



TEXAS
INSTRUMENTS

TSP50C4X Family
Speech Synthesizers

Design Manual

Design Manual

TSP50C4X Family

1990

Linear Products

1990

Linear Products Data Book Guide

| Data Book | Contents | Document No. |
|--|--|---------------------|
| ● Linear Circuits Vol 1 Amplifiers, Comparators, and Special Functions | Operational Amplifiers Voltage Comparators Video Amplifiers Hall-Effect Devices Timers and Current Mirrors Magnetic-Memory Interface Frequency-to-Voltage Converters Sonar Ranging Circuits/Modules Sound Generators | SLYD003 1989 |
| ● Linear Circuits Vol 2 Data Acquisition and Conversion | A/D and D/A Converters DSP Analog Interface Analog Switches and Multiplexers Switched-Capacitor Filters | SLYD004 1989 |
| ● Linear Circuits Vol 3 Voltage Regulators and Supervisors | Supervisor Functions Series-Pass Voltage Regulators Shunt Regulators Voltage References DC-to-DC Converters PWM Controllers | SLYD005 1989 |
| ● Telecommunications Circuits | Equipment Line Interfaces Subscriber Line Interfaces Modems and Receivers/Transmitters Ringers, Detectors, Tone Encoders PCM Interface Transient Suppressors | SCTD001A 1988/89 |
| ● Optoelectronics and Image Sensors | Optocouplers CCD Image Sensors and Support Phototransistors IR-Emitting Diodes Hybrid Displays | SOYD002A 1990 |
| ● Interface Circuits | High-Voltage (Display) Drivers High-Power (Peripheral/Motor) Drivers Line Drivers, Receivers, Transceivers EIA RS-232, RS-422, RS-423, RS-485 IBM 360/370, IEEE 802.3, CCITT Military Memory Interface | SLYD002 1987 |
| ● Speech System Manuals | TSP50C4X Family | SPSS010 1990 |

***TSP50C4X Family
Speech Synthesizers
Design Manual***



IMPORTANT NOTICE

Texas Instruments (TI) reserves the right to make changes to or to discontinue any semiconductor product or service identified in this publication without notice. TI advises its customers to obtain the latest version of the relevant information to verify, before placing orders, that the information being relied upon is current.

TI warrants performance of its semiconductor products to current specifications in accordance with TI's standard warranty. Testing and other quality control techniques are utilized to the extent TI deems necessary to support this warranty. Unless mandated by government requirements, specific testing of all parameters of each device is not necessarily performed.

TI assumes no liability for TI applications assistance, customer product design, software performance, or infringement of patents or services described herein. Nor does TI warrant or represent that any license, either express or implied, is granted under any patent right, copyright, mask work right, or other intellectual property right of TI covering or relating to any combination, machine, or process in which such semiconductor products or services might be or are used.

Contents

| <i>Section</i> | <i>Title</i> | <i>Page</i> |
|----------------|--------------------------------------|-------------|
| 1 | Introduction | 1-1 |
| 1.1 | Applications | 1-1 |
| 1.2 | Description | 1-2 |
| 1.3 | Features | 1-3 |
| 1.4 | Device Comparison | 1-3 |
| 1.5 | Masked Options | 1-3 |
| 1.6 | Pin Assignment and Description | 1-5 |
| 1.7 | Introduction to LPC | 1-11 |
| 1.7.1 | The Vocal Tract | 1-11 |
| 1.7.2 | The LPC Model | 1-11 |
| 1.7.3 | LPC Data Compression | 1-12 |
| 2 | TSP50C4X Architecture | 2-1 |
| 2.1 | ROM | 2-2 |
| 2.2 | Program Counter | 2-3 |
| 2.3 | Program Counter Stack | 2-3 |
| 2.4 | RAM | 2-3 |
| 2.5 | ALU | 2-4 |
| 2.6 | A Register | 2-4 |
| 2.7 | X Register | 2-4 |
| 2.8 | B Register | 2-5 |
| 2.9 | Status Flag | 2-5 |
| 2.10 | Timer Register | 2-5 |
| 2.11 | Timer Prescale Register | 2-6 |
| 2.12 | Pitch Register | 2-6 |
| 2.13 | Speech Address Register | 2-6 |
| 2.14 | Parallel-to-Serial Register | 2-7 |
| 2.15 | Interface Logic | 2-7 |
| 2.16 | Port A (Master Option) | 2-7 |
| 2.17 | Port A (Slave Option) | 2-8 |
| 2.18 | Port B | 2-8 |
| 2.19 | Port C | 2-8 |
| 2.20 | Port D | 2-8 |
| 2.21 | <u>IRT</u> Pin | 2-9 |

Contents (Continued)

| <i>Section</i> | <i>Title</i> | <i>Page</i> |
|----------------|---|-------------|
| 2.22 | Speech Synthesizer | 2-9 |
| 2.22.1 | Use of RAM by the Synthesizer | 2-10 |
| 2.22.2 | Context Switch | 2-12 |
| 2.22.3 | Interpolation | 2-12 |
| 2.22.4 | Timing Requirements | 2-12 |
| 2.22.5 | Voicing Control | 2-15 |
| 2.22.6 | Frame Length Control | 2-15 |
| 2.22.7 | Digital-to-Analog Converter and Output Buffer | 2-15 |
| 3 | Electrical Specifications | 3-1 |
| 3.1 | Absolute Maximum Ratings Over Free-Air Temperature Range | 3-1 |
| 3.2 | Recommended Operating Characteristics—DC | 3-1 |
| 3.3 | Recommended Operating Characteristics—AC | 3-1 |
| 3.4 | Electrical Characteristics | 3-2 |
| 3.5 | Oscillator | 3-2 |
| 3.6 | Direct Speaker Driver | 3-3 |
| 4 | TSP50C4X Assembler | 4-1 |
| 4.1 | Source Statement Format | 4-1 |
| 4.1.1 | Label Field | 4-2 |
| 4.1.2 | Command Field | 4-2 |
| 4.1.3 | Operand Field | 4-2 |
| 4.1.4 | Comment Field | 4-2 |
| 4.2 | Constants | 4-2 |
| 4.2.1 | Decimal Integer Constants | 4-3 |
| 4.2.2 | Binary Integer Constants | 4-3 |
| 4.2.3 | Hexadecimal Integer Constants | 4-3 |
| 4.2.4 | Character Constants | 4-3 |
| 4.2.5 | Assembly-Time Constants | 4-4 |
| 4.3 | Symbols | 4-4 |
| 4.3.1 | Predefined Symbol “\$” | 4-4 |
| 4.3.2 | Character String | 4-5 |
| 4.4 | Expressions | 4-5 |
| 4.4.1 | Arithmetic Operators in Expressions | 4-5 |
| 4.4.2 | Parentheses in Expressions | 4-5 |
| 4.5 | Invoking the Assembler | 4-6 |
| 4.5.1 | Assembler Input and Output Files | 4-6 |
| 4.5.2 | Assembly Source File | 4-6 |

Contents (Continued)

| <i>Section</i> | <i>Title</i> | <i>Page</i> |
|----------------|---|-------------|
| 4.5.3 | Assembly Binary Object File | 4-6 |
| 4.5.4 | Assembly Tagged Object File | 4-7 |
| 4.5.5 | Assembly Listing File | 4-7 |
| 4.6 | Options and Switches | 4-7 |
| 4.6.1 | Command Line Options | 4-7 |
| 4.6.1.1 | BYTE Unlist Option | 4-8 |
| 4.6.1.2 | DATA Unlist Option | 4-8 |
| 4.6.1.3 | XREF Unlist Option | 4-8 |
| 4.6.1.4 | TEXT Unlist Option | 4-8 |
| 4.6.1.5 | WARNING Unlist Option | 4-8 |
| 4.6.1.6 | 8K Assembly Mode Option | 4-8 |
| 4.6.2 | Complete XREF Switch | 4-9 |
| 4.6.3 | Object Module Switch | 4-9 |
| 4.6.4 | Listing File Switch | 4-9 |
| 4.6.5 | Page Eject Disable Switch | 4-9 |
| 4.6.6 | Error to Screen Switch | 4-9 |
| 4.6.7 | Binary Code File Disable Switch | 4-9 |
| 4.7 | Assembler Directives | 4-10 |
| 4.7.1 | AORG Directive | 4-11 |
| 4.7.2 | BYTE Directive | 4-12 |
| 4.7.3 | BES Directive | 4-12 |
| 4.7.4 | BSS Directive | 4-13 |
| 4.7.5 | COPY Directive | 4-13 |
| 4.7.6 | DATA Directive | 4-13 |
| 4.7.7 | EQU Directive | 4-14 |
| 4.7.8 | EVEN Directive | 4-14 |
| 4.7.9 | END Directive | 4-15 |
| 4.7.10 | IDT Directive | 4-15 |
| 4.7.11 | LIST Directive | 4-16 |
| 4.7.12 | OPTION Directive | 4-16 |
| 4.7.12.1 | BUNLST | 4-16 |
| 4.7.12.2 | DUNLST | 4-17 |
| 4.7.12.3 | FUNLST | 4-17 |
| 4.7.12.4 | LSTUNL | 4-17 |
| 4.7.12.5 | OBJUNL | 4-17 |
| 4.7.12.6 | PAGEOF | 4-17 |
| 4.7.12.7 | RXREF | 4-17 |
| 4.7.12.8 | SCRNOF | 4-17 |

Contents (Continued)

| <i>Section</i> | <i>Title</i> | <i>Page</i> |
|----------------|------------------------------|-------------|
| 4.7.12.9 | TUNLST | 4-17 |
| 4.7.12.10 | WARNOF | 4-17 |
| 4.7.12.11 | XREF | 4-18 |
| 4.7.12.12 | 8KASM | 4-18 |
| 4.7.12.13 | 990 | 4-18 |
| 4.7.13 | PAGE Directive | 4-18 |
| 4.7.14 | RBYTE Directive | 4-18 |
| 4.7.15 | RDATA Directive | 4-19 |
| 4.7.16 | RTEXT Directive | 4-19 |
| 4.7.17 | TEXT Directive | 4-20 |
| 4.7.18 | TITL Directive | 4-20 |
| 4.7.19 | UNL Directive | 4-21 |
| 5 | Instruction Set | 5-1 |
| 5.1 | Instruction Format | 5-3 |
| 5.2 | ACAA | 5-4 |
| 5.3 | AMAAC | 5-5 |
| 5.4 | ANEC | 5-6 |
| 5.5 | BR | 5-7 |
| 5.6 | CALL | 5-8 |
| 5.7 | CLA | 5-9 |
| 5.8 | CLB | 5-10 |
| 5.9 | CLX | 5-11 |
| 5.10 | DECMC | 5-12 |
| 5.11 | EXTRM | 5-13 |
| 5.12 | EXTSG | 5-14 |
| 5.13 | GET | 5-15 |
| 5.14 | IBC | 5-17 |
| 5.15 | INCMC | 5-18 |
| 5.16 | INTD | 5-19 |
| 5.17 | INTE | 5-20 |
| 5.18 | INTGR | 5-21 |
| 5.19 | INTRM | 5-22 |
| 5.20 | IXC | 5-23 |
| 5.21 | LUAA | 5-24 |
| 5.22 | LUSPS | 5-25 |
| 5.23 | POP | 5-26 |

Contents (Continued)

| <i>Section</i> | <i>Title</i> | <i>Page</i> |
|----------------|-----------------|-------------|
| 5.24 | RBITM | 5-27 |
| 5.25 | RETI | 5-28 |
| 5.26 | RETN | 5-29 |
| 5.27 | RSECT | 5-30 |
| 5.28 | RSRDY | 5-31 |
| 5.29 | SALA | 5-32 |
| 5.30 | SARA | 5-33 |
| 5.31 | SBITM | 5-34 |
| 5.32 | SBR | 5-35 |
| 5.33 | SETOF | 5-36 |
| 5.34 | SMAAN | 5-37 |
| 5.35 | START | 5-38 |
| 5.36 | STOP | 5-39 |
| 5.37 | TAPA | 5-40 |
| 5.38 | TAPB | 5-41 |
| 5.39 | TAPD | 5-42 |
| 5.40 | TAM | 5-43 |
| 5.41 | TAPRF | 5-44 |
| 5.42 | TAPSC | 5-45 |
| 5.43 | TASH | 5-46 |
| 5.44 | TASL | 5-47 |
| 5.45 | TAV | 5-48 |
| 5.46 | TAX | 5-49 |
| 5.47 | TBA | 5-50 |
| 5.48 | TBITA | 5-51 |
| 5.49 | TBITM | 5-52 |
| 5.50 | TCX | 5-53 |
| 5.51 | TMA | 5-54 |
| 5.52 | TMAIX | 5-55 |
| 5.53 | TMEDA | 5-56 |
| 5.54 | TPAA | 5-57 |
| 5.55 | TPAM | 5-58 |
| 5.56 | TPCA | 5-59 |
| 5.57 | TTMA | 5-60 |
| 5.58 | TXA | 5-61 |
| 5.59 | TXPA | 5-62 |
| 5.60 | TXTM | 5-63 |
| 5.61 | XBX | 5-64 |
| 5.62 | XGEC | 5-65 |

Contents (Concluded)

| <i>Section</i> | <i>Title</i> | <i>Page</i> |
|----------------|--|-------------|
| 6 | Applications | 6-1 |
| 6.1 | Synthesizer Control | 6-1 |
| 6.1.1 | Speech Coding and Decoding | 6-1 |
| 6.1.2 | RAM Usage | 6-4 |
| 6.1.3 | ROM Usage | 6-6 |
| 6.1.4 | Program Overview | 6-7 |
| 6.1.5 | Calling the Synthesis Program | 6-8 |
| 6.1.6 | Synthesis Program Walkthrough | 6-11 |
| 6.2 | Arithmetic Modes | 6-18 |
| 6.3 | Standby Mode | 6-19 |
| 6.4 | Slave Option | 6-20 |
| 6.5 | TSP60CXX Interface | 6-22 |
| 6.5.1 | Initialization | 6-23 |
| 6.5.2 | Using Internal and External Data Alternately | 6-25 |
| 6.5.3 | TSP60CXX Power Down | 6-26 |
| 6.6 | Use of the TMEDA Instruction | 6-26 |
| 6.7 | Use of Timer, Prescaler, Interrupt and $\overline{\text{IRT}}$ Pin | 6-27 |
| 6.8 | Use of the Stack | 6-28 |
| 7 | Customer Information | 7-1 |
| 7.1 | Production Flow | 7-1 |
| 7.2 | Summary of Speech Development/Production Sequence | 7-2 |
| 7.3 | Mechanical Data | 7-3 |
| 7.4 | IC Sockets | 7-6 |
| 7.5 | Ordering Information | 7-7 |
| 7.6 | New Product Release Forms | 7-8 |
| A | Script Preparation and Speech Development Tools | A-1 |
| B | TSP50C4X Synthesis Program | B-1 |
| C | Program to Initialize the TSP60C20 Speech ROM | C-1 |

List of Illustrations

| <i>Figure</i> | <i>Title</i> | <i>Page</i> |
|---------------|--|-------------|
| 1-1 | TSP50C4X Applications | 1-1 |
| 1-2 | Block Diagram | 1-2 |
| 1-3 | Pin Assignments | 1-5 |
| 1-4 | LPC-10 Vocal Tract Model | 1-12 |
| 2-1 | System Block Diagram | 2-1 |
| 2-2 | ROM Map | 2-2 |
| 2-3 | I/O Data Bus (PA0-PA7) | 2-9 |
| 2-4 | RAM Map During Speech Generation | 2-11 |
| 2-5 | Initialization Timing | 2-12 |
| 2-6 | Write Timing Diagram | 2-13 |
| 2-7 | Read Timing Diagram | 2-14 |
| 3-1 | Typical Phase Shift Oscillator Connections | 3-2 |
| 3-2 | Typical Direct Speaker Drive Connection | 3-3 |
| 6-1 | TSP5220 Frame Decoding | 6-2 |
| 6-2 | Speech Parameter Unpacking and Decoding | 6-3 |
| 6-3 | ALU Modes | 6-19 |
| 6-4 | Read Operation | 6-21 |
| 6-5 | Write Operation | 6-22 |
| 6-6 | TSP50C4X/TSP60C19 Interface | 6-23 |
| 6-7 | TSP50C4X/TSP60C20 Interface | 6-24 |
| 7-1 | Speech Development Cycle | 7-1 |
| 7-2 | 28-Pin N2 Plastic Package | 7-3 |
| 7-3 | 40-Pin N2 Plastic Package | 7-4 |
| 7-4 | 28-Pin FN PLCC | 7-5 |
| 7-5 | Shrink Package | 7-6 |

List of Tables

| <i>Table</i> | <i>Title</i> | <i>Page</i> |
|--------------|---|-------------|
| 1-1 | TSP50C4X Device Comparison | 1-3 |
| 1-2 | Pin Function Description of Port A for Three Mask Options | 1-6 |
| 1-3 | Pin Function Description of Port B for External or Internal ROM Modes | 1-7 |
| 1-4 | Pin Function Description of Port C for Two Mask Options | 1-8 |
| 1-5 | Pin Function Description of Port D | 1-9 |
| 1-6 | Pin Function Description of \overline{IRT} (Several Options), OSC and DA | 1-10 |
| 2-1 | Initialization Timing | 2-12 |
| 2-2 | Timing Requirements | 2-12 |
| 2-3 | Write Timing Requirements | 2-13 |
| 2-4 | Read Timing Requirements | 2-14 |
| 4-1 | Switches and Options | 4-10 |
| 4-2 | Summary of Assembler Directives | 4-11 |
| 5-1 | TSP50C4X Instruction Set | 5-1 |
| 6-1 | Synthesizer RAM Addresses | 6-5 |
| 6-2 | Buffer and Control RAM Usage | 6-6 |
| 6-3 | ROM Usage | 6-7 |

1 Introduction

The TSP50C4X family of speech synthesizers consists of the following four devices: TSP50C41, TSP50C42, TSP50C43, and TSP50C44. In each of these, an 8-bit microprocessor, a programmable speech synthesizer, and ROM are combined to provide a one-chip solution for many applications. The devices use Linear Predictive Coding (LPC) to generate speech at a low data rate. Mask options are also available to provide design flexibility.

This section consists of a brief overview of the TSP50C4X family. It begins with a summary of applications, key features, and a comparison of the devices, followed by a discussion on mask options and pin descriptions. Also included is an introduction to Linear Predictive Coding.

1.1 Applications

As illustrated in Figure 1-1, the TSP50C4X devices are versatile and can be used in many applications.

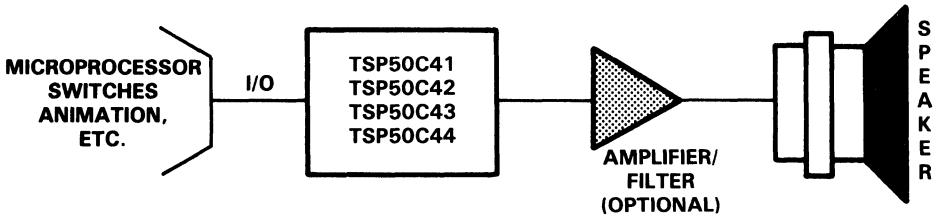


Figure 1-1. TSP50C4X Applications

Typical applications include:

Telecom

PABX
Telephone Management

Security

Home Monitors
Navigation Aids

Computer

Analyzers
Office Computers
Personal Computers

Industrial

Inspection Controls
Inventory Controls
Machine Controls
Warehouse Systems

Automotive

Clock Systems
Warning Systems

Consumer

Appliances
Mailboxes
Toys

Medical

Equipment for
the Handicapped

Educational

Learning Aids
Computer Aided
Instructions

1.2 Description

The TSP50C4X device can be divided into several functional blocks (Figure 1-2). The two main blocks are the microcomputer and the speech synthesizer, which share RAM and timing circuits.

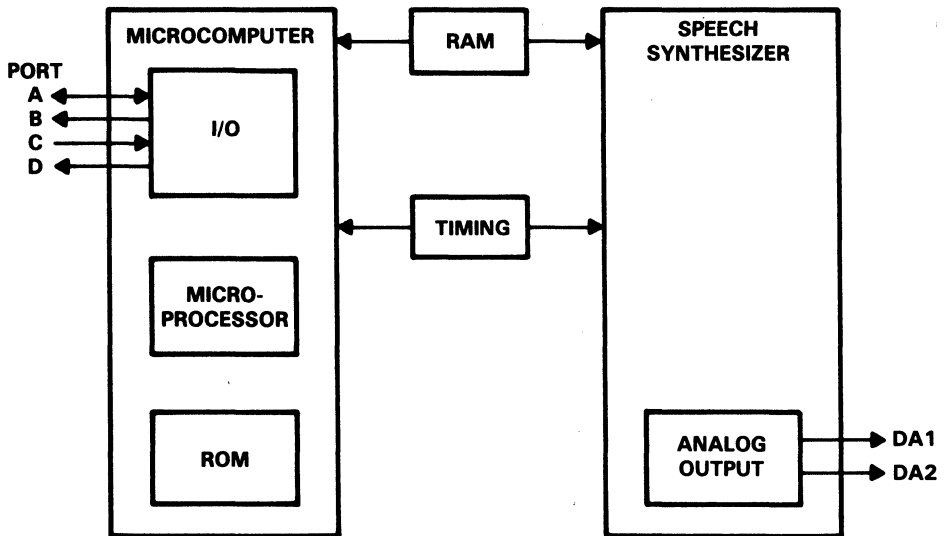


Figure 1-2. Block Diagram

These devices implement an LPC-10 speech synthesis algorithm using a 10-pole lattice filter. The internal microprocessor accesses speech data from the internal or external ROM (TSP60CXX), decodes the speech data and sends the decoded data to the synthesizer. The output of the synthesizer can be used to drive a small speaker directly or, with an external filter and amplifier, to drive a large speaker.

1.3 Features

- Programmable LPC-10 Speech Synthesizer
- 8-Bit Microprocessor with 61 Instructions
- 128 Bytes plus 16 Nibbles of RAM
- 4-V to 6-V CMOS Technology for Low Power Dissipation
- High-Efficiency Push-Pull Pulse-Width-Modulated Digital-to-Analog Output that can Drive a Speaker Directly
- 10-kHz or 8-kHz Speech Sample Rate
- 8K Byte or 16K Byte ROM, 21- or 33-pin I/O
- Mask Options
- External Event Counter/Internal Timer

1.4 Device Comparison

Table 1-1. TSP50C4X Device Comparison

| | TSP50C41 | TSP50C42 | TSP50C43 | TSP50C44 |
|-------------|----------|----------|----------|----------|
| ROM (Bytes) | 8K | 8K | 16K | 16K |
| I/O pins* | 21 | 33 | 21 | 33 |
| 8-bit ports | 2 1/2 | 4 | 2 1/2 | 4 |
| No. of pins | 28 | 40 | 28 | 40 |

*I/O pins include the IRT pin.

1.5 Mask Options

The designer may choose from five basic mask options depending on the application. For instance, the master option is designed for single-chip applications in which the host is the internal microprocessor. The slave option is intended for use in multichip systems in which the host microprocessor is external as shown in Section 7. The mask options are as follows:

1. MASTER or SLAVE option
 - a. MASTER option
Port A (PA1-PA8) is a general purpose input/output port.
 - b. SLAVE option
Port A can be controlled by an external processor.
Port C (PC0-PC3) pins are programmed to be interface control pins RDY, ENA1, ENA2 and R/W.

2. $\overline{\text{IRT}}$ INPUT or OUTPUT option
 - a. $\overline{\text{IRT}}$ INPUT option
 $\overline{\text{IRT}}$ is an input that can be software selected by a TTMA command to be a clock signal for the timer prescale register. The $\overline{\text{IRT}}$ pin is unused if the internal clock is selected by a RSECT software command.
 - b. $\overline{\text{IRT}}$ OUTPUT option
 $\overline{\text{IRT}}$ is an output that indicates that the data output on port A is stable.
3. KEYBOARD or NORMAL option
 - a. KEYBOARD option
 Port A is split so that PA0-PA3 will be output pins and PA4-PA7 will be input pins. PC0 is not used and PC1-PC3 are tied low. This is referred to as the keyboard scan option since it is optimally configured for scanning a 4 × 4 keyboard.
 - b. NORMAL option
 Port A is configured as an 8-bit I/O port.
4. ROM 8K or ROM 4K option
 - a. ROM 8K option
 Allows the microprocessor software program to use 8K bytes of internal ROM for program instructions. Remaining ROM is available for other uses. Branches and calls must have even destination addresses (LSB = 0).
 - b. ROM 4K option
 Limits the microprocessor program to the first 4K bytes of internal ROM for program instructions. Remaining ROM is available.
5. SETOFF DISABLED or ENABLED option
 - a. SETOFF DISABLED
 Disables the software "Setoff" command and causes it to act as a "NOP".
 - b. SETOFF ENABLED
 Enables the "Setoff" command. The microprocessor puts the TSP50C4X device in the low-power standby by executing the "Setoff" command. The external circuitry takes the chip out of the standby option by driving the $\overline{\text{INIT}}$ pin to a low state and then back to a high state.

When the master option is selected, the NORMAL and $\overline{\text{IRT}}$ input options are pre-selected. When the slave option is selected, all of the remaining options are available.

The TSP50C4X devices have additional I/O mask options to minimize the system parts count. Each pin on Ports A and C can be individually programmed to have a pull-up resistor. Ports B and D can be programmed in blocks of 4 to have open-drain outputs, that is, the pull-up device can be disabled. The blocks are B0-3, B4-7, D0-3, and D4-7.

1.6 Pin Assignment and Description

Figure 1-3 shows the pin assignments for the TSP50C41/43 and the TSP50C42/44. Tables 1-1 and 1-2 provide pin function descriptions.

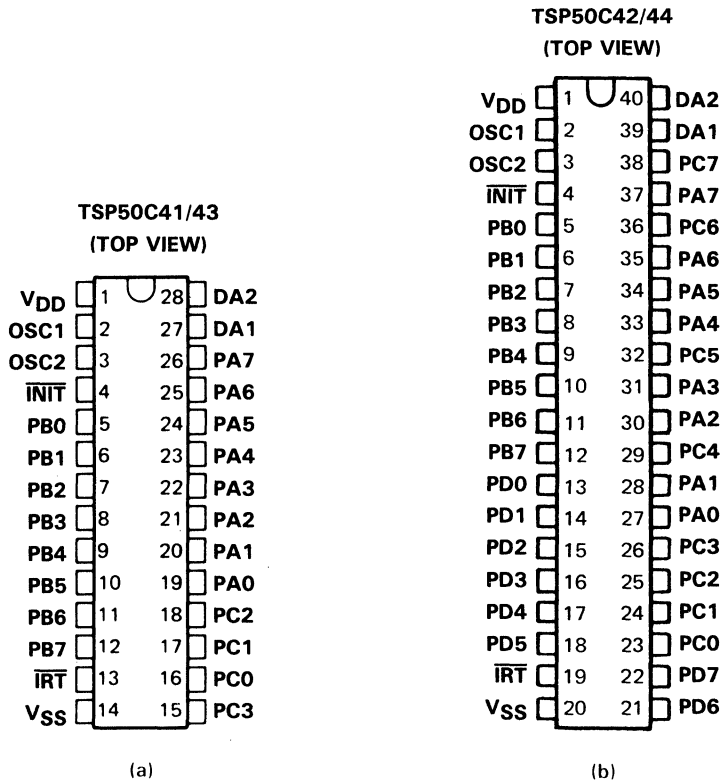


Figure 1-3. Pin Assignments

Table 1-2. Pin Function Description of Port A for Three Mask Options

| PIN NAME | PIN NO. | | I/O | DESCRIPTION |
|---|--|--|--|---|
| | '50C41 '50C43 | '50C42 '50C44 | | |
| [MASTER option] PA0 (LSB) PA1 PA2 PA3 PA4 PA5 PA6 PA7 (MSB) | 19 20 21 22 23 24 25 26 | 27 28 30 31 33 34 35 37 | I/O I/O I/O I/O I/O I/O I/O I/O | Port A is a general purpose bi-directional port that is controlled by the internal microprocessor. |
| [SLAVE/NORMAL option] PA0 (LSB) PA1 PA2 PA3 PA4 PA5 PA6 PA7 (MSB) | 19 20 21 22 23 24 25 26 | 27 28 30 31 33 34 35 37 | I/O I/O I/O I/O I/O I/O I/O I/O | Port A is an interface between the internal and external microprocessor. PC0-PC3 are configured as Ready. Enable and Read/Write control pins for interface. |
| [SLAVE/KEYBOARD opt] PA0 (LSB) PA1 PA2 PA3 PA4 PA5 PA6 PA7 (MSB) | 19 20 21 22 23 24 25 26 | 27 28 30 31 33 34 35 37 | O O O O I I I I | Port A is configured so that PA0-PA3 are outputs and pins PA4-PA7 are inputs. This configuration is optimal for scanning a 4x4 keyboard. The RDY signal is not used. The ENA1, ENA2 and R/W should be tied low. |

Table 1-3. Pin Function Description of Port B for External and Internal ROM Modes

| PIN NAME | PIN NO. | | I/O | DESCRIPTION |
|---------------------|------------------|------------------|-----|---|
| | '50C41 '50C43 | '50C42 '50C44 | | |
| [INTERNAL ROM mode] | | | | |
| PB0 (LSB) | 5 | 5 | O | The INTERNAL ROM mode is initiated by the INTRM software command. Port B is an output port controlled by the internal micro-processor. This port is put into the INTERNAL ROM mode on power-up and when the INIT pin is low. These two events also cause the port's outputs to latch low. |
| PB1 | 6 | 6 | O | |
| PB2 | 7 | 7 | O | |
| PB3 | 8 | 8 | O | |
| PB4 | 9 | 9 | O | |
| PB5 | 10 | 10 | O | |
| PB6 | 11 | 11 | O | |
| PB7 (MSB) | 12 | 12 | O | |
| [EXTERNAL ROM mode] | | | | |
| M0 | 5 | 5 | O | The EXTERNAL ROM mode is initiated by a EXTRM software command. Port B is configured as an interface to a TSP60CXX vocabulary ROM. Vocabulary ROM mode control |
| M1 | 6 | 6 | O | Vocabulary ROM mode control |
| ADD1 | 7 | 7 | O | Vocabulary ROM address weight 1 |
| ADD2 | 8 | 8 | O | Vocabulary ROM address weight 2 |
| ADD4 | 9 | 9 | O | Vocabulary ROM address weight 4 |
| ADD8 | 10 | 10 | O | Vocabulary ROM address weight 8 |
| ROMCLK | 11 | 11 | O | Clock output to the vocabulary ROM. Oscillator divided by 16. |
| RDIN | 12 | 12 | I | Vocabulary ROM data input |

Table 1-4. Pin Function Description of Port C for Two Mask Options

| PIN NAME | PIN NO. | | I/O | DESCRIPTION |
|---|------------------|------------------|-----|--|
| | '50C41 '50C43 | '50C42 '50C44 | | |
| [SLAVE option] $\overline{\text{RDY}}$ | 15 | 23 | O | When active (low), Port A is ready to receive data from an external microprocessor. $\overline{\text{RDY}}$ is set high when the $\overline{\text{ENA2}}$ pin is pulled low. If the external processor is not holding $\overline{\text{ENA2}}$ low, then an RSRDY software command will reset $\overline{\text{RDY}}$ low. Status of the pin can be evaluated by the TPCA* instruction. |
| $\overline{\text{ENA1}}$ | 16 | 24 | I | Enables the reading or writing of Port A data PA0-PA7 Read mode ($\text{R}/\overline{\text{W}}$ high) $\overline{\text{ENA1}}$: Most significant nibble of Port A latch is put on the bus PA4-PA7 while $\overline{\text{ENA1}}$ is low. When $\overline{\text{ENA1}}$ goes low, $\overline{\text{IRT}}$ goes high. $\overline{\text{ENA2}}$: Least significant nibble of Port A latch is put on the bus PA0-PA3 while $\overline{\text{ENA2}}$ is low. Write mode ($\text{R}/\overline{\text{W}}$ low) $\overline{\text{ENA1}}$: Most significant nibble on the data bus PA4-PA7 is strobed in the Port A latch when $\overline{\text{ENA1}}$ goes from low to high. $\overline{\text{ENA2}}$: Least significant nibble on the data bus PA0-PA3 is strobed in the Port A latch when $\overline{\text{ENA2}}$ goes from low to high. |
| $\overline{\text{ENA2}}$ | 17 | 25 | I | |
| $\text{R}/\overline{\text{W}}$ | 18 | 26 | I | Determines the direction of the Port A data bus: $\text{R}/\overline{\text{W}}$ = high; data in the Port A latch is available to the external bus. $\text{R}/\overline{\text{W}}$ = low; data on the external bus is written into the Port A latch. |
| [MASTER option] PC0 (LSB) | 16 | 23 | I | General-purpose input |
| PC1 | 17 | 24 | I | |
| PC2 | 18 | 25 | I | |
| PC3 | 15 | 26 | I | |
| [MASTER or SLAVE] PC4 | | 29 | I | General-purpose input |
| PC5 | | 32 | I | |
| PC6 | | 36 | I | |
| PC7 (MSB) | | 38 | I | |

Note: If an external driving circuit is used, it should not be allowed to go into high impedance.

*Refer to Table 5-1 for more information.

Table 1-5. Pin Function Description for Port D

| PIN NAME | PIN NO. | | I/O | DESCRIPTION |
|-----------|------------------|------------------|-----|-----------------------------|
| | '50C41 '50C43 | '50C42 '50C44 | | |
| PD0 (LSB) | | 13 | O | General-purpose output port |
| PD1 | | 14 | O | |
| PD2 | | 15 | O | |
| PD3 | | 16 | O | |
| PD4 | | 17 | O | |
| PD5 | | 18 | O | |
| PD6 | | 21 | O | |
| PD7 (MSB) | | 22 | O | |

Table 1-6. Pin Function Description of \overline{IRT} (several options), \overline{INIT} , OSC, and DA

| PIN NAME | PIN NO. | | I/O | DESCRIPTION |
|--|------------------|------------------|-----|---|
| | '50C41 '50C43 | '50C42 '50C44 | | |
| [MASTER/ \overline{IRT} IN OPTION] \overline{IRT} | 13 | 19 | I | Interrupt input when programmed by a TTMA software command to be an input to the timer prescale register. |
| [SLAVE/ \overline{IRT} IN OPTION] \overline{IRT} | 13 | 19 | I | Interrupt input when programmed by a TTMA software command to be an input to the timer prescale register. |
| [SLAVE/ \overline{IRT} OUT OPTION] \overline{IRT} | 13 | 19 | O | Ready for data output. \overline{IRT} goes high when $\overline{ENA1}$ is pulled low by external processor while pin R/ \overline{W} is high. \overline{IRT} goes low when data are put into Port A with the TAPA* instruction. Software command TPCA can be used to read the data on the \overline{IRT} pin. |
| DA1 | 27 | 39 | O | Positive digital-to-analog converter output (PWM) |
| DA2 | 28 | 40 | O | Negative digital-to-analog converter output (PWM) |
| \overline{INIT} | 4 | 4 | I | Initialize input; when low, device is initialized and goes into the low-power mode, Port B and Port D outputs are latched low. Port A is put into input mode. When \overline{INIT} goes from low to high, the program counter is loaded with zeroes. |
| OSC1 | 2 | 2 | I | Clock input. Crystal or ceramic resonator between OSC1 and OSC2: 3.07-MHz crystal/ceramic resonator for 8-kHz sampling rate 3.84-MHz crystal/ceramic resonator for 10-kHz sampling rate |
| OSC2 | 3 | 3 | O | Clock return |
| V _{DD} | 1 | 1 | I | 5-V nominal supply voltage |
| V _{SS} | 14 | 20 | I | Ground |

*Refer to Table 5-1 for more information.

1.7 Introduction to LPC

The LPC-10 system uses a mathematical model of the human vocal tract to enable efficient digital storage and the recreation of realistic speech. To understand LPC (Linear Predictive Coding), it is essential to understand how the vocal tract works. This introduction, therefore, begins with a short description of the vocal tract. The LPC model and data compression techniques are then addressed. A short discussion of the techniques and pitfalls of collecting, analyzing, and editing speech for LPC synthesis is included in Appendix A. For more information, contact your TI field sales representative or regional technology center.

1.7.1 The Vocal Tract

Speech is the result of the interaction between three elements in the vocal tract: air from the lungs, a restriction which converts the air flow to sound, and the vocal cavities that are positioned to resonate properly.

The air from the lungs is expelled through the vocal tract when the muscles of the chest and diaphragm are compressed. Pressure is used as a volume control, higher pressure for louder speech.

As air flows through the vocal tract, it makes very little sound if there is no restriction. The vocal cords are one type of restriction. They can be tightened across the vocal tract to stop the flow of air. Pressure builds up behind them and forces them open. This happens over and over, generating a series of pulses. The tension on the vocal cords can be varied to change the frequency of the pulses. Many speech sounds are produced by this type of restriction, for example, the "A" sound. This is called "voiced" speech.

A different type of restriction takes place in the mouth and causes a hissing sound called white noise. The "S" sound is a good example. This occurs when the tongue and some part of the mouth are in close contact or when the lips are pursed. This restriction causes high flow velocities which cause turbulence that produces white noise. This is called "unvoiced" speech.

The pulses from the vocal cords and the noise from the turbulence have fairly broad, flat spectral characteristics. In other words, they are really noise, not speech. The shape of the oral cavity changes noise into recognizable speech. The position of the tongue, the lips and the jaws change the resonance of the vocal tract, shaping the raw noise of restricted air flow into understandable sounds.

1.7.2 The LPC Model

The LPC model incorporates elements analogous to each of the elements of the vocal tract described above. It has an excitation function generator that models both types of restriction, a gain multiplication stage to model the possible levels of pressure from the lungs, and a digital filter to model the resonance in the oral and nasal cavities.

Figure 1-4 shows the LPC model in schematic form. The excitation function generator accepts coded pitch information as an input and can generate a series of pulses similar to vocal cord pulses. It can also generate white noise. The waveform is then multiplied by an energy factor that corresponds to the pressure from the lungs. Finally, the signal is passed through a digital filter that models the shape of the oral cavity. In the TSP50C4X family, this filter has ten poles, so the synthesis is referred to as LPC-10.

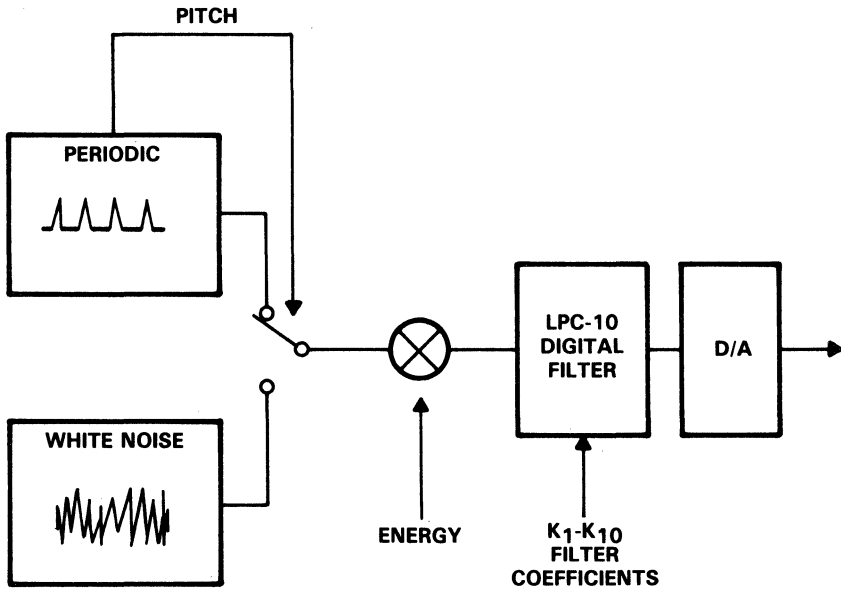


Figure 1-4. LPC-10 Vocal Tract Model

1.7.3 LPC Data Compression

The data compression for LPC-10 takes advantage of other characteristics of speech. Speech changes fairly slowly, and the oral and nasal cavities tend to fall into certain areas of resonance more than others. The speech is analyzed in frames that are generally from 10 to 25 ms long. The inputs to the model are calculated as an average for the entire frame. The synthesizer smooths or interpolates the data during the frame, so there isn't an abrupt transition at the end of each frame. Often speech changes even more slowly than the frame. TI's LPC model allows for a repeat frame, where the only values changed are the pitch and the energy. The filter coefficients are kept constant from the previous frame. To take advantage of the recurrent nature of resonance in the oral cavity, all the coefficients are encoded, with anywhere from seven to three bits for each coefficient. The coding table is designed so that more coverage is given to the coefficient values that occur frequently.

2 TSP50C4X Family Architecture

The major components of the TSP50C4X devices are a speech synthesizer, an 8-bit microprocessor, an internal 8K-byte (TSP50C41/42) or 16K-byte (TSP50C43/44) ROM and interface logic (I/O) as shown in Figure 2-1. Instructions are fetched by the microprocessor from the ROM approximately every 9 μ s (oscillator frequency divided by 32) and are used to control the algorithm sequences. To generate speech, the processor accesses speech data from either the internal 8K-byte ROM or an external speech ROM. Once the data has been read, the processor must unpack and decode the individual speech parameters and store the results in a dedicated section of the RAM.

The I/O consists of one 8-bit bidirectional port (Port A), two 8-bit output ports (Port B and Port D), one 8-bit input port (Port C) and an $\overline{\text{IRT}}$ pin. These ports are under the control of the microprocessor and are configured by mask options.

The synthesizer shares access to the RAM and addresses the individual parameter locations as needed when generating speech. The speech synthesizer performs parameter smoothing and pitch period control as well as lattice filter computations.

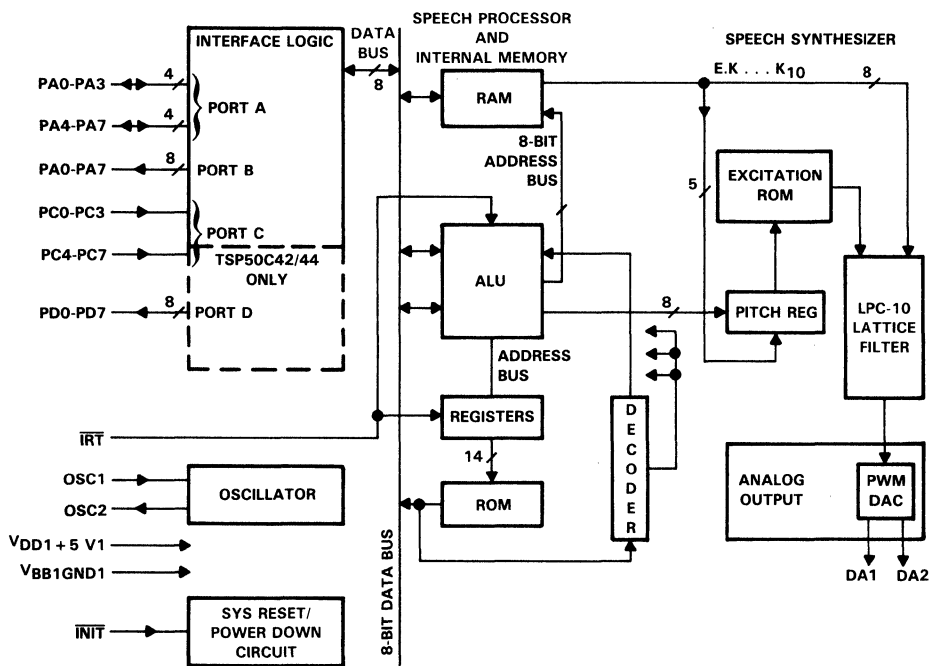
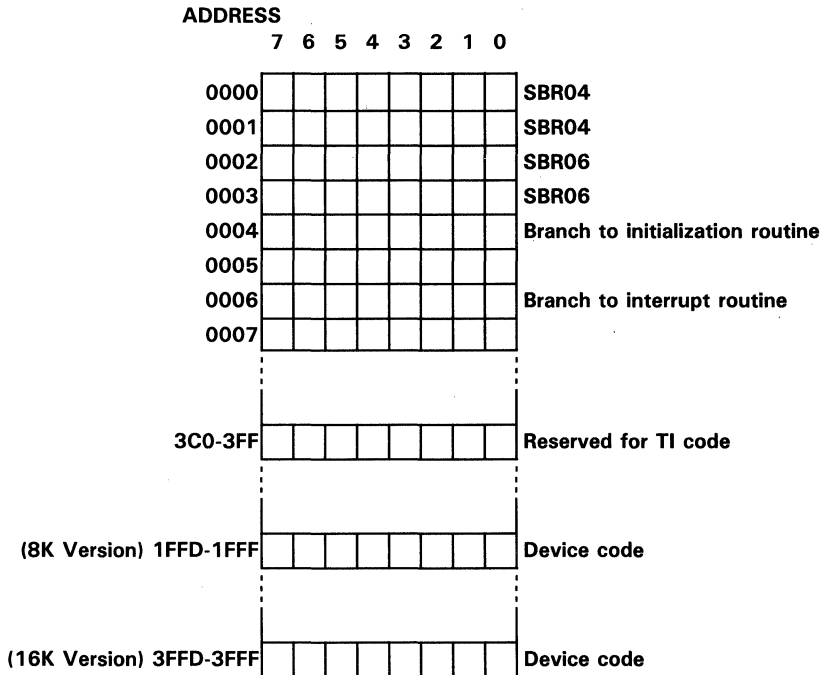


Figure 2-1. System Block Diagram

2.1 ROM

The ROM holds the control program, the speech data, and any other data required by the application. Certain locations in the ROM are reserved for specific purposes (Figure 2-2).



NOTE: All addresses in this manual are in hexadecimal unless otherwise noted. All other numbers are in decimal unless otherwise noted.

Figure 2-2. ROM Map

The ROM may be accessed in three ways:

- 1) The program counter is used to address processor instructions.
- 2) The GET* instruction can be used to transfer 1 to 8-bits from anywhere in ROM to the A register. The GET counter is initialized by the LUSPS instruction. The SAR (Speech Address Register) points to the ROM location to be used.
- 3) The LUAA* instruction can be used to transfer a byte from ROM locations 0-3FF into the A register.

*Refer to Table 5-1 for more information.

2.2 Program Counter

The TSP50C4X devices are available with a 13-bit (TSP50C41/42) or 14-bit (TSP50C43/44) program counter. The program counter points to the next instruction to be executed. After the instruction is executed, it is normally incremented to point to the next instruction. Several instructions are used to change the value of the program counter. These are:

- BR — branch
- SBR — short branch
- CALL — call subroutine
- RETN — return from subroutine
- RETI — return from interrupts

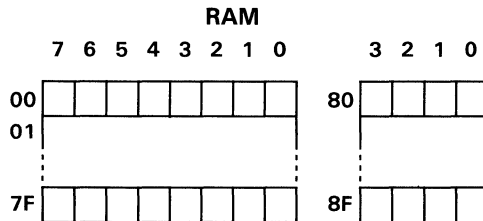
2.3 Program Counter Stack

The program counter stack has five levels. When a subroutine is called or an interrupt occurs, the contents of the program counter are pushed onto the stack. When a RETN (return from subroutine) or an RETI (return from interrupt) is executed, the contents of the top stack location are popped into the program counter. Certain instructions (LUSPS, GET, LUAA) push the contents of the program counter onto the stack and then pop it back during their execution. The POP* instruction may be used to pop the top stack location.

2.4 Random Access Memory (RAM)

The RAM has 128 bytes plus 16 nibbles. Addresses 0 to 7F refer to bytes, and addresses 80 to 8F refer to nibbles. RAM locations 0 to 18 and 80 to 8F are used for communication with the synthesizer when speech is being generated. When not executing speech, the entire memory may be used for algorithm data storage.

*Refer to Table 5-1 for more information.

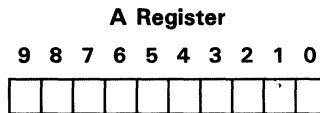


2.5 Arithmetic Logic Unit (ALU)

The ALU performs simple arithmetic, comparison, and logical functions for the central processor. The ALU is 10 bits in length and provides extra range for generating table look-up addresses. When transferring 8-bit data to the ALU, data is right justified. The input to the upper two bits may be either 0 (integer mode) or equal to the MSB of the 8-bit data (extended sign mode) depending on the set or reset condition of the mode latch (EXTSG and INTGR). All bit and comparison operations are performed on the lower 8 bits.

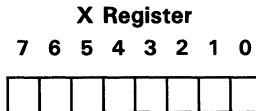
2.6 A Register

The A register or accumulator is the primary 10-bit register. Its contents can be transferred to or from ROM, RAM, and most of the other registers. It is used for arithmetic and logical operations. The contents are saved, in a dedicated storage register, during interrupts and restored by the RETI* instruction.



2.7 X Register

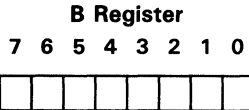
The X register is an 8-bit register used as a RAM index register. All RAM access instructions use the X register to point to a specific RAM location. The X register can also be used as a general purpose counter. The contents of the X register are saved during interrupts.



*Refer to Table 5-1 for more detail.

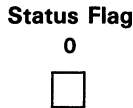
2.8 B Register

The 8-bit B register is used for temporary storage. It is especially helpful for storing a RAM address, since it can be exchanged with the X register using the *XBX** instruction. The contents of the B register are not saved during interrupts.



2.9 Status Flag

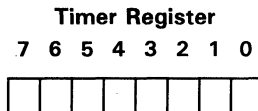
The status flag is set or cleared by various instructions, depending on the result of the instruction. The *BR*, *SBR*, and *CALL* instructions are conditional. These instructions are executed only when the status flag is set. Refer to the individual descriptions of these instructions in Section 3 to find the status flag value.



2.10 Timer Register

The 8-bit timer register is used for generating interrupts and for counting events. It decrements once each time the timer prescale register goes from #00 to #FF. It can be loaded using the *TXTM* instruction and examined with the *TTMA** instruction. When it decrements from #00 to #FF an interrupt request will be generated. If interrupts are enabled, an immediate interrupt will occur; if not, the interrupt request will remain pending until interrupts are enabled. The timer will not start counting down again until it is reloaded by the *TXTM* instruction.

The timer register must be loaded with a fixed #1F (hex) during synthesis. It is used to generate interrupts for the synthesis software and as a time value for parameter interpolation.



*Refer to Table 5-1 for more detail.

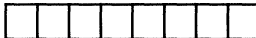
2.11 Timer Prescale Register

The 8-bit timer prescale register is used as a divider of the input to the timer register. When it decrements from #00 to #FF, the timer register is also decremented. The timer prescale register is then reloaded with the value in the preset latch, and the counting starts again.

The timer prescale register clock comes from an internal clock or from an external source on the $\overline{\text{IRT}}$ pin. The internal clock runs at 1/48 the clock frequency of the chip. The TTMA* instruction makes the clock source external, and the RSECT selects the internal clock.

Timer Prescale Register

7 6 5 4 3 2 1 0



2.12 Pitch Register

The 8-bit pitch register is really a synthesizer register, but it is mentioned here because it is the only one loaded explicitly by the processor. When the START instruction is executed, the pitch register is loaded with the current value in the accumulator. After that, the pitch register is loaded from a RAM location. See Section 6 for a detailed explanation.

2.13 Speech Address Register

Speech Address Register

13 12 11 10 9 8 7 6 5 4 3 2 1 0



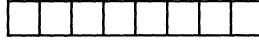
The speech address register is a 13-(TSP50C41/42) or 14-(TSP50C43/44) bit register that is used to point to data in the internal ROM. It is loaded with the TASH (Transfer Accumulator to Speech register High) and TASL (L is for Low) instructions. When a LUSPS or GET instruction is executed, the ROM value pointed to by the speech address register will be loaded into the parallel-to-serial register and the speech address register is incremented.

*Refer to Table 5-1 for more information.

2.14 Parallel-to-Serial Register

Parallel-to-Serial Register

7 6 5 4 3 2 1 0



The 8-bit parallel-to-serial register is used to unpack speech. It can be loaded with eight bits of data from an external TSP60CXX speech ROM or from the internal ROM pointed to by the speech address register. The LUSPS instruction is used to initialize the parallel-to-serial register and zero its bit counter. GET instructions can then be used to transfer one to eight bits from the parallel-to-serial register to the accumulator. When the parallel-to-serial register is empty, it will automatically be reloaded. The INTRM instruction selects the internal ROM as the source for the parallel-to-serial register, while EXTRM selects external ROM.

2.15 Interface Logic

The TSP50C4X interface consists of four 8-bit ports. Port A (PA) is a bidirectional port, Ports B and D (PB and PD) are output ports. Port B can also be used as an interface to an external TSP60CXX serial ROM. Port C (PC) is either a general 8-bit input port (master option) or is split into a 4-bit input port and a 4-bit control port for Port A (slave option). In addition, an interrupt (IRT) pin and a hardware reset (INIT) pin are provided. The remaining six pins are used for power supply, oscillator, and analog outputs. The choice of master or slave operation for Port A is a mask-generation option that depends on the type of product to which the device will be applied. The master option is designed for single-chip applications or for applications in which the host is the internal microprocessor. The slave option is intended for use in multichip systems in which the host microprocessor is external.

2.16 Port A (MASTER Option)

Port A is a bidirectional port. The direction (input or output) of the port is determined by software control. If a TAPA* instruction is executed, the contents of the lower eight bits of the accumulator are transferred to Port A, and it is used as an output port. If a TPAA* instruction is executed, Port A is used as an input port and its contents are transferred to the A register. The TPAM* instruction transfers the Port A values to the current RAM location.

If the port is switched from output to input mode with the TPAA or TPAM instructions, the data from the first transfer will be invalid. The instruction should be executed twice.

*Refer to Table 5-1 for more information.

2.17 Port A (SLAVE Option)

In the slave option, the transfer of data to and from the 8-bit Port A is controlled by an external host through four pins of Port C. In the slave mode, pins PC3-PC0 have the function of read/write control, high nibble strobe, low nibble strobe, and ready flag for handshake interfacing. The high and low nibble strobe arrangement permits simple interfacing to 4-bit as well as 8-bit microprocessors. The ready pin is set to a not ready by a low nibble write and reset by the RSRDY instruction to acknowledge that the data written to Port A has been read by the internal microprocessor.

2.18 Port B

Port B can be either a general 8-bit output port or a specialized external speech ROM port. The configuration of this port is controlled by the EXTRM and INTRM instructions. If the microprocessor executes the EXTRM command, then the port is configured as a ROM port and the data source for GET instructions will be Port B. If the microprocessor executes the INTRM instruction, then Port B will be configured as a general 8-bit output port and all speech data will source from the internal ROM memory.

If the TSP60CXX external ROM is enabled and the INTRM instruction is executed, there will be a bus conflict. To avoid this, access a nonexistent TSP60CXX device before going to the INTRM mode. This will turn off the TSP60CXX so that it will not conflict when Port B becomes all outputs.

At power-up, Port B is low.

2.19 Port C

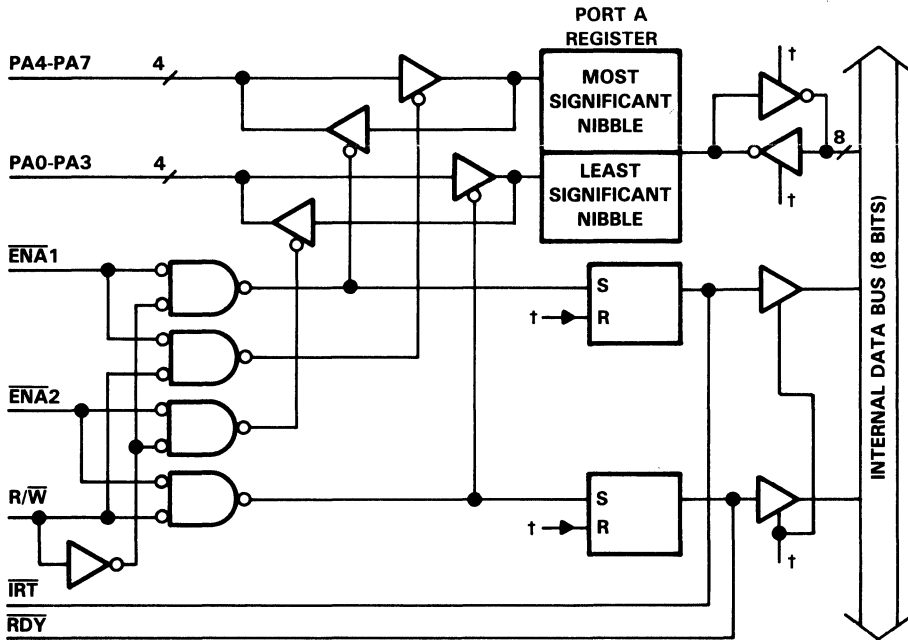
Port C has two possible configurations. If the master option is selected, Port C is a general input port. The data on the eight pins are transferred on command TPCA to the A Register.

In the slave option, the port is configured so that PC3-PC0 are used to control Port A through the functions ENA1, ENA2, R/W, and RDY. (See Applications, Section 6 for more details.)

2.20 Port D

Port D is a general output port. Data is transferred to this port from the internal microprocessor by executing the command TAPD. This is available only on the TSP50C42 and TSP50C44 devices.

At power-up, Port D is low.



†Processor Controlled Functions

Figure 2-3. I/O Data Bus (PA0-PA7)

2.21 $\overline{\text{IRT}}$ Pin

The interrupt pin is hardware configurable by mask option to be an event-counter input pin (IRT = input) or an interrupt output (slave option, IRT = output). When selected as an event-counter input pin, a signal is used as the timer prescale register increment clock. The internal 80-kHz timing clock can be selected by executing RSECT. The external clock on the interrupt pin is selected by executing the command TTMA.

2.22 Speech Synthesizer

The task of generating synthetic speech is divided between the programmable microprocessor and the dedicated speech synthesizer.

The microprocessor controls speech synthesis by unpacking and decoding parameters as well as setting the update interval (frame rate). These aspects of speech tend to vary from application to application and are well suited to the microprocessor. The speech synthesizer, on the other hand, performs all of the synthetic speech functions that require intensive computations but do not change from application to application. These functions include the implementation of a 10-pole digital lattice filter, a pitch-controlled excitation generator, a parameter interpolator, and a digital-to-analog converter. Speech

parameter input is received from dedicated space in the microprocessor RAM, and speech samples are generated at 8 kHz or 10 kHz. Communication between the microprocessor and the speech synthesizer take place via a shared memory space in the microprocessor RAM. (Refer to the Applications section for more information.)

2.22.1 Use of RAM by the Synthesizer

The RAM consists of 1088 bits that are arranged as 128 8-bit words from address 00 to 7F and 16 4-bit words from 80-8F. The microprocessor can read or write to any word in the RAM. The synthesizer can only read from locations 00 to 17 and 80 to 8F, where the microprocessor stores the PRESENT and the NEW values for the frame parameters.

After the timer register generates an interrupt, the synthesizer will read only the PRESENT or both the PRESENT and NEW frame parameters. If interpolation is required, the INTE instruction is invoked for the current frame and the synthesizer uses both frame parameters. Otherwise, only the PRESENT parameter is used.

When interrupt occurs (see subsection 2.22.2), the context switch changes addresses for the PRESENT and NEW values. This is done so that the parameters put into NEW value RAM locations by the microprocessor become the PRESENT values for the current speech frame. This is a hardware function and it is transparent to the microprocessor.

If the INTE instruction is not invoked for the current frame, then interpolation will not be performed. The synthesizer will read the frame parameters for the PRESENT frame and put them into the LPC filter.

If the INTE instruction is invoked for the current frame, then the synthesizer will perform interpolation and the following sequence of events applies:

1. The interrupt will cause a context switch.
2. The microprocessor loads the next frame of data into the NEW value RAM location. The data for the current frame can be found in the PRESENT value RAM location.
3. The microprocessor invokes the INTE instruction, which will put the synthesizer into the interpolation mode.
4. Every pitch period the synthesizer will:
 - a. Read the PRESENT and NEW value parameters.
 - b. Read the timer register. This data defines the elapsed time from the start of the current frame (PRESENT data values) to the start of the next frame (NEW data values).
 - c. The synthesizer uses the data from (a) and (b) to perform a straight line interpolation of the parameters for the current and next frame parameters.
 - d. The computed parameters are put into the LPC filter.





| ADDRESS | | COMMENTS |
|---------|-------------------|--|
| 00 | NEW PITCH (11-4) |  <p>8 MSBs (11-4) of both "new" and "old" speech parameters. This area is reserved only during speech generation. Context address switch is operative only for speech.</p> |
| 01 | OLD PITCH (11-4) | |
| 02 | NEW ENERGY (11-4) | |
| 03 | OLD ENERGY (11-4) | |
| 04 | NEW K1 (11-4) | |
| 05 | OLD K1 (11-4) | |
| 06 | NEW K2 (11-4) | |
| 07 | OLD K2 (11-4) | |
| 08 | NEW K3 (11-4) | |
| 09 | OLD K3 (11-4) | |
| 0A | NEW K4 (11-4) | <p>General memory. No context addressing mode.</p>  |
| . | . | |
| . | . | |
| . | . | |
| 14 | NEW K9 (11-4) | |
| 15 | OLD K9 (11-4) | |
| 16 | NEW K10 (11-4) | |
| 17 | OLD K10 (11-4) | |
| 18 | . | |
| . | . | |
| 7F | |  <p>4 LSBs of speech parameters. K7-K10 do not have memory assigned since 8 bit values are sufficient. When not generating speech the memory is available. Context addressing mode enabled during speech.</p> |
| 80 | NEW PITCH (3-0) | |
| 81 | OLD PITCH (3-0) | |
| 82 | NEW ENERGY (3-0) | |
| 83 | OLD ENERGY (3-0) | |
| 84 | NEW K1 (3-0) | |
| 85 | OLD K1 (3-0) | |
| 86 | NEW K2 (3-0) | |
| 87 | OLD K2 (3-0) | |
| 88 | NEW K3 (3-0) | |
| 89 | OLD K3 (3-0) | <p>Not available</p>  |
| 8A | NEW K4 (3-0) | |
| 8B | OLD K4 (3-0) | |
| 8C | NEW K5 (3-0) | |
| 8D | OLD K5 (3-0) | |
| 8E | NEW K6 (3-0) | |
| 8F | OLD K6 (3-0) | |
| 90 | NOT AVAILABLE | |
| . | | |
| FF | | |

Figure 2-4. RAM Map During Speech Generation

2.22.2 Context Switch

The Context Switch is used to point to the parameter set just loaded as the NEW value and the previous set as the PRESENT value. Interpolation is then enabled between the two sets of parameter values. The INTE (Enable Timer Interrupt) instruction is used to control interpolation.

There are instances when interpolation should be disabled. The most common example is for voicing transitions or when going from zero to a nonzero value of energy. If no INTE instruction is executed, the Context Switch will change and interpolation will be disabled.

The context addressing mode is enabled for the dedicated speech data address space in RAM (addresses 00-17, 80-8F).

2.22.3 Interpolation

Interpolation takes place from the present values to the new values during the frame. If interpolation is not enabled, the present values are used for the entire frame. The programming task is made easier by the availability of the Context Switch.

2.22.4 Timing Requirements

Table 2-1. Initialization Timing

| | CONDITION | MIN | MAX | UNIT |
|-------|--|-----|-----|------|
| t_w | TSP50C4X in the standby mode due to a setoff command | 10 | | ns |
| | INIT pulsed low while the TSP50C4X is active | * | | |

*One oscillator clock period.

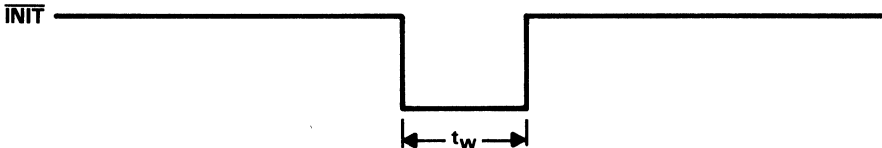


Figure 2-5. Initialization Timing

Table 2-2. Timing Requirements

| | SAMPLE RATE | | UNIT |
|-------------------|---------------|--------------|---------|
| | 10 kHz NOM | 8 kHz NOM | |
| Sample period | 100 | 125 | μ s |
| ROM clock rate | 240 | 192 | kHz |
| ROM clock period | 4.17 | 5.20 | μ s |
| Oscillator rate | 3.84 | 3.07 | MHz |
| Oscillator period | 260 | 3.25 | ns |

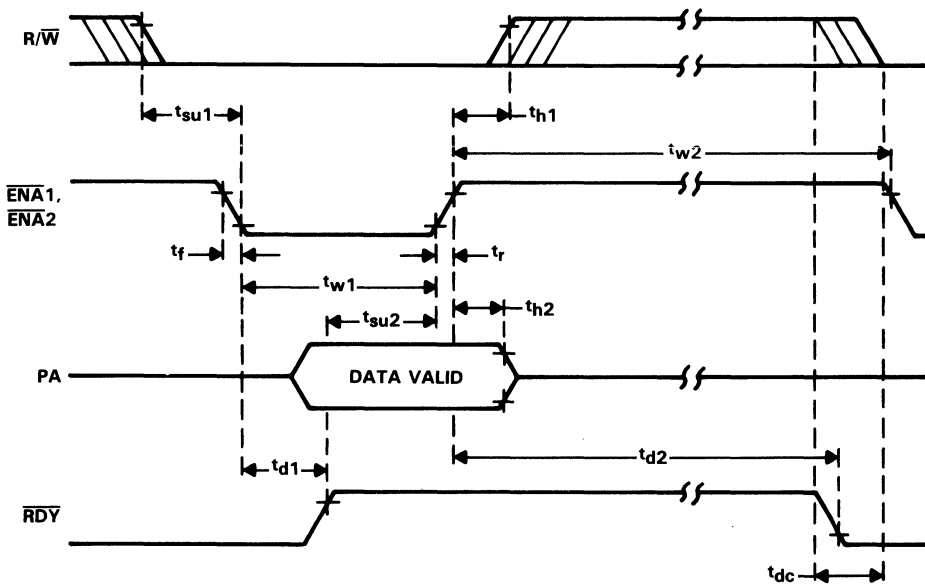


Figure 2-6. Write Timing Diagram

Table 2-3. Write Timing Requirements (see Figure 2-6)

| PARAMETER | MIN | MAX | UNIT |
|--|-------------------|-----|------------|
| t_{su1} Setup time, R/W before $\overline{ENA1}\downarrow$ or $\overline{ENA2}\downarrow$ | 80 | | ns |
| t_{su2} Setup time, data valid before $\overline{ENA1}\uparrow$ or $\overline{ENA2}\uparrow$ | 100 | | ns |
| t_{h1} Hold time, R/W after $\overline{ENA1}\downarrow$ or $\overline{ENA2}\downarrow$ | 40 | | ns |
| t_{h2} Hold time, data valid after $\overline{ENA1}\uparrow$ or $\overline{ENA2}\uparrow$ | 40 | | ns |
| t_{w1} Pulse duration, $\overline{ENA1}$ or $\overline{ENA2}$ low | 200 | | ns |
| t_{dc} Cycle delay time | 32 | | CLK cycles |
| t_r Rise time, $\overline{ENA1}$ or $\overline{ENA2}$ | | 50 | ns |
| t_f Fall time, $\overline{ENA1}$ or $\overline{ENA2}$ | | 50 | ns |
| t_{d1} Delay time from $\overline{ENA1}$ low or $\overline{ENA2}$ low to RDY high | | 250 | ns |
| t_{d2} Delay time from $\overline{ENA1}$ high or $\overline{ENA2}$ high to RDY low | Program Dependent | | |

NOTE: $\overline{ENA1}$ applies to PA4 through PA7, and $\overline{ENA2}$ applies to PA0 through PA3.

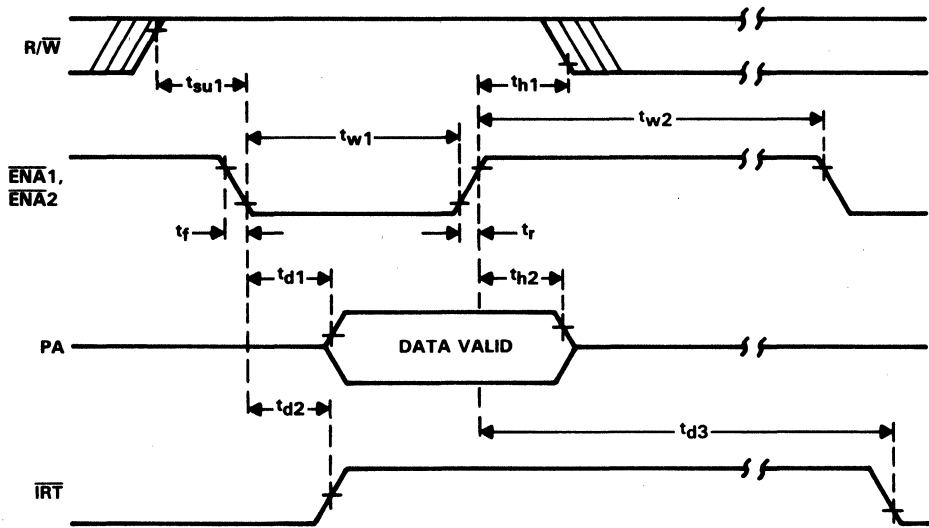


Figure 2-7. Read Timing Diagram

Table 2-4. Read Timing Requirements (see Figure 2-7)

| PARAMETER | MIN | MAX | UNIT |
|---|-------------------|-----|---------|
| t_{su1} Setup time, R/W before $\overline{ENA1}\downarrow$ or $\overline{ENA2}\downarrow$ | 80 | | ns |
| t_{h1} Hold time, R/W after $\overline{ENA1}\uparrow$ or $\overline{ENA2}\uparrow$ | 40 | | ns |
| t_{h2} Hold time, data valid after $\overline{ENA1}\uparrow$ or $\overline{ENA2}\uparrow$ | 100 | | ns |
| t_{w1} Pulse duration, $\overline{ENA1}$ or $\overline{ENA2}$ low | 200 | | ns |
| t_{w2} Pulse duration, $\overline{ENA1}$ or $\overline{ENA2}$ high | 2 | | μ s |
| t_r Rise time, $\overline{ENA1}$ or $\overline{ENA2}$ | | 50 | ns |
| t_f Fall time, $\overline{ENA1}$ or $\overline{ENA2}$ | | 50 | ns |
| t_{d1} Delay time from $\overline{ENA1}$ low or $\overline{ENA2}$ low to data valid | | 250 | ns |
| t_{d2} Delay time from $\overline{ENA1}$ low or $\overline{ENA2}$ low to IRT high | | 250 | ns |
| t_{d3} Delay time from $\overline{ENA1}$ high or $\overline{ENA2}$ high to IRT low | Program Dependent | | |

NOTE: $\overline{ENA1}$ applies to PA4 through PA7, and $\overline{ENA2}$ applies to PA0 through PA3.

2.22.5 Voicing Control

Voicing transitions refer to the change in the excitation source from voiced to unvoiced or from unvoiced to voiced. (See section 1.7.1 for a definition of voiced speech). The voicing status of a frame is encoded into the speech data and must be decoded by the unpacking algorithm. The voicing status is conveyed to the synthesizer by executing the TAV instruction (Transfer A Register to Voicing Register). A "1" on the LSB of the A Register will cause voiced excitation to be used while a "0" will indicate unvoiced excitation. A change in value of the voicing register will take effect on the next frame boundary. The actual voicing change in the synthesizer is synchronized by both timer overflow (next frame boundary) and parameter interpolation. This synchronization is hardware-controlled and is transparent to software control.

2.22.6 Frame Length Control

All speech control algorithms must include some type of frame-length control. In order to obtain the proper frame length and also to insure proper operation of the parameter interpolation, the timer preset value is fixed to be 1F, and the prescale register preset value is variable and determines the actual frame length. The frame length in seconds is calculated by:

$$TFL = \frac{1536 (N + 1)}{OSCILLATOR RATE}$$

where N is the decimal value of the prescale preset value. The frame length in terms of speech samples is

$$TFL = 4 * (N + 1).$$

It is important that one of the first statements of the speech interrupt routine is the timer register preset statement. For fixed-frame-length applications, the prescale register must be set only once at the beginning of speech. For variable-frame-length applications, the timer prescale register needs to be updated each frame as soon after the timer interrupt as possible.

2.22.7 Digital to Analog Converter and Output Buffer

The TSP50C4X devices contain an internal digital-to-analog converter (DAC) connected to the output of the synthesizer. The DAC has a pulse-width-modulated, push-pull output that drives the output buffers DA1 and DA2, which are capable of driving a low-power speaker directly (see Section 3).

3. Electrical Specifications

3.1 Absolute Maximum Ratings Over Operating Free-Air Temperature Range

| | |
|--------------------------------------|----------------------------|
| Supply voltage, V_{DD} | -0.3 V to 7 V |
| Input voltage, V_I | -0.3 V to $V_{DD} + 0.3$ V |
| Output voltage, V_O | -0.3 V to $V_{DD} + 0.3$ V |
| Operating free-air temperature | 0°C to 70°C |
| Storage temperature range | -30 °C to 125°C |

All voltages are with respect to V_{SS} .

3.2 Recommended Operating Conditions – DC

| PARAMETER | CONDITIONS | MIN | TYP [†] | MAX | UNIT |
|---------------------|------------------------------------|-----|------------------|-----|------------|
| V_{DD} * | | 4 | 5 | 6 | V |
| T_A | Operating free-air temperature | 0 | | 70 | °C |
| V_{IH} | $V_{DD} = 4$ V | 3 | | 4 | V |
| | $V_{DD} = 5$ V | 3.8 | | 5 | |
| | $V_{DD} = 6$ V | 4.5 | | 6 | |
| V_{IL} | $V_{DD} = 4$ V | | | 1 | V |
| | $V_{DD} = 5$ V | | | 1.2 | |
| | $V_{DD} = 6$ V | | | 1.5 | |
| V_L | $V_{DD} = 5$ V, $R_L = 50 \Omega$ | 1.9 | 2.8 | | V |
| | $V_{DD} = 5$ V, $R_L = 100 \Omega$ | 2.9 | 3.6 | | |
| | $V_{DD} = 4$ V, $R_L = 50 \Omega$ | 1.3 | 2 | | |
| | $V_{DD} = 4$ V, $R_L = 100 \Omega$ | 2 | 2.7 | | |
| Output power D/A | $V_{DD} = 5$ V, $R_L = 50 \Omega$ | 72 | 157 | | mW |
| | $V_{DD} = 5$ V, $R_L = 100 \Omega$ | 84 | 130 | | |
| | $V_{DD} = 4$ V, $R_L = 50 \Omega$ | 34 | 80 | | |
| | $V_{DD} = 4$ V, $R_L = 100 \Omega$ | 40 | 73 | | |
| Pullup Resistance | $V_{DD} = 5$ (when programmed) | 25 | 50 | 100 | k Ω |

*Unless otherwise noted, all voltages are with respect to V_{SS} .

3.3 Recommended Operating Conditions – AC

| PARAMETER | CONDITIONS | MIN | TYP [†] | MAX | UNIT |
|-----------|--|-----|------------------|-----|------|
| t_r | $V_{DD} = 5$ V, PA,B,D into 100 pF 10% to 90% | | | 150 | ns |
| t_f | $V_{DD} = 5$ V, PA,B,D into 100 pF 10% to 90% | | | 100 | ns |
| f_{osc} | Speech Sample Rate = 10 kHz | | 3.84 | | MHz |
| | Speech Sample Rate = 8 kHz | | 3.07 | | |

[†]All typical values are at $V_{DD} = 5$ V and $T_A = 25^\circ\text{C}$.

3.4 Electrical Characteristics Over Recommended Operating Free-Air Temperature Range

| PARAMETER | CONDITIONS | MIN | TYP [†] | MAX | UNIT |
|-----------|---|----------|------------------|-----|---------------|
| I_{CC} | $V_{DD} = 5\text{ V}$ Standby mode = SETOFF executed or INIT high, no pullup resistor on INIT, all port pins are open. | | 10 | 50 | μA |
| | $V_{DD} = 5\text{ V}$ Operating mode = INIT high and SETOFF not executed, DA pins are open. | | 1.5 | 3 | mA |
| V_{OH} | $V_{DD} = 5\text{ V}$, $I_{OH} = 0.3\text{ mA}$ $I_{OH} = 1.2\text{ mA}$ | 4.7 4 | 4.85 4.5 | | V |
| V_{OL} | $V_{DD} = 5\text{ V}$, $I_{OL} = 1.7\text{ mA}$ | | 0.3 | 0.4 | V |
| I_I | Input current | | | 5.0 | μA |
| I_{OH} | $V_{DD} = 4\text{ V}$, $V_{OH} = 3.5\text{ V}$ | 0.3 | 0.8 | | mA |
| | $V_{DD} = 5\text{ V}$, $V_{OH} = 4.5\text{ V}$ | 0.6 | 1.2 | | |
| | $V_{DD} = 6\text{ V}$, $V_{OH} = 5.5\text{ V}$ | 0.8 | 1.5 | | |
| I_{OL} | $V_{DD} = 4\text{ V}$, $V_{OL} = 0.4\text{ V}$ | 1.2 | 1.8 | | mA |
| | $V_{DD} = 5\text{ V}$, $V_{OL} = 0.4\text{ V}$ | 1.7 | 2.4 | | |
| | $V_{DD} = 6\text{ V}$, $V_{OL} = 0.4\text{ V}$ | 2 | 2.8 | | |
| r_o | $V_{DD} = 5\text{ V}$, DA1 and DA2 pins | | 50 | | Ω |

[†]All typical values are at $T_A = 25^\circ\text{C}$.

For details on Timing, see Section 2.

3.5 Oscillator

The oscillator pins OSC1 and OSC2 are provided for either a crystal or ceramic resonator connection in the typical phase-shift oscillator connection. The recommended value for circuit components C1 and C2 are shown.

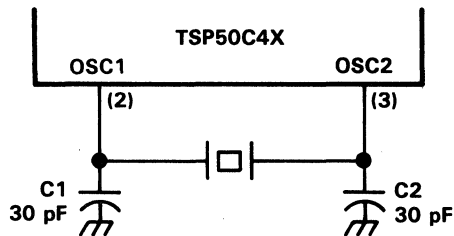


Figure 3-1. Typical Phase-Shift Oscillator Connection

3.6 Direct Speaker Driver

The analog buffers at DA1 and DA2 are designed to directly drive a 50- to 100- Ω speaker with approximately 120 to 150 mW of peak power. Average power is considerably below this figure. The reduction in power is caused by the nature of speech. The effective analog output impedance at 5 V is typically 50 Ω for output currents less than 60 mA. For output currents more than 60 mA, the DAC buffers act as current sources. The outputs can also be used to drive transistors or operational amplifiers.

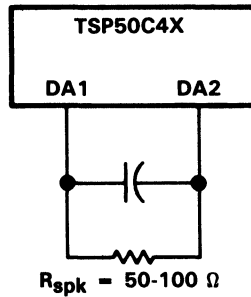


Figure 3-2. Typical Direct Speaker Drive Connection

4. TSP50C4X Assembler

TSP50C4X Assembly Language instructions are mnemonics that correspond directly to binary machine instruction codes. An assembly language program (source program) must be converted to a machine language program (object program) by a process called assembling before a computer can execute it. Assembling converts the mnemonics to binary values and associates those values with binary addresses, creating machine language instructions. Assembler directives control this process, place data in the object program, and assign values to the symbols used in the object program.

TSP50C4X directives are of four kinds:

- Directives that affect the location counters
- Directives that affect assembler output
- Directives that initialize constants
- Directives that copy source files and end programs.

The notation used in this document is as follows:

- An optional field is indicated by brackets, for example [LABEL].
- User supplied contents are indicated by braces; for example <num>.
- A reserved keyword is given in capital letters.
- A required blank is indicated by a caret (^).

EXAMPLE

```
[<name>] ^ SBR ^ <number> [ <comment>]
```

4.1 Source Statement Format

An assembly language source program consists of statements contained in the assembly source file(s) that may contain assembler directives, machine instructions, or comments. Source statements may have four ordered fields separated by one or more blanks. These fields (label, command, operand, and comment) are discussed in the following paragraphs.

The source statement may be as long as 80 characters, but the assembler will truncate the source line at 60 characters without warning. The user should ensure that nothing other than comments extend past column 60.

Any source line starting with an asterisk in the first character position is treated as a comment. It is printed in the assembly listing but has no other effect on the assembly process.

The syntax of the source statements is:

```
[<label>] ^ COMMAND ^ <operand> ^ [ < comment>]
```

A source statement may have an optional label that is defined by the user. One or more blanks separate the label from the COMMAND mnemonic. One or more blanks separate the mnemonic from the operand (if required by the command). One or more blanks separate the operand from the comment field.

4.1.1 Label Field

The label field begins in character position 1 of the source line. If position 1 is a character other than a blank or an asterisk, the assembler assumes that the symbol is a label. If a label is omitted, then the first character position must be a blank. The label may contain up to six alphabetic (a..z,A..Z), numeric (0..9) and special (@,\$,_) characters. The first character should be alphabetic. The remaining five characters may be any of the others mentioned above.

4.1.2 Command Field

The command field begins after the blank that terminates the label field, or the first nonblank character after the first position (which is blank when the label is omitted). The command field is terminated by one or more blanks and may not extend past the character position 60. The command field may contain either an assembler mnemonic (e.g., TAX) or an assembler directive (e.g., OPTION). The assembler does not distinguish between capital and small letters in the command name; for example, TAX, Tax, and tAX are identical to the assembler.

4.1.3 Operand Field

The operand field begins following the blank that terminates the command field and may not extend past character position 60. The operand may contain one or more of the constants or expressions described below. Terms in the operand field are separated by commas. The operand field is terminated by the first blank encountered.

4.1.4 Comment Field

The comment field begins after the blank that terminates the operand field or the blank that terminates the command field if no operand is required. The comment field may extend to the end of the source record and may contain any ASCII characters including blanks.

4.2 Constants

The assembler recognizes the following five types of constants:

- Decimal integer
- Binary integer
- Hexadecimal integer
- Character
- Assembly-time

4.2.1 Decimal Integer Constants

A decimal integer constant is written as a string of decimal digits. The range of values of decimal integers is $-32,768$ to $+65,535$. Negative numbers are given their two's complement representation.

The following are valid decimal constants:

| | |
|--------|-------------------------------------|
| 1000 | Constant equal to 1000 or #03E8 |
| -32768 | Constant equal to -32768 or #8000 |
| 25 | Constant equal to 25 or #0019 |

4.2.2 Binary Integer Constants

A binary integer constant is written as a string of up to sixteen binary digits preceded by a question mark ('?'). If less than sixteen digits are specified, the assembler will right justify the given bits in the resulting constant.

The following are valid binary constants:

| | |
|-------------------|----------------------------------|
| ?000000000010011 | Constant equal to 19 or #0013 |
| ?0111111111111111 | Constant equal to 32767 or #7FFF |
| ?11110 | Constant equal to 30 or #001E |

4.2.3 Hexadecimal Integer Constants

A hexadecimal integer constant is written as a string of up to four hexadecimal digits preceded by a pound sign '#' or a greater than sign '>'. If less than four hexadecimal digits are specified, the assembler will right justify the bits that are specified in the resulting constant. Hexadecimal digits include the decimal values '0' through '9' and the letters 'a' (or 'A') through 'f' (or 'F').

The following are valid hexadecimal constants:

| | |
|-------|------------------------------------|
| #7F | Constant equal to 127 (or #007F) |
| >7f | Constant equal to 127 (or #007F) |
| #307a | Constant equal to 12410 (or #307A) |

4.2.4 Character Constants

A character constant is written as a string of one or two characters enclosed in single quotes. A single quote can be represented within the character constant by two successive quotes. If less than two characters are specified, the assembler will right justify the given bits in the resulting constant. The characters are represented internally as 8-bit ASCII characters. A character constant consisting of only two single quotes (no character) is valid and is assigned the value 0000 (Hex).

The following are valid character constants:

'AB' Constant equal to #4142
'C' Constant equal to #0043
'D' Constant equal to #2744

4.2.5 Assembly-Time Constants

An assembly-time constant is a symbol given a value that appears in the label field of a statement. The value of the symbol is determined at assembly time and may be assigned by expressions using any of the above constant types.

4.3 Symbols

Symbols are used in the label and the operand fields. A symbol is a string of alphanumeric characters: 'a' through 'z', 'A' through 'Z', '0' through '9', and special characters '@', '_', and '\$'. Upper-case and lower-case characters are not distinguished from one another. The first character in a symbol must not be a number or a '\$'. No character may be blank. When more than six characters are used in a symbol, the assembler prints all the characters but issues a warning message that the symbol has been truncated and uses only the first six characters for processing.

Symbols used in the label field become symbolic addresses. They are associated with locations in the program and must not be used in the label field of other statements. Mnemonic operation codes and assembler directives may also be used as valid user-defined symbols when placed in the label field.

Symbols used in the operand field must be defined in the assembly source by appearing in the label field of a statement.

The following are examples of valid symbols:

```
START
Start
strt-1
```

4.3.1 Predefined Symbol '\$'

The dollar sign '\$' is a predefined symbol given the value of the current location within the program. This can be used in the operand field to indicate relative program offsets. For example:

```
BR $+6
```

would result in a branch to six locations beyond the current location.

4.3.2 Character String

Several assembler directives require character strings in the operand field. A character string is written as a string of characters enclosed in single quotes. A quote may be represented in the string by two successive quotes. The maximum length of the string is defined for each directive that requires a character string. The characters are represented internally as 8-bit ASCII.

The following are valid character strings:

```
'SAMPLE PROGRAM'  
'Plan "C"'
```

4.4 Expressions

Expressions are used in the operand field of assembler instructions and directives. An expression is a constant or symbol, a series of constants or symbols, or a series of constants and symbols separated by arithmetic operators. Each constant or symbol may be preceded by a minus sign (unary minus) or a plus sign (unary plus). Unary minus is the same as taking the two's complement of the value. An expression may not contain embedded blanks. The valid range of values in an expression is $-32,768$ to $+65,535$. The value of all terms of an expression must be known at assembly time.

4.4.1 Arithmetic Operators in Expressions

The arithmetic operators that can be used in an expression are as follows:

```
+   for addition  
-   for subtraction  
*   for multiplication  
/   for division  
&   for bitwise AND  
++  for bitwise OR  
&&  for bitwise EXCLUSIVE OR
```

In evaluating an expression, the assembler first negates any constant or symbol preceded by a unary minus and then performs the arithmetic operations from left to right. The assembler does not assign arithmetic operation precedence to any other than unary plus or unary minus (so that the expression $4 + 5 * 2$ would be evaluated as 18, not 14).

4.4.2 Parentheses in Expressions

The assembler supports the use of parentheses in expressions to alter the order of evaluation of the expression. Nesting of pairs of parentheses within expressions is also supported. When parentheses are used, first the expression in the innermost pair is processed, then the expression within the next inner

pair is evaluated, and so on. After the evaluation of the expressions within all the parentheses is finished, the rest is completed from left to right. Evaluation of the expressions within parentheses at the same nesting level is simultaneous. Parenthetical expressions may not be nested more than eight deep.

4.5 Invoking the Assembler

The assembler is invoked by typing:

```
ASM5C ^ [ - <options> ] ^ <source[.ext]>
```

where:

'Options' represents a list of assembler options (see Section 4.6). 'Source' stands for the name of the source file with the optional extension. If the extension is not given, then the default extension of '.ASM' is assumed.

For example:

```
ASM5C -I PROGRAM
```

The assembler uses the source file PROGRAM.ASM and generates the output object file PROGRAM.MPO. No list file is generated.

4.5.1 Assembler Input and Output Files

The assembler takes as input a file containing the assembly source and produces as output a listing file and an object file in either binary format or tagged object format.

4.5.2 Assembly Source File

The assembly source file is specified in the command line. If no extension is given, then '.ASM' is assumed.

For example:

```
ASM5C PROGRAM.SRC
```

Uses the file PROGRAM.SRC as the Assembly source file.

```
ASM5C PROGRAM
```

Uses the file PROGRAM.ASM as the Assembly source file.

4.5.3 Assembly Binary Object File

The assembly process produces an object file in binary format by default. The object output is placed in a file with the same file name as the assembly source except that the extension will be .BIN . If the binary file is not desired, it can be disabled either as a command line option or with an Option statement.

For example:

```
ASM5C PROGRAM.SRC
```

Uses file PROGRAM.SRC as the Assembly source file and the file PROGRAM.BIN as the binary object output file.

```
ASM5C -O PROGRAM.SRC
```

Uses the file PROGRAM.SRC as the Assembly source file and produces no object output.

4.5.4 Assembly Tagged Object File

If needed, the assembler can substitute an object file in 990 tagged object format for the binary format file. If produced, the object output is placed in a file with the same file name as the assembly source except that the extension will be '.MPO'.

For example:

```
ASM5C -9 PROGRAM.SRC
```

Uses the file PROGRAM.SRC as the assembly source file and uses the file PROGRAM.MPO as the tagged object output file. No binary formatted object file is produced.

4.5.5 Assembly Listing File

The assembly process produces a listing file which contains the source instructions, the assembled code, and a cross-reference table (optional). The listing file will be placed in a file with the same file name as the assembly source except that the extension will be '.LST'.

For example:

```
ASM5C PROGRAM.SRC
```

Uses the file PROGRAM.SRC as the assembly source file and the file PROGRAM.LST as the assembly listing file.

4.6 Options and Switches

4.6.1 Command Line Options

Several options can be invoked from the command line. This is done by listing the option abbreviation prefixed by a minus sign.

For example:

```
ASM5C -lo PROGRAM.ASM
```

Assembles the program in file PROGRAM.ASM without generating either a listing file or an object file. Errors are written to the console. The following command line options are available (see Table 4-1).

4.6.1.1 BYTE Unlist Option

Placing a "b" or "B" in the command field causes the assembler to list only the first data byte in a BYTE or RBYTE statement. If a BYTE or RBYTE statement has n arguments, then n lines are used to list the resulting data in the object column. If the BYTE unlist switch is set, then only the first line (which also contains the source line listing) is written to the listing file.

4.6.1.2 DATA Unlist Option

Placing a "d" or "D" in the command field causes the assembler to list only the first data byte in a DATA or RDATA statement. If a DATA or RDATA statement has n arguments, then n lines are used to list the resulting bytes in the object column. If the DATA unlist switch is set, then only the first line (which also contains the source line listing) will be written to the listing file.

4.6.1.3 XREF Unlist Option

Placing an "x" or "X" in the command field causes the assembler to add a cross-reference list at the end of the listing file.

4.6.1.4 TEXT Unlist Option

Placing a "t" or "T" in the command field causes the assembler to list only the first opcode in a TEXT or RTEXT statement in the listing file. If a TEXT or RTEXT statement has as an argument a string containing n characters, then the ASCII representations of these n characters are written in the opcode column of the listing. If the TEXT unlist switch is set, then only the first line (which also contains the source line listing) is written to the list file.

4.6.1.5 WARNING Unlist Option

Placing a "w" or "W" in the command field causes the assembler to suppress WARNING messages. However, warnings are counted and error messages are generated.

4.6.1.6 8K Assembly Mode Option

Placing an "8" in the command field puts the assembler in 8K mode. This has the effect of dividing the address generated by any branch by two and performing a check that any label addressed by a branch is on an even address.

4.6.2 Complete XREF Switch

Placing an "r" or "R" in the option field causes the assembler to create a reduced XREF listing if one is produced. All symbols (whether used or not) are listed. The 'r' option causes the assembler to omit from the XREF listing all symbols in the copy files that were never used.

4.6.3 Object Module Switch

Placing an "o" or "O" in the option field causes the assembler not to generate any object output modules.

4.6.4 Listing File Switch

Placing an "l" or "L" in the option field causes the assembler not to generate the listing file but to display error messages on the screen.

4.6.5 Page Eject Disable Switch

Placing a "p" or "P" in the option field causes the assembler to print the listing in a continual manner without division into separate pages. A form feed can be forced where desired using the PAGE command.

4.6.6 Error to Screen Switch

Placing an "s" or "S" in the option field causes the assembler not to write errors to the screen unless no listing file is being generated.

4.6.7 Binary Code File Disable Switch

Placing a "9" in the option field causes the assembler to generate the object module in tagged object format in a file with a .MPO extension instead of the normal binary object module in a file with a .BIN extension.

Table 4-1. Switches and Options

| CHARACTER OR NUMBER | OPTION DESCRIPTION |
|------------------------------------|---|
| B or b | Lists only the first data byte in BYTE or RBYTE |
| D or d | Lists only the first data byte in DATA or RDATA |
| L or l | Displays error messages without generating a listing |
| O or o | Generates object output module disable |
| P or p | Prints listing without page breaks |
| R or r | Produces a reduced XREF list |
| S or s | Writes no errors on screen unless no listing file is generated |
| T or t | Lists only the first data byte in a TEXT or RTEXT |
| W or w | Suppresses the warning message |
| X or x | Adds a cross-reference list at the end |
| 8 | Checks if any label addressed by a branch is on even boundary. Adjusts branch addresses for the 8K mask option. |
| 9 | Generates object module in tagged object format |

4.7 Assembler Directives

Assembler directives are instructions that modify the assembler operation. They are invoked by placing the directive mnemonic in the command field and any changing operands in the operand field. The valid directives are described in the following paragraphs and are summarized in Table 4-2.

Table 4-2. Summary of Assembler Directives

| DIRECTIVES THAT AFFECT THE LOCATION COUNTER | | |
|--|------------------------------------|---|
| MNEMONIC | DIRECTIVE | SYNTAX |
| AORG | Absolute origin | [{label}] ^ AORG ^ <expression> ^ [{comment}] |
| BES | Block ending with symbol | [{label}] ^ BES ^ <expression> ^ [{comment}] |
| BSS | Block starting with symbol | [{label}] ^ BSS ^ <expression> ^ [{comment}] |
| EVEN | Even boundary | [{label}] ^ EVEN ^ [{comment}] |
| DIRECTIVES THAT AFFECT ASSEMBLER OUTPUT | | |
| MNEMONIC | DIRECTIVE | SYNTAX |
| IDT | Program identifier | [{label}] ^ IDTR ^ <string> ^ [{comment}] |
| LIST | Restart source listing | [{label}] ^ LIST ^ <expression> ^ [{comment}] |
| OPTION | Output options | [{label}] ^ OPTION ^ <option list> ^ [{comment}] |
| PAGE | Page eject | [{label}] ^ PAGE ^ [{comment}] |
| TITL | Page title | [{label}] ^ TITL ^ <string> ^ [{comment}] |
| UNL | Stop source listing | [{label}] ^ UNL ^ [{comment}] |
| DIRECTIVES THAT INITIALIZE CONSTANTS | | |
| MNEMONIC | DIRECTIVE | SYNTAX |
| BYTE | Initialize byte | [{label}] ^ BYTE ^ <expr-1> ^ [, <expr-2>, . . . , <expr-n>] ^ [{comment}] |
| RBYTE | Reverse bit initialization of byte | [{label}] ^ RBYTE ^ <expr-1> ^ [, <expr-2>, . . . , <expr-n>] ^ [{comment}] |
| DATA | Initialize word | [{label}] ^ DATA ^ <expr-1> ^ [, <expr-2>, . . . , <expr-n>] ^ [{comment}] |
| RDATA | Reverse bit initialization of word | [{label}] ^ RDATA ^ <expr-1> ^ [, <expr-2>, . . . , <expr-n>] ^ [{comment}] |
| EQU | Define assembly-time | [{label}] ^ EQU ^ [{comment}] |
| TEXT | Initialize text | [{label}] ^ TEXT ^ [-]'<string>' ^ [{comment}] |
| RTEXT | Reverse bit initialization of text | [{label}] ^ RTEXT ^ [-]'<string>' ^ [{comment}] |
| MISCELLANEOUS DIRECTIVES | | |
| MNEMONIC | DIRECTIVE | SYNTAX |
| COPY | Copy source file | [{label}] ^ COPY ^ <filename> ^ [{comment}] |
| END | Program end | [{label}] ^ END ^ <symbol> ^ [{comment}] |

4.7.1 AORG Directive

The AORG directive places the value in the operand field into the location counter. Subsequent instructions will have addresses starting at this value. The use of the label field is optional, but when a label is used, it is assigned the value found in the operand field.

The syntax of the AORG directive is as follows:

```
[<label>] ^ AORG ^ <expression> ^ [<comment>]
```

EXAMPLE

```
AORG #1000 + OFFSET
```

The symbol 'OFFSET' must be predefined. If OFFSET has a value of 8, the location counter is set to #1008 by this directive. Had a label been included, the label would have been assigned the value of #1008.

4.7.2 BYTE Directive

The BYTE directive places the value of one or more expressions into successive bytes of program memory. The range of each term is 0 to 255. The command field contains BYTE. The operand field contains a series of terms separated by commas and terminated by blanks that represent the values to be placed in the successive bytes of program memory.

The syntax of the BYTE directive is as follows:

```
[<label>] ^ BYTE ^ <expr__1> [, <expr__2>, ..., <expr__n>] ^ [<comment>]
```

EXAMPLE

```
BYTE #E0,5,data + 5
```

The value of the symbol "data" must be defined in the assembly process. The example places the numbers 224, 5, and the result of the arithmetic operation data + 5 in the next three bytes of program memory.

4.7.3 BES Directive

The BES directive is used to reserve a block of memory. It advances the location counter by the value in the expression field. The label field may be used to assign the value of the memory location following the reserved block. The command field contains BES. The operand field contains a well-defined expression that represents a positive integer that gives the number of words to be added to the location counter. A well-defined expression is one that includes no symbols that are defined later in the source program.

The syntax of the BES directive is as follows:

```
[<label>] ^ BES ^ <expression> ^ [<comment>]
```

EXAMPLE

```
BES #20
```

The example increments the location counter by 32.

4.7.4 BSS Directive

The BSS directive is used to reserve a block of memory. It advances the location counter by the value in the expression field. The use of the label field is optional. When used, a label is assigned the value of the location of the first word in the block. The command field contains BSS. The operand field contains a well-defined expression that represents a positive integer that gives the number of words to be added to the location counter.

The syntax of the BSS directive is as follows:

```
[<label>] ^ BSS ^ <expression> ^ [<comment>]
```

EXAMPLE

```
BSS 20
```

The example increments the location counter by 20.

4.7.5 COPY Directive

The COPY directive causes the assembler to read source statements from a different file. The assembler will get subsequent statements from the copy file until either the end of file marker or an END directive is found in the copy file. A copy file cannot contain another COPY directive. The command field contains COPY. The operand field contains the name of the file from which the source files are read.

The syntax of the COPY directive is as follows:

```
[<label>] ^ COPY ^ <filename> ^ [<comment>]
```

EXAMPLE

```
COPY COPY.FIL
```

The directive in the example causes the assembler to take its source statements from a file called COPY.FIL. Until the end of file marker or an END directive is reached in COPY.FIL, the assembler continues processing source statements from the original source file.

4.7.6 DATA Directive

The DATA directive places the value of one or more expressions into successive words of program memory. The range of each term is 0 to 65535. The command field contains DATA. The operand field contains a series of one or more expressions separated by commas and terminated by a blank that represents the values to be placed in the successive bytes of program memory.

The syntax of the DATA directive is as follows:

```
[<label>] ^ DATA ^ <expr_1>, <expr_2>, . . . , <expr_n> ^ [<comment>]
```

EXAMPLE

```
DATA #E000, 'AB'
```

The example places the following bytes into successive locations in program memory: #E0, #00, #41, #42

4.7.7 EQU Directive

The EQU directive assigns a value to a symbol. The label field contains the name of the symbol to which a value will be assigned. The command field contains EQU. The operand field will contain the value to be assigned to the symbol.

The syntax of the EQU directive is as follows:

```
[<label>] ^ EQU ^ <expression> ^ [<comment>]
```

EXAMPLE

```
OFFSET EQU #100
```

The example assigns the numeric value of 256 (100 Hex) to the symbol OFFSET.

4.7.8 EVEN Directive

The EVEN directive forces the following instruction to start at an even address. The directive tests whether the following instruction is even. If it is at an even address, then nothing is done; otherwise, a short branch to the next location is inserted in the code.

The syntax of the EVEN directive is as follows:

```
[<label>] ^ EVEN ^ [<comment>]
```

EXAMPLE

```
          EVEN  
BR 1     CLA
```

The example forces the CLA instruction to an even address. In the process, the value of the label is made even. The EVEN directive should be used with the 8K mask option to ensure that all long branch destinations fall on even addresses.

NOTE: Since the EVEN directive produces an even alignment by using a short branch, the status flag is affected. No command that depends on the condition of the status flag for its function should immediately follow an EVEN directive.

4.7.9 END Directive

The END directive signals the end of the source or copy file. It is treated by the program as an end-of-file marker. If it is found in a copy file, the copy file is closed and subsequent statements are taken from the source file. If it is found in the source file, the assembly process terminates at that point in the file.

The syntax of the END directive is as follows:

```
[<label>] ^ END ^ [<comment>]
```

EXAMPLE

```
ACAA 1  
END  
CLA
```

In the example, the ACAA 1 instruction is assembled, but the CLA and any subsequent instructions are ignored. The END directive is not required, the end of the file serves the same purpose.

4.7.10 IDT Directive

The IDT directive assigns a name to the object module produced. If a label is used, it assumes the current value of the location counter. The command field contains IDT. The operand field contains the module name, which is a character string of up to eight characters within single quotes. When a character string of more than eight characters is entered, the assembler prints a truncation warning message and retains the first eight characters as the program name.

The syntax of the IDT directive is as follows:

```
[<label>] ^ IDT ^ '<string>' ^ [<comment>]
```

EXAMPLE

```
          AORG 20  
L 1      IDT 'Example'
```

The example assigns the value of 20 to the symbol L1 and assigns the name Example to the module being assembled. The module name is then printed in the source listing as the operand of the IDT directive and appears in the page heading of the source listing. The module name is also placed in the object code (if the tagged object format code is being produced).

4.7.11 LIST Directive

The LIST directive restores printing of the source listing. This directive is required only when a no source listing (UNL) directive is in effect. This directive is not printed in the source listing, but the line counter is increased.

The syntax of the LIST directive is as follows:

```
[<label>] ^ LIST ^ [<comment>]
```

EXAMPLE

```
AORG 10  
T1 LIST Turn on source listing
```

In the example, the label T1 is assigned the value 10, and listing is resumed. The line is not printed out, so that although the label T1 is entered into the symbol table and appears in the cross-reference listing, the line in which it is assigned a value does not appear in the listing file.

4.7.12 OPTION Directive

The OPTION directive selects several options that affect the assembler operation. The <option-list> operand is a list of keywords, separated by commas. Each keyword selects an assembly feature. Only the first character of the keyword is significant. Use of the label field is optional. When used, the label assumes the current value of the location counter.

The syntax of the OPTION directive is as follows:

```
[<label>] ^ OPTION ^ <option-list> ^ [<comment>]
```

EXAMPLE

```
OPTION 990,XREF,SCREEN  
OPTION 9,X,S
```

The two examples above have an identical effect. The binary object file is replaced by one in tagged object format. The cross-reference list is produced, and the error messages are not sent to the screen (unless no source listing file is being produced). The options that are available are listed in the paragraphs below.

4.7.12.1 BUNLST — Byte Unlist Option

This option limits the listing of BYTE or RBYTE directives to one line. If a BYTE or RBYTE directive has more than one operand, the resulting object code is listed in a column in the object column of the source listing. If the directive has ten operands, then ten lines are required in the source listing. BUNLST is used to avoid this.

4.7.12.2 DUNLST — Data Unlist Option

This option limits the listing of DATA or RDATA directives to one line. If a DATA or RDATA directive has more than one operand, the resulting object code is listed in the object column of the source listing. If the directive has ten operands, then ten lines are required in the source listing to list it. DUNLST is used to avoid this.

4.7.12.3 FUNLST — Byte, Data, and Text Unlist Option

This option limits the listing of BYTE, RBYTE, DATA, RDATA, TEXT, or RTEXT directives to one line. In effect, it is like calling the DUNLST, BUNLST, and the TUNLST directives at the same time.

4.7.12.4 LSTUNL — Listing Unlist Option

This option inhibits the listing file from being produced. It takes precedence over the LIST directive.

4.7.12.5 OBJJUNL — Object File Unlist Option

This option inhibits either of the object output files from being produced.

4.7.12.6 PAGEOF — Page Break Inhibit Option

This option causes the listing file to be printed in a continuous stream without page breaks.

4.7.12.7 RXREF — Reduced XREF Option

This option causes symbols that were found in copy files but never used to be omitted from the cross-reference list (if produced).

4.7.12.8 SCRNOF — Screen Error Message Unlist Option

This option causes the error messages not to be listed to the screen unless the listing file is not being produced.

4.7.12.9 TUNLST — Text Unlist Option

This option limits the listing of TEXT or RTEXT directives to one line. A TEXT or RTEXT directive takes as many lines to list as there are characters in the operand. TUNLST causes only the first line of the directive listing to be produced.

4.7.12.10 WARNOF — Warning Message Unlist Option

This option inhibits the listing of warning diagnostics. However, warnings are counted and the total is printed out at the end of the source listing.

4.7.12.11 XREF — Cross-Reference Listing Enable

This option causes a cross-reference list to be produced at the end of the source listing.

4.7.12.12 8KASM — 8K Assembler Mode Switch

This option causes the assembler to operate in 8K mode. This has the effect of dividing long branch destination values and checking if the long branch is to an even address. If a long branch is to an odd address, an error message is produced.

4.7.12.13 990 — Tagged Object Output Switch

This option causes the assembler to omit the binary coded object module (normally produced in a.bin file) and to produce instead a tagged object module in a.MPO file.

4.7.13 PAGE Directive

The PAGE directive forces the assembler to continue the source program listing on a new page. The PAGE directive is not printed in the source listing, but the line counter is increased. Use of the label field is optional. When used, a label assumes the current value of the location counter. The command field contains PAGE. The operand field is not used.

The syntax of the PAGE directive is as follows:

```
[<label>] ^ PAGE ^ [<comment>]
```

EXAMPLE

```
      AORG 10  
T1   PAGE      Force Page Eject
```

In the example, the label T1 is assigned the value 10, and listing is resumed. The line is not printed out, although the label T1 is entered into the symbol table and appears in the cross-reference list. The line in which it is assigned a value does not appear in the listing file.

4.7.14 RBYTE Directive

The RBYTE directive places the value of one or more expressions into successive bytes of program memory in a bit-reversed form. The range of each term is 0 to 255. The command field contains RBYTE. The operand field contains a series of one or more terms separated by commas and terminated by a blank that represents the values to be placed in the successive bytes of program memory.

The syntax of the BYTE directive is as follows:

```
[<label>] ^ RBYTE ^ <expr__1> [,<expr__2>, . . .,<expr__n>] ^  
[<comment>]
```

EXAMPLE

```
RBYTE #E0,5,data+5
```

The value of the symbol "data" must be defined in the assembly process. The example places the numbers 7 (07 Hex), 160 (A0 Hex) and the bit reversed result of the arithmetic operation (data + 5) in successive bytes of program memory. The value of "data" must be known to the assembler.

4.7.15 RDATA Directive

The RDATA directive places the value of one or more expressions into successive words of program memory in a bit-reversed form. The range of each term is 0 to 65535. The command field contains RDATA. The operand field contains a series of one or more terms separated by commas and terminated by a blank that represents the values to be placed in the successive words of program memory.

The syntax of the RDATA directive is as follows:

```
[<label>] ^ RDATA <expr__1> [,<expr__2>, . . .,<expr__n>] ^  
[<comment>]
```

EXAMPLE

```
DATA #E000,'AB'
```

The example places the following bytes into successive locations in program memory: #00, #07, #82, #24

4.7.16 RTEXT Directive

The RTEXT directive writes an ASCII string to the object file in reverse order. If the string is preceded by a minus sign, the last character of the string to be written (which is the first character of the string as given) is done with its most significant bit set high. When used, the label assumes the current value of the location counter. The command field contains RTEXT. The operand field contains a character string of up to 52 characters enclosed in single quotes (optionally preceded by a minus sign).

The syntax of the RTEXT directive is as follows:

```
[<label>] ^ RTEXT ^ [-]'<string>' ^ [<comment>]
```

EXAMPLE

```
RTEXT — 'This is a test'  
RTEXT — 'This is a test'
```

Both examples write the string 'tset a si sihT' to the output file. The first example will write the first 'T' in the word This [which is the last character to be written with its most significant bit set high (that is, as a #D4 instead of a #54)].

4.7.17 TEXT Directive

The TEXT directive writes an ASCII string to the object file. If the string is preceded by a minus sign, then the last character in the string is written with its most significant bit set high. When used, the label assumes the current value of the location counter. The command field contains TITL. The operand field contains a character string of up to 52 characters enclosed in single quotes (optionally preceded by a minus sign).

The syntax of the TEXT directive is as follows:

```
[<label>] ^ TEXT ^ [-]'<string>' ^ [<comment>]
```

EXAMPLE

```
TEXT — 'This is a test'  
TEXT — 'This is a test'
```

Both examples write the string 'This is a test' to the output file. The first example will write the final 't' in the word test with its most significant bit set high (that is, as a #F4 instead of a #74).

4.7.18 TITL Directive

The TITL directive supplies a title to be printed in the heading of each page of the source listing. If a title is desired, a TITL directive must be the first source statement submitted to the assembler. Unlike the IDT directive, the TITL directive is not printed in the source listing. The assembler does not print the comment because the TITL directive is not printed, but the line counter will increment. When used, a label field assumes the current value of the location counter. The command field contains TITL. The operand field contains the title, a character string of up to 50 characters enclosed in single quotes. When more than 50 characters are entered, the assembler retains the first 50 characters as the title and prints a syntax error message. The comment field is optional.

The syntax of the TITL directive is as follows:

```
[<label>] ^ TITL '<string>' ^ [<comment>]
```

EXAMPLE

```
TITL 'Sample Program' —This is a sample line
```

The example causes the title 'Sample Program' to be printed as the page heading of the source listing. When a TITL directive is the first source statement in a program, the title is printed on all pages until another TITL directive is processed. This line is not printed to the listing file.

4.7.19 UNL Directive

The UNL directive inhibits the printing of the source listing output until the occurrence of a LIST directive. It is not printed in the source listing, but the source line counter is incremented. When used, the label assumes the value of the location counter. The command field contains the symbol UNL. The operand field is not used.

The syntax of the UNL directive is as follows:

```
[<label>] ^ UNL ^ [<comment>]
```

EXAMPLE

```
AORG 10  
T1 UNL Turn off source listing
```

In this example, the label T1 is assigned the value 10, and listing is inhibited.

5 Instruction Set

There are 61 different TSP50C4X instructions. Most of them require only one instruction cycle to execute, although a few require two or three. Instruction cycles require 32 clock cycles each. For example, if the clock speed is 3.84 MHz., that translates to 120,000 instruction cycles per second.

TABLE 5-1. TSP50C4X Instruction Set

| Mnemonic | Operand size (bits) | Instruction cycles required | | | Description |
|----------|---------------------|-----------------------------|--------------------------------------|--------------------------|-------------------------|
| | | | Status (1 always set, C conditional) | Number of bytes required | |
| | | | | | |
| ACAA | 10 | 2 | 1 | 2 | Add constant to A |
| AMAAC | | 1 | C | 1 | Add memory to A |
| ANEC | 8 | 2 | C | 2 | A not equal to constant |
| BR | 12 | 2 | 1 | 2 | Branch if status is set |
| CALL | 12 | 2 | 1 | 2 | Call if status is set |
| CLA | | 1 | 1 | 1 | Clear A |
| CLB | | 1 | 1 | 1 | Clear B |
| CLX | | 1 | 1 | 1 | Clear X |
| DECMC | | 1 | C | 1 | Decrement memory |
| EXTRM | | 1 | 1 | 1 | External data ROM mode |
| EXTSG | | 1 | 1 | 1 | Extended sign mode |
| GET | 3 | * | 1 | 1 | Get bits from data |
| IBC | | 1 | C | 1 | Increment B |
| INCMC | | 1 | C | 1 | Increment memory |
| INTD | | 1 | 1 | 1 | Interrupt disable |
| INTE | | 1 | 1 | 1 | Interrupt enable |
| INTGR | | 1 | 1 | 1 | Integer mode |
| INTRM | | 1 | 1 | 1 | Internal data ROM mode |
| IXC | | 1 | C | 1 | Increment X |
| LAAA | | 2 | 1 | 1 | Lookup accumulator |
| LUSPS | | 2 | 1 | 1 | Lookup PS register |
| POP | | 1 | 1 | 1 | Pop stack |
| RBITM | 3 | 1 | 1 | 1 | Reset bit in memory |
| RETI | | 1 | C | 1 | Return from interrupt |
| RETN | | 1 | 1 | 1 | Return from subroutine |
| RSECT | | 1 | 1 | 1 | Reset timer source |

*The GET instruction requires three instruction cycles to execute if the parallel-to-serial register must be reloaded during the instruction. Otherwise it takes only two.

TABLE 5-1. TSP50C4X Instruction Set (Continued)

| Mnemonic | Operand size (bits) | Instruction cycles required | | | Description |
|----------|---------------------|-----------------------------|-------------------------------|--------------------------|-------------------------------------|
| | | Status | (1 always set, C conditional) | Number of bytes required | |
| RSRDY | | 1 | 1 | 1 | Reset RDY latch |
| SALA | | 1 | 1 | 1 | Shift A left |
| SARA | | 1 | 1 | 1 | Shift A right |
| SBITM | | 1 | 1 | 1 | Set bit in RAM |
| SBR | 7 | 1 | 1 | 1 | Short branch |
| SETOFF | | 1 | 1 | 1 | Turn processor off |
| SMAAN | | 1 | C | 1 | Subtract memory from A |
| START | | 1 | 1 | 1 | Start synthesis |
| STOP | | 1 | 1 | 1 | Stop synthesis |
| TAPA | | 1 | 1 | 1 | Transfer A to PA |
| TAPB | | 1 | 1 | 1 | Transfer A to PB |
| TAPD | | 1 | 1 | 1 | Transfer A to PD |
| TAM | | 1 | 1 | 1 | Transfer A to memory |
| TAPRF | | 1 | 1 | 1 | Transfer A to PF |
| TAPSC | | 1 | 1 | 1 | Transfer A to Prescale |
| TASH | | 1 | 1 | 1 | Transfer A to SA high |
| TASL | | 1 | 1 | 1 | Transfer A to SA low |
| TAV | | 1 | 1 | 1 | Transfer A to V latch |
| TAX | | 1 | 1 | 1 | Transfer A to X |
| TBA | | 1 | 1 | 1 | Transfer B to A |
| TBITA | 3 | 1 | C | 1 | Test bit in A |
| TBITM | 3 | 1 | C | 1 | Test bit in memory |
| TCX | 8 | 2 | 1 | 2 | Transfer constant to X |
| TMA | | 1 | 1 | 1 | Transfer memory to A |
| TMAIX | | 1 | 1 | 1 | Transfer memory to A, IXC |
| TMEDA | | 1 | 1 | 1 | Transfer memory to DAC |
| TPAA | | 1 | 1 | 1 | Transfer PA to A |
| TPAM | | 1 | 1 | 1 | Transfer PA to memory |
| TPCA | | 1 | 1 | 1 | Transfer PC to A |
| TTMA | | 1 | 1 | 1 | Transfer Timer to A |
| TXA | | 1 | 1 | 1 | Transfer X to A |
| TXPA | | 1 | 1 | 1 | Transfer X to PA |
| TXTM | | 1 | 1 | 1 | Transfer X to Timer |
| XBX | | 1 | 1 | 1 | Exchange B and X |
| XGEC | 8 | 2 | C | 2 | X greater than or equal to constant |

5.1 Instruction Format

The source code instruction format or syntax can be generally described as follows:

```
[⟨LABEL⟩ ^ ⟨opcode mnemonic⟩ ^ [⟨operand⟩ ^ ... [⟨COMMENT⟩]
```

The fields are:

- a 6-character optional label field,
- a 6-character opcode field,
- an opcode dependent operand field,
- and a comment field.

Each of the fields is separated by one or more tabs or spaces.

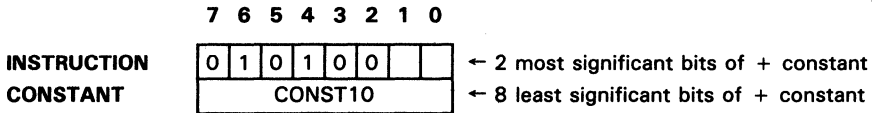
5.2 ACAA — Add Constant to A

ACTION: Adds a 10-bit specified constant in the operand field to the contents of the A register and stores the result back in the A register.

OPCODE: 50 — 53

SOURCE CODE: [**<LABEL>**] ^ ACAA ^ **<CONST10>** ^ ... [**<COMMENT>**]

OBJECT CODE:



EXECUTION RESULTS: (A) + CONST10 → (A)

STATUS FLAG: Always set to 1 after execution.

NOTE: The addition is performed independent of the arithmetic mode (EXTSG/INTGR) as an unsigned addition of all 10 bits of the constant and the A register. See subsection 6.2 for further information on arithmetic instructions.

This instruction is useful when a table index has been placed in the A register. The base address of the table can be added to the index with this address and a lookup can be completed to fetch the desired table element.

TABLE

| | | |
|------|-------|------------------------------------|
| TPAA | | Bring phrase number in from Port A |
| ACAA | TABLE | Add start of phrase pointer table |
| LUAA | | Bring pointer value into A |

5.3 AMAAC — Add Memory to A

ACTION: Adds the contents of RAM addressed by the X register to the lower eight bits of the A register and stores the result back in the A register.

OPCODE: 16

SOURCE CODE: [**<LABEL>**] ^ AMAAC ^ ...[**<COMMENT>**]

OBJECT CODE:

7 6 5 4 3 2 1 0

INSTRUCTION

| | | | | | | | |
|---|---|---|---|---|---|---|---|
| 0 | 0 | 0 | 1 | 0 | 1 | 1 | 0 |
|---|---|---|---|---|---|---|---|

EXECUTION RESULTS: (A) + (*X) → (A)

STATUS FLAG: Conditionally set to 1 if, as a result of the arithmetic operations, there is a carry into bit eight of the ALU. Else set to 0.

NOTE: The results of the addition are dependent on the arithmetic mode (EXTSG/INTGR) when the most significant bit of the memory being used is set. A carry into bit eight sets the status flag in all cases. See subsection 6.2 for further information on arithmetic instructions.

This instruction should be used when the sum of two variables is desired. It always adds the contents of the memory indexed by the X register to the A register.

| | | |
|-------|-------|-----------------------------------|
| TCX | VALU1 | Point at VALU1 in RAM |
| TMA | | Load VALU1 into A |
| TCX | VALU2 | Point at VALU2 in RAM |
| AMAAC | | Add VALU2 to VALU1 |
| TCX | VALU3 | Point at VALU3 in RAM |
| TAM | | Store result of addition in VALU3 |

5.4 ANEC — A Not Equal to Constant

ACTION: Compares the lower eight bits of the A register to the constant specified and sets the status flag if they are not equal.

OPCODE: 54

SOURCE CODE: [(LABEL)] ^ ANEC ^^ (CONST8)^... [(COMMENT)]

OBJECT CODE:

7 6 5 4 3 2 1 0

INSTRUCTION

| | | | | | | | |
|--------|---|---|---|---|---|---|---|
| 0 | 1 | 0 | 1 | 0 | 1 | 0 | 0 |
| CONST8 | | | | | | | |

CONSTANT

EXECUTION RESULTS: if (A) <> CONST8 then 1 → SF
if (A) = CONST8 then 0 → SF

STATUS FLAG: Set to 1 if the lower eight bits of the A register are not equal to the 8-bit constant. Set to 0 if the two 8-bit values are equal.

NOTE: Only the lower eight bits of the A register are compared to the 8-bit constant value. The upper two bits of the A register are not considered, and as a result, the operation is independent of the arithmetic mode INTGR or EXTSG.

ANEC TESTY Is A equal to TESTY
SBR NOTEG Branch if not

EQUAL
NOTEQ

5.5 BR — Branch

ACTION: If the status flag is set to 1, the program counter is loaded with the address specified and execution proceeds from that address. If the 8K mask option is selected, the address will be loaded into bits one to twelve of the program counter and bit zero will be a 0. In the 4K mode, bits zero to eleven will be loaded. Otherwise, the instruction following the BR instruction executes.

OPCODE: 60 — 6F

SOURCE CODE: [**<LABEL>**] ^ BR ^^^^ **<ADDR12>**.. [**<COMMENT>**]

OBJECT CODE:

7 6 5 4 3 2 1 0

INSTRUCTION

| | | | | | | | |
|--------|---|---|---|--|--|--|--|
| 0 | 1 | 1 | 0 | | | | |
| ADDR12 | | | | | | | |

ADDRESS

EXECUTION RESULTS: if SF = 1 then ADDR12 → Program Counter
if SF = 0 then Program Counter → Program Counter

STATUS FLAG: Always set to 1 after execution.

NOTE: The branch instruction is a conditional instruction. When a branch is used following an instruction, which always leaves the status flag set high, the branch can be viewed as unconditional. See the Applications section for further information on branching/programming flow modification.

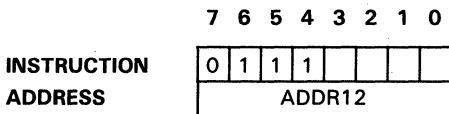
5.6 CALL — Call Subroutine

ACTION: If the status flag is set to 1, the contents of the program counter are pushed onto the stack and the program counter loaded with the address specified. Execution proceeds from that address. If the 8K mask option is selected, the address will be loaded into bits one to twelve of the program counter and bit zero will be a 0. In the 4K mode, bits zero to eleven will be loaded. Otherwise, the instruction following the CALL instruction executes.

OPCODE: 70 — 7F

SOURCE CODE: [\langle LABEL \rangle] ^ CALL ^^ \langle ADDR12 \rangle ... [\langle COMMENT \rangle]

OBJECT CODE:



EXECUTION RESULTS: if SF = 1 then Program Counter \rightarrow STACK and
ADDR12 \rightarrow Program Counter

STATUS FLAG: Always set to 1 after execution.

NOTE: The program counter stack is capable of storing addresses up to five levels deep. An address is pushed onto the STACK whenever a timer interrupt occurs or when the CALL, GET, LUAA, or LUSPS instructions are executed. For GET, LUAA, and LUSPS, the address is popped from the stack before the instruction is complete.

The call instruction is a conditional instruction. When a call is used following an instruction, which always leaves STATUS high, it can be viewed as unconditional. See the Applications section for further information on branching/programming flow modification.

5.7 CLA — Clear A Register

ACTION: Sets the contents of the A register to 0.

OPCODE: 00

SOURCE CODE: [\langle LABEL \rangle] ^ CLA ^^^ ...[\langle COMMENT \rangle]

OBJECT CODE:

7 6 5 4 3 2 1 0

INSTRUCTION

| | | | | | | | |
|---|---|---|---|---|---|---|---|
| 0 | 0 | 0 | 0 | 0 | 0 | 0 | 0 |
|---|---|---|---|---|---|---|---|

EXECUTION RESULTS: 0 \rightarrow (A)

STATUS FLAG: Always set to 1 after execution.

NOTE: This instruction is used to initialize the A register prior to loading it with a constant, using ACAA or shifting some number of bits from the parallel-to-serial register into the A register.

CLA
ACAA CONST Add constant to A register

CLA
GET 3 Get bits from data ROM

5.8 CLB — Clear B Register

ACTION: Sets the contents of the B register to 0.

OPCODE: 12

SOURCE CODE: [\langle LABEL \rangle] ^ CLB ^^ ...[\langle COMMENT \rangle]

OBJECT CODE:

7 6 5 4 3 2 1 0

| | | | | | | | |
|---|---|---|---|---|---|---|---|
| 0 | 0 | 0 | 1 | 0 | 0 | 1 | 0 |
|---|---|---|---|---|---|---|---|

EXECUTION RESULTS: 0 \rightarrow (B)

STATUS FLAG: Always set to 1 after execution.

5.9 CLX — Clear X Register

ACTION: The contents of the X register are set to 0.

OPCODE: 11

SOURCE CODE: [\langle LABEL \rangle] ^ CLX ^^ ...[\langle COMMENT \rangle]

OBJECT CODE:

7 6 5 4 3 2 1 0

INSTRUCTION

| | | | | | | | |
|---|---|---|---|---|---|---|---|
| 0 | 0 | 0 | 1 | 0 | 0 | 0 | 1 |
|---|---|---|---|---|---|---|---|

EXECUTION RESULTS: 0 \rightarrow (X)

STATUS FLAG: Always set to 1 after execution.

NOTE: This instruction is used to initialize the X register.

5.10 DECMC — Decrement Memory

ACTION: Decrements the contents of the RAM location pointed to by the X register. If the memory location contains 00, it is set to FF and the status flag is set. Otherwise, the memory is decremented and the status flag is cleared.

OPCODE: 5F

SOURCE CODE: [\langle LABEL \rangle] ^ DECMC ^...[\langle COMMENT \rangle]

OBJECT CODE:

7 6 5 4 3 2

INSTRUCTION

| | | | | | | | |
|---|---|---|---|---|---|---|---|
| 0 | 1 | 0 | 1 | 1 | 1 | 1 | 1 |
|---|---|---|---|---|---|---|---|

EXECUTION RESULTS: (*X) - 1 → (*X)

STATUS FLAG: Set if memory went from 0 to FF during instruction; otherwise cleared.

5.11 EXTRM — External ROM Mode

ACTION: Changes the path to the parallel-to-serial register from the internal ROM to the external ROM input data buffer.

OPCODE: 2B

SOURCE CODE: [{<LABEL>} ^ EXTRM ^ ...{<COMMENT>}]

OBJECT CODE:

7 6 5 4 3 2 1 0

INSTRUCTION

| | | | | | | | |
|---|---|---|---|---|---|---|---|
| 0 | 0 | 1 | 0 | 1 | 0 | 1 | 1 |
|---|---|---|---|---|---|---|---|

EXECUTION RESULTS:

1. Access path for data into the parallel-to-serial register changed from internal ROM to the external ROM input data buffer.
2. Output a (OSC/16, 50% duty cycle) clock to the PB6 pin.
3. Change PB7 output to RDIN input from the external ROM to the internal ROM buffer.
4. If a 0 is written to Port B, then the output clock is generated for the TSP60CXX by the GET instruction.

STATUS FLAG: Always set to 1 after execution.

NOTE: This mode is used to enable the interface to an external TSP60CXX.

This instruction changes the source for ROM data acquisition but does not initialize either the internal registers or the external ROM. Refer to Section 6 for more information on TSP60CXX interface.

5.12 EXTSG – Sign Mode

ACTION: Changes ALU to extended sign mode.

OPCODE: 29

SOURCE CODE: [⟨LABEL⟩] ^ EXTSG ^...[⟨COMMENT⟩]

OBJECT CODE:

| | | | | | | | | |
|--------------------|---|---|---|---|---|---|---|---|
| | 7 | 6 | 5 | 4 | 3 | 2 | 1 | 0 |
| INSTRUCTION | 0 | 0 | 1 | 0 | 1 | 0 | 0 | 1 |

EXECUTION RESULTS: The upper two bits of the ALU are filled with the value from bit seven for future arithmetic operations and data transfers to the A register.

STATUS FLAG: Always set to 1 after execution.

NOTE: This instruction affects all data from RAM, ports, B register, X register, or timer register that is being transferred to the A register or being added to or subtracted from the current A register value. See Section 6 for more information.

5.13 GET — Get Data from ROM

ACTION: Transfers N bits of data from ROM to the A register via the parallel-to-serial register.

OPCODE: 20 — 27

SOURCE CODE: [**<LABEL>**] ^ GET^^^ **<N>** ^...[**<COMMENT>**]

OBJECT CODE:

7 6 5 4 3 2 1 0

INSTRUCTION AND

| | | | | | |
|---|---|---|---|---|-----|
| 0 | 0 | 1 | 0 | 0 | N-1 |
|---|---|---|---|---|-----|

NUMBER OF BITS

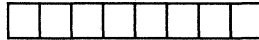
EXECUTION RESULTS: N bits of data are transferred from the LSB of the parallel-to-serial register to the LSB of the A register. This reverses the order of the bits in the A register from the order in the parallel-to-serial register. If more bits are required than are in the parallel-to-serial register, an additional byte is fetched from the ROM.

STATUS FLAG: Always set to 1 after execution.

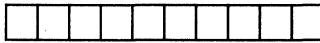
NOTE: The data is shifted out of the LSB of the parallel-to-serial register and into the LSB of the A register resulting in a bit reversal of any single byte of data transferred into the A register from the order stored in the ROM.

Parallel-to-Serial Register

7 6 5 4 3 2 1 0



9 8 7 6 5 4 3 2 1 0



A Register

Parallel-to-Serial Register

BEFORE

| | | | | | | | |
|---|---|---|---|---|---|---|---|
| 1 | 0 | 1 | 1 | 0 | 1 | 1 | 1 |
|---|---|---|---|---|---|---|---|

A register

| | | | | | | | | | |
|---|---|---|---|---|---|---|---|---|---|
| 0 | 0 | 0 | 0 | 0 | 0 | 0 | 0 | 0 | 0 |
|---|---|---|---|---|---|---|---|---|---|

GET5

AFTER

| | | | | | | | |
|---|---|---|---|---|---|---|---|
| - | - | - | - | - | 1 | 0 | 1 |
|---|---|---|---|---|---|---|---|

| | | | | | | | | | |
|---|---|---|---|---|---|---|---|---|---|
| 0 | 0 | 0 | 0 | 0 | 1 | 1 | 1 | 0 | 1 |
|---|---|---|---|---|---|---|---|---|---|

If more bits are requested than are immediately available in the parallel-to-serial register, a third instruction cycle is used to load the parallel-to-serial register with the next ROM data byte and transfer the remaining bits to the A register to satisfy the request.

Prior to the first use of the GET instruction, the GET counter and the parallel-to-serial register must be initialized. This initialization is accomplished by the LUSPS instruction, independent of the ROM source mode.

The EXTRM instruction causes the GET instruction to fetch data from an external ROM. The INTRM instruction causes GET to work with the internal TSP50C4X ROM.

During execution, the GET instruction pushes the program counter onto the stack and then pops it again. This uses up one stack level that cannot be used for other purposes. If there are five values on the stack and a GET instruction is executed, the bottom value will be lost.

5.14 IBC — Increment B Register

ACTION: Increments the contents of the B register by 1.

OPCODE: 13

SOURCE CODE: [\langle LABEL \rangle] ^ IBC ^^^...[\langle COMMENT \rangle]

OBJECT CODE:

7 6 5 4 3 2 1 0

INSTRUCTION

| | | | | | | | |
|---|---|---|---|---|---|---|---|
| 0 | 0 | 0 | 1 | 0 | 0 | 1 | 1 |
|---|---|---|---|---|---|---|---|

EXECUTION RESULTS: (B) + 1 → (B)

STATUS FLAG: Conditionally set to 1 when B goes from FF to 0 as a result of the arithmetic operation; otherwise set to 0.

NOTE: The status flag will only be set when the B register contains the value FF prior to the execution of the IBC instruction. In this case, the status flag will be set and the B register value will be 0. See subsection 6.2 for further information on arithmetic instructions.

LOOP

| | | |
|-----|------|------------------------------------|
| IBC | | Increment loop counter |
| SBR | LOOP | Branch if no loop counter overflow |

5.15 INCMC — Increment Memory

ACTION: Increments the contents of the RAM location pointed to by the X register. If the memory location contains FF, sets it to 00. Also sets the status flag. Otherwise, increments the memory and clears the status flag.

OPCODE: 5E

SOURCE CODE: [\langle LABEL \rangle] ^ INCMC ^...[\langle COMMENT \rangle]

OBJECT CODE:

7 6 5 4 3 2 1 0

INSTRUCTION

| | | | | | | | |
|---|---|---|---|---|---|---|---|
| 0 | 1 | 0 | 1 | 1 | 1 | 1 | 0 |
|---|---|---|---|---|---|---|---|

EXECUTION RESULTS: ($\ast X$) + 1 \rightarrow ($\ast X$)

STATUS FLAG: Set if memory went from FF to 0 during instruction; otherwise cleared.

5.16 INTD — Interrupt Disable

ACTION: Disables the timer from interrupting the present process flow.

OPCODE: 1D

SOURCE CODE: [\langle LABEL \rangle] ^ INTD ^^...[\langle COMMENT \rangle]

OBJECT CODE:

7 6 5 4 3 2 1 0

INSTRUCTION

| | | | | | | | |
|---|---|---|---|---|---|---|---|
| 0 | 0 | 0 | 1 | 1 | 1 | 0 | 1 |
|---|---|---|---|---|---|---|---|

EXECUTION RESULTS: The timer interrupt is disabled.

STATUS FLAG: Always set to 1 after execution.

NOTE: Only the timer interrupt is disabled. The timer register continues to decrement until an interrupt state is reached. When the interrupt state is reached, the timer interrupt is set and the timer register value is left at the FF value. If the interrupt is disabled as a result of this instruction, it becomes a pending interrupt until the processor reset or until the INTE instruction is executed.

5.17 INTE — Interrupt Enable

ACTION: Permits timer interrupts to occur and enables interpolation for one frame.

OPCODE: 1E

SOURCE CODE: [\langle LABEL \rangle ^ INTE ^^ ...[\langle COMMENT \rangle]

OBJECT CODE:

7 6 5 4 3 2 1 0

INSTRUCTION

| | | | | | | | |
|---|---|---|---|---|---|---|---|
| 0 | 0 | 0 | 1 | 1 | 1 | 1 | 0 |
|---|---|---|---|---|---|---|---|

EXECUTION RESULTS: Enable the timer to interrupt the present process flow when the timer register decrements past zero.

STATUS FLAG: Always set to 1 after execution.

NOTE: If the timer register has been reset, it will be decremented until an interrupt state is reached. When the interrupt state is reached, the timer register value is left at the FF value. If the interrupt is disabled as a result of the INTD instruction, it becomes a pending interrupt until it is reset or until this instruction is executed.

5.18 INTGR — Integer Mode

ACTION: Changes the state of the ALU to integer mode.

OPCODE: 2A

SOURCE CODE: {<LABEL> ^ INTGR ^...{<COMMENT>}

OBJECT CODE:

7 6 5 4 3 2 1 0

INSTRUCTION

| | | | | | | | |
|---|---|---|---|---|---|---|---|
| 0 | 0 | 1 | 0 | 1 | 0 | 1 | 0 |
|---|---|---|---|---|---|---|---|

EXECUTION RESULTS: The upper two bits of the ALU are filled with zeros for future arithmetic operations.

STATUS FLAG: Always set to 1 after execution.

NOTE: This instruction affects all data from RAM, ports, B register, X register, or timer register that is being transferred to the A register or being added to or subtracted from the current A register value.

5.19 INTRM — Internal ROM Mode

ACTION: Makes the internal ROM the source for GET instruction data transfers.

OPCODE: 2C

SOURCE CODE: [\langle LABEL \rangle] ^ INTRM ^ ...[\langle COMMENT \rangle]

OBJECT CODE:

7 6 5 4 3 2 1 0

INSTRUCTION

| | | | | | | | |
|---|---|---|---|---|---|---|---|
| 0 | 0 | 1 | 0 | 1 | 1 | 0 | 0 |
|---|---|---|---|---|---|---|---|

EXECUTION RESULTS:

1. Access path for data into the parallel-to-serial register changed to internal ROM from the external ROM input data buffer.
2. Change PB6 to a data output pin.
3. Change PB7 to an output pin.
4. Change PBO to output only from Port B.

STATUS FLAG: Always set to 1 after execution.

NOTE: This instruction changes the source for ROM data acquisition but does not initialize any internal registers. Port B becomes an 8-bit output port as a result of this instruction.

WARNING! This instruction makes the PB7 pin an output. If the system uses a TSP60CXX for external memory, its output must be disabled before the INTRM instruction is executed. Otherwise, bus contention and high power consumption may occur.

5.20 IXC — Increment X Register

ACTION: Increments the contents of the X register by 1.

OPCODE: OF

SOURCE CODE: [\langle LABEL \rangle] ^ IXC ^... [\langle COMMENT \rangle]

OBJECT CODE:

7 6 5 4 3 2 1 0

INSTRUCTION

| | | | | | | | |
|---|---|---|---|---|---|---|---|
| 0 | 0 | 0 | 0 | 1 | 1 | 1 | 1 |
|---|---|---|---|---|---|---|---|

EXECUTION RESULTS: $(X) + 1 \rightarrow (X)$

STATUS FLAG: Set to 1 if X increments from FF to 0, otherwise set to 0.

NOTE: The status flag will only be set when the X register contains the value #FF prior to the execution of the IXC instruction. In this case, the status flag will be set and the X register value will be 0.

LOOP

| | | |
|-----|------|-------------------------------|
| IXC | | Increment loop counter |
| SBR | LOOP | Branch if no counter overflow |

5.21 LUAA — Lookup with A Register

ACTION: Replaces the contents of the A register by the contents of the ROM addressed by the A register.

OPCODE: 58

SOURCE CODE: [**<LABEL>**] ^ LUAA ^^...[**<COMMENT>**]

OBJECT CODE:

7 6 5 4 3 2 1 0

INSTRUCTION

| | | | | | | | |
|---|---|---|---|---|---|---|---|
| 0 | 1 | 0 | 1 | 1 | 0 | 0 | 0 |
|---|---|---|---|---|---|---|---|

EXECUTION RESULTS: (*A) → (A)

STATUS FLAG: Always set to 1 after execution.

NOTE: The program counter stack is capable of storing addresses up to five levels deep. An address is pushed onto the stack whenever a timer interrupt occurs or when the CALL, GET, LUAA, or LUSPS instructions are executed. For GET, LUAA, and LUSPS, the address is popped from the stack before the instruction is complete.

Since the A register is a 10-bit register, this instruction allows lookup access to the first 1K bytes of ROM.

TABLE

| | | |
|------|-------|------------------------------------|
| TPAA | | Bring phrase number in from Port A |
| ACAA | TABLE | Add start of phase pointer table |
| LUAA | | Bring pointer value into A |

5.22 LUSPS — Lookup with Speech Address Register

ACTION: Replaces the contents of the parallel-to-serial register with the contents of the internal ROM addressed by the speech address register, increments the speech address register, sets the parallel-to-serial register counter to eight bits to indicate that the parallel-to-serial register is full.

OPCODE: 59

SOURCE CODE: [\langle LABEL \rangle] ^ LUSPS ^ [\langle COMMENT \rangle]

OBJECT CODE:

7 6 5 4 3 2 1 0

INSTRUCTION

| | | | | | | | |
|---|---|---|---|---|---|---|---|
| 0 | 1 | 0 | 1 | 1 | 0 | 0 | 1 |
|---|---|---|---|---|---|---|---|

EXECUTION RESULTS: (*SA) \rightarrow (PS)
(SA) + 1 \rightarrow (SA)

STATUS FLAG: Always set to 1 after execution.

NOTE: The program counter stack is capable of storing addresses up to five levels deep. An address is pushed onto the STACK whenever a timer interrupt occurs or when the CALL, GET, LUAA, or LUSPS instructions are executed. For GET, LUAA, and LUSPS, the address is popped from the stack before the instruction is complete.

Since the speech address register is a 14-bit register, this instruction allows lookup into any of the 16K bytes of internal ROM on the TSP50C43 and TSP50C44. On the TSP50C41 and TSP50C42, there are 8K bytes available.

| | | |
|-------|------|---|
| TCX | ADDR | Point to RAM location with the high five bits of the speech counter |
| TMAIX | | Speech pointer to A, point at low byte in RAM |
| TASH | | Speech pointer to SAR |
| TMA | | Low byte of speech pointer into A |
| TASL | | Low byte of speech pointer into SAR |
| LUSPS | | Initialize parallel-to-serial register. |

5.23 POP — Pop Top Stack Location

ACTION: Pops and discards the top location on the stack. Moves all other stack values up by one.

OPCODE: 57

SOURCE CODE: [**<LABEL>**] ^ POP ^ **<N>** ^...[**<COMMENT>**]

OBJECT CODE:

7 6 5 4 3 2 1 0

INSTRUCTION

| | | | | | | | |
|---|---|---|---|---|---|---|---|
| 0 | 1 | 0 | 1 | 0 | 1 | 1 | 1 |
|---|---|---|---|---|---|---|---|

EXECUTION RESULTS: Top of stack popped and discarded

STATUS FLAG: Always set to 1 after execution.

5.24 RBITM — Reset Bit in Memory

ACTION: Addresses Bit N of the RAM with the X register and resets it to 0. Where N = 1 through 8.

OPCODE: 48 — 4F

SOURCE CODE: [\langle LABEL \rangle] ^ RBITM ^ \langle N \rangle ^...[\langle COMMENT \rangle]

OBJECT CODE:

7 6 5 4 3 2 1 0
INSTRUCTION AND BIT NUMBER

| | | | | | |
|---|---|---|---|---|-----|
| 0 | 1 | 0 | 0 | 1 | N-1 |
|---|---|---|---|---|-----|

EXECUTION RESULTS: 0 \rightarrow (RAM(*X register, *N - 1))

STATUS FLAG: Always set to 1 after execution.

NOTE: Any bit in the internal RAM can be reset as a result of this instruction.

5.25 RETI — Return from Timer Interrupt

ACTION: Retrieves the old contents of the A register, status flag, and X register from the interrupt storage locations. Pops the top value from the stack to the program counter and resumes execution from the new address in the program counter.

OPCODE: 2F

SOURCE CODE: [\langle LABEL \rangle] ^ RETI ^^...[\langle COMMENT \rangle]

OBJECT CODE:

7 6 5 4 3 2 1 0

INSTRUCTION

| | | | | | | | |
|---|---|---|---|---|---|---|---|
| 0 | 0 | 1 | 0 | 1 | 1 | 1 | 1 |
|---|---|---|---|---|---|---|---|

EXECUTION RESULTS: (A') \rightarrow (A)
(X') \rightarrow (X)
(SF') \rightarrow (SF)
(top of Program Counter Stack) \rightarrow (Program Counter)

STATUS FLAG: Restored to value before interrupt

NOTE: The contents of the B register are not saved during interrupt.

5.26 RETN — Return from Subroutine

ACTION: Pops the top value from the stack and resumes execution from the new address.

OPCODE: 1F

SOURCE CODE: [\langle LABEL \rangle] ^ RETIN^^ ...[\langle COMMENT \rangle]

OBJECT CODE:

7 6 5 4 3 2 1 0

INSTRUCTION

| | | | | | | | |
|---|---|---|---|---|---|---|---|
| 0 | 0 | 0 | 1 | 1 | 1 | 1 | 1 |
|---|---|---|---|---|---|---|---|

EXECUTION RESULTS: top of stack \rightarrow (Program Counter)

STATUS FLAG: Always set to 1 after execution.

5.27 RSECT — Reset Prescale Clock Source to Internal Mode

ACTION: Resets prescale clock source as the internal clock.

OPCODE: 2E

SOURCE CODE: [<LABEL>] ^ RSECT ^ ... [<COMMENT>]

OBJECT CODE:

7 6 5 4 3 2 1 0

INSTRUCTION

| | | | | | | | |
|---|---|---|---|---|---|---|---|
| 0 | 0 | 1 | 0 | 1 | 1 | 1 | 0 |
|---|---|---|---|---|---|---|---|

EXECUTION RESULTS: Internal clock gated to decrement the timer prescale register.

STATUS FLAG: Always set to 1 after execution.

5.28 RSRDY — Reset $\overline{\text{RDY}}$ Pin

ACTION: Resets the $\overline{\text{RDY}}$ pin to a low logic level.

OPCODE: 1C

SOURCE CODE: [\langle LABEL \rangle] ^ RSRDY ^...[\langle COMMENT \rangle]

OBJECT CODE:

7 6 5 4 3 2 1 0

INSTRUCTION

| | | | | | | | |
|---|---|---|---|---|---|---|---|
| 0 | 0 | 0 | 1 | 1 | 1 | 0 | 0 |
|---|---|---|---|---|---|---|---|

EXECUTION RESULTS: 0 \rightarrow $\overline{\text{RDY}}$

STATUS FLAG: Always set to 1 after execution.

NOTE: The $\overline{\text{RDY}}$ pin is set high when the $\overline{\text{ENA2}}$ pin is pulled low by the external system. The $\overline{\text{RDY}}$ pin will go low only if the external system is not actively holding the $\overline{\text{ENA2}}$ pin low. This instruction is used if the TSP50C4X is masked for the slave option.

5.29 SALA — Shift A Register Left Arithmetic

ACTION: Shifts the contents of the A register to the left towards MSB by one bit and fills the LSB with a 0.

OPCODE: 19

SOURCE CODE: [\langle LABEL \rangle ^ SALA ^...[\langle COMMENT \rangle]

OBJECT CODE:

7 6 5 4 3 2 1 0

INSTRUCTION

| | | | | | | | |
|---|---|---|---|---|---|---|---|
| 0 | 0 | 0 | 1 | 1 | 0 | 0 | 1 |
|---|---|---|---|---|---|---|---|

EXECUTION RESULTS: $(A)_i \rightarrow (A)_{i+1}$
 $0 \rightarrow (A)_1$

STATUS FLAG: Always set to 1 after execution.

NOTE: Only data shifted out of bit 9 of the A register is lost. The results do not depend on the arithmetic mode (EXTSG/INTGR).

5.30 SARA — Shift A Register Right Arithmetic

ACTION: Shifts the contents of the A register to the right toward LSB by one bit and fills the MSB with its old value.

OPCODE: 18

SOURCE CODE: [⟨LABEL⟩] ^ SARA ^^ ...[⟨COMMENT⟩]

OBJECT CODE:

7 6 5 4 3 2 1 0

INSTRUCTION

| | | | | | | | |
|---|---|---|---|---|---|---|---|
| 0 | 0 | 0 | 1 | 1 | 0 | 0 | 0 |
|---|---|---|---|---|---|---|---|

EXECUTION RESULTS: (A)_i → (A)_{i-1}
(A)₉ → (A)₉

STATUS FLAG: Always set to 1 after execution.

NOTE: The execution of this instruction is independent of the arithmetic mode (EXTSG/INTGR).

5.31 SBITM — Set Bit in Memory

ACTION: Bit N of the RAM memory addressed by the X register is set to 1. Where
N = 1 through 8

OPCODE: 38 – 3F

SOURCE CODE: [\langle LABEL \rangle] ^ SBITM ^ \langle N \rangle ^ ... [\langle COMMENT \rangle]

OBJECT CODE:

7 6 5 4 3 2 1 0

INSTRUCTION

AND BIT NUMBER

| | | | | | |
|---|---|---|---|---|-----|
| 0 | 0 | 1 | 1 | 1 | N-1 |
|---|---|---|---|---|-----|

EXECUTION RESULTS: 1 \rightarrow (RAM(*X,*N-1))

STATUS FLAG: Always set to 1 after execution.

NOTE: Any bit in the internal RAM can be set as a result of this instruction.

5.32 SBR — Short Branch

ACTION: When the status flag is set to 1, the lower seven bits of the program counter are replaced by the value specified and execution proceeds from that address. Otherwise, the instruction following the SBR instruction is executed.

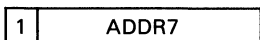
OPCODE: 80

SOURCE CODE: [{<LABEL>} ^ SBR ^ <ADDR7> ^ ..]{<COMMENT>}

OBJECT CODE:

7 6 5 4 3 2 1 0

**INSTRUCTION
AND ADDRESS**



EXECUTION RESULTS:

if SF = 1 then ADDR7 + Program Counter PAGE → Program Counter
if SF = 0 then Program Counter → Program Counter

STATUS FLAG: Always set to 1 after execution.

NOTE: The short branch instruction is a conditional instruction. When a short branch is used following an instruction that always leaves the status flag high, the short branch can be viewed as unconditional. See the Applications section for further information on branching/programming flow modification.

The program counter is incremented when the instruction is fetched. Placing a SBR at address 07F relative to the current page will result in a branch to the next page. This occurs because the program counter value will be 000 relative to the following page at the time of execution.

5.33 SETOFF — Set Processor to Off Mode

ACTION: The processor is placed in a low-power mode. The clock is stopped. Bidirectional ports are made inputs and all outputs are cleared. RAM memory is retained.

OPCODE: 5A

SOURCE CODE: [⟨LABEL⟩ ^ SETOFF ^ ...[⟨COMMENT⟩]

OBJECT CODE:

7 6 5 4 3 2 1 0

INSTRUCTION

| | | | | | | | |
|---|---|---|---|---|---|---|---|
| 0 | 1 | 0 | 1 | 1 | 0 | 1 | 0 |
|---|---|---|---|---|---|---|---|

EXECUTION RESULTS: Processor powered down

STATUS FLAG: State at power up not guaranteed.

5.34 SMAAN — Subtract Memory from A Register

ACTION: The contents of the RAM memory addressed by the X register are subtracted from the lower eight bits of the A register and the result is stored back in the A register.

OPCODE: 17

SOURCE CODE: [**<LABEL>**] ^ SMAAN ^ ...[**<COMMENT>**]

OBJECT CODE:

7 6 5 4 3 2 1 0

INSTRUCTION

| | | | | | | | |
|---|---|---|---|---|---|---|---|
| 0 | 0 | 0 | 1 | 0 | 1 | 1 | 1 |
|---|---|---|---|---|---|---|---|

EXECUTION RESULTS: (A) - (*X) → (A)

STATUS FLAG: Conditionally set to 1 when the memory is equal to or less than the A register; otherwise set to 0.

NOTE: The subtraction results are dependent on the arithmetic mode (EXTSG/INTGR) when the most significant bit of the memory being used is set. A carry into bit 8 sets the status flag in all cases. See subsection 6.2 for further information on arithmetic instructions.

This instruction should be used when the difference of two variables is desired. It subtracts the contents of the memory indexed by the X register from the A register.

| | | |
|-------|-------|--------------------------------------|
| TCX | VALU1 | Point at VALU1 in RAM |
| TMA | | Load VALU1 into A register |
| TCX | VALU2 | Point at VALU2 in RAM |
| SMAAN | | Subtract VALU2 from VALU1 |
| TCX | VALU3 | Point at VALU3 in RAM |
| TAM | | Store result of subtraction in VALU3 |

5.35 START — Start Synthesizer

ACTION: Starts the filter clock, enables the LPC-10 lattice filter, and loads the pitch register from the A register.

OPCODE: 1A

SOURCE CODE: [<LABEL> ^ START ^ ... [<COMMENT>]

OBJECT CODE:

7 6 5 4 3 2 1 0

INSTRUCTION

| | | | | | | | |
|---|---|---|---|---|---|---|---|
| 0 | 0 | 0 | 1 | 1 | 0 | 1 | 0 |
|---|---|---|---|---|---|---|---|

EXECUTION RESULTS: Enable the lattice filter to output speech using the parameters stored in RAM.

(A) → (pitch)

STATUS FLAG: Always set to 1 after execution.

NOTE: Since the START instruction loads the pitch register in addition to starting the filter clock, make sure that the correct value is in the A register when it is executed. After the START, the filter will get pitch information from the specified RAM location.

5.36 STOP — Stop Synthesizer

ACTION: Stops the filter clock, disables the LPC-10 lattice filter.

OPCODE: 1B

SOURCE CODE: [\langle LABEL \rangle] ^ STOP ^^ ...[\langle COMMENT \rangle]

OBJECT CODE:

7 6 5 4 3 2 1 0

INSTRUCTION

| | | | | | | | |
|---|---|---|---|---|---|---|---|
| 0 | 0 | 0 | 1 | 1 | 0 | 1 | 1 |
|---|---|---|---|---|---|---|---|

EXECUTION RESULTS: Disable the lattice filter and stop speech output.

STATUS FLAG: Always set to 1 after execution.

NOTE: The STOP instruction resets the filter data acquisition mode from the direct digital-to-analog mode established by the TMEDA instruction. It also disables the context switch and sets it to its default condition.

5.37 TAPA — Transfer A to Port A

ACTION: Transfers the contents of the lower eight bits of the A register to the Port A latch. If the TSP50C4X is masked for the master option, Port A becomes an output port. If the TSP50C4X is masked for the slave option and the $\overline{\text{IRT}}$ pin is masked as an output, the $\overline{\text{IRT}}$ pin is driven low.

OPCODE: 08

SOURCE CODE: [\langle LABEL \rangle] ^ TAPA ^^^...[\langle COMMENT \rangle]

OBJECT CODE:

7 6 5 4 3 2 1 0

INSTRUCTION

| | | | | | | | |
|---|---|---|---|---|---|---|---|
| 0 | 0 | 0 | 0 | 1 | 0 | 0 | 0 |
|---|---|---|---|---|---|---|---|

EXECUTION RESULTS: (A) \rightarrow (PA)

if processor masked for slave option and $\overline{\text{IRT}}$ output 0 $\overline{\text{IRT}}$

if processor masked for master option, Port A becomes an output port.

STATUS FLAG: Always set to 1 after execution.

NOTE: This instruction is used to send commands or status to the external system. When the TSP50C4X device is masked for the slave option, $\overline{\text{IRT}}$ going low indicates to the host that new data are available. Port A will remain in a high-impedance state until the external system activates it by pulling one or both enable lines active low. This will cause $\overline{\text{IRT}}$ to go to a 1. See subsection 6.3 for a complete discussion of slave option.

In the master option, Port A becomes an output port and the data appear on the pins immediately.

5.38 TAPB — Transfer A Register to Port B

ACTION: Transfers the contents of the lower eight bits of the A register to Port B.

OPCODE: 15

SOURCE CODE: [\langle LABEL \rangle] ^ TAPB ^^ ... [\langle COMMENT \rangle]

OBJECT CODE:

7 6 5 4 3 2 1 0

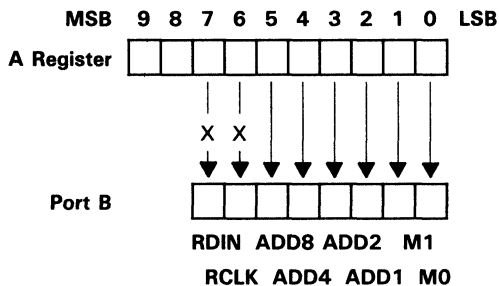
INSTRUCTION

| | | | | | | | |
|---|---|---|---|---|---|---|---|
| 0 | 0 | 0 | 1 | 0 | 1 | 0 | 1 |
|---|---|---|---|---|---|---|---|

EXECUTION RESULTS: (A) \rightarrow (PB)

STATUS FLAG: Always set to 1 after execution.

NOTE: Port B is configured as an 8-bit output port for the internal ROM mode (see INTRM instruction). For the external ROM mode (see EXTRM) only the lower six bits of the A register are transferred to Port B (a clock is presented on bit 6 and bit 7 becomes an input).



5.39 TAPD — Transfer A Register to Port D

ACTION: Transfers the contents of the lower eight bits of the A register to Port D.

OPCODE: 5C

SOURCE CODE: [\langle LABEL \rangle] ^ TAPD ^^...[\langle COMMENT \rangle]

OBJECT CODE:

7 6 5 4 3 2 1 0

INSTRUCTION

| | | | | | | | |
|---|---|---|---|---|---|---|---|
| 0 | 1 | 0 | 1 | 1 | 1 | 0 | 0 |
|---|---|---|---|---|---|---|---|

EXECUTION RESULTS: (A) \rightarrow (PD)

STATUS FLAG: Always set to 1 after execution.

5.40 TAM — Transfer A Register to Memory

ACTION: Transfers the contents of the lower eight bits of the A register to the RAM addressed by the X register.

OPCODE: 09

SOURCE CODE: [⟨LABEL⟩ ^ TAM ^^^ ...[⟨COMMENT⟩]

OBJECT CODE:

7 6 5 4 3 2 1 0

INSTRUCTION

| | | | | | | | |
|---|---|---|---|---|---|---|---|
| 0 | 0 | 0 | 0 | 1 | 0 | 0 | 1 |
|---|---|---|---|---|---|---|---|

EXECUTION RESULTS: (A) → (*X)

STATUS FLAG: Always set to 1 after execution.

5.41 TAPRF — Transfer A Register to Pitch Fractional Register

ACTION: Transfers bits 4-7 of the A register to the fractional part of the pitch register.

OPCODE: 0C

SOURCE CODE: {<LABEL> ^ TAPRF ^...{<COMMENT>}

OBJECT CODE:

7 6 5 4 3 2 1 0

INSTRUCTION

| | | | | | | | |
|---|---|---|---|---|---|---|---|
| 0 | 0 | 0 | 0 | 1 | 1 | 0 | 0 |
|---|---|---|---|---|---|---|---|

EXECUTION RESULTS: (A)7-4 → (PF)

STATUS FLAG: Always set to 1 after execution.

NOTE: The TAPRF instruction is included mainly for compatibility with the TSP50C4X devices. It is only useful on the first frame of synthesis because the synthesizer gets its fractional pitch from a RAM location after that.

5.42 TAPSC — Transfer A Register to Prescale Register

ACTION: Transfers the lower eight bits of the A register to the prescale register.

OPCODE: 5D

SOURCE CODE: [\langle LABEL \rangle] ^ TAPSC ^ ... [\langle COMMENT \rangle]

OBJECT CODE:

7 6 5 4 3 2 1 0

INSTRUCTION

| | | | | | | | |
|---|---|---|---|---|---|---|---|
| 0 | 1 | 0 | 1 | 1 | 1 | 0 | 1 |
|---|---|---|---|---|---|---|---|

EXECUTION RESULTS: (A)7-0 \rightarrow (prescale register)

STATUS FLAG: Always set to 1 after execution.

NOTE: The prescale circuit divides the timer clock by the value set by this instruction plus 1. The output of the prescale circuit is used as a clock for the timer register.

5.43 TASH – Transfer A Register to Speech Address Register High

ACTION: Transfers the lower six bits of the A register to the upper six bits of the speech address register.

OPCODE: 0B

SOURCE CODE: [\langle LABEL \rangle] ^ TASH ^^...[\langle COMMENT \rangle]

OBJECT CODE:

7 6 5 4 3 2 1 0

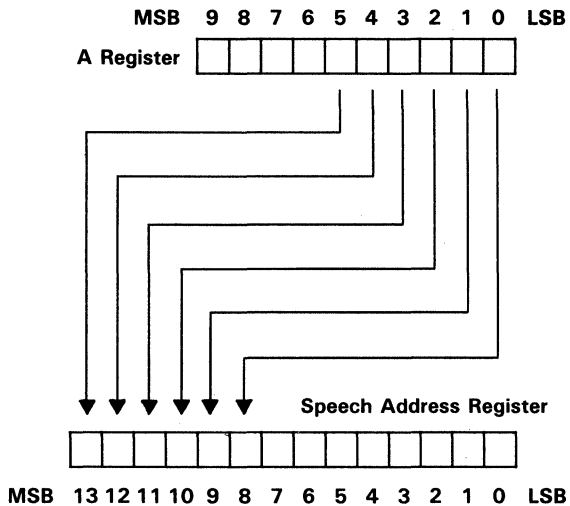
INSTRUCTION

| | | | | | | | |
|---|---|---|---|---|---|---|---|
| 0 | 0 | 0 | 0 | 1 | 0 | 1 | 1 |
|---|---|---|---|---|---|---|---|

EXECUTION RESULTS: (A)5-0 \rightarrow (SA)13-8

STATUS FLAG: Always set to 1 after execution.

NOTE:



5.44 TASL — Transfer A Register to Speech Address Register Low

ACTION: Transfers the lower eight bits of the A register to the lower eight bits of the speech address register.

OPCODE: 0A

SOURCE CODE: [\langle LABEL \rangle] ^ TASL ^^ ...[\langle COMMENT \rangle]

OBJECT CODE:

7 6 5 4 3 2 1 0

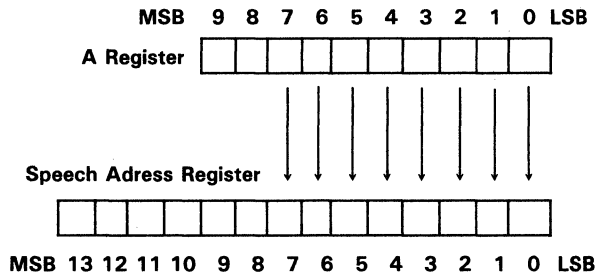
INSTRUCTION

| | | | | | | | |
|---|---|---|---|---|---|---|---|
| 0 | 0 | 0 | 0 | 1 | 0 | 1 | 0 |
|---|---|---|---|---|---|---|---|

EXECUTION RESULTS: (A)7-0 \rightarrow (SA)7-0

STATUS FLAG: Always set to 1 after execution.

NOTE:



5.45 TAV — Transfer A Register to Voicing Latch

ACTION: Transfers bit 0 of the A register to the voicing latch.

OPCODE: 5B

SOURCE CODE: [⟨LABEL⟩ ^ TAV ^...[⟨COMMENT⟩]

OBJECT CODE:

7 6 5 4 3 2 1 0

INSTRUCTION

| | | | | | | | |
|---|---|---|---|---|---|---|---|
| 0 | 1 | 0 | 1 | 1 | 0 | 1 | 1 |
|---|---|---|---|---|---|---|---|

EXECUTION RESULTS: (A)0 → (voicing latch)

STATUS FLAG: Always set to 1 after execution.

NOTE: The voicing latch selects either pitch excitation (1) or unvoiced white noise excitation (0).

5.46 TAX — Transfer A Register to X Register

ACTION: Transfers the lower eight bits of the A register to the X register.

OPCODE: 07

SOURCE CODE: [\langle LABEL \rangle] ^ TAX ^...[\langle COMMENT \rangle]

OBJECT CODE:

7 6 5 4 3 2 1 0

INSTRUCTION

| | | | | | | | | |
|---|---|---|---|---|---|---|---|---|
| 0 | 0 | 0 | 0 | 0 | 0 | 1 | 1 | 1 |
|---|---|---|---|---|---|---|---|---|

EXECUTION RESULTS: (A) \rightarrow (X)

STATUS FLAG: Always set to 1 after execution.

5.47 TBA — Transfer B Register to A Register

ACTION: Transfers the contents of the B register to the lower eight bits of the A register.

OPCODE: 02

SOURCE CODE: [\langle LABEL \rangle] ^ TBA ^^...[\langle COMMENT \rangle]

OBJECT CODE:

7 6 5 4 3 2 1 0

INSTRUCTION

| | | | | | | | | |
|---|---|---|---|---|---|---|---|---|
| 0 | 0 | 0 | 0 | 0 | 0 | 0 | 1 | 0 |
|---|---|---|---|---|---|---|---|---|

EXECUTION RESULTS:

sign extended mode (B) → (A)7-0
(B)7 → (A)9-8
integer mode (B) → (A)7-0
0 → (A)9-8

STATUS FLAG: Always set to 1 after execution.

5.48 TBITA — Test Bit in A Register

ACTION: Tests bit N of the A register and sets the status flag accordingly. Where N = 1 through 8.

OPCODE: 30-37

SOURCE CODE: {<LABEL>} ^ TBITA ^ <N> ^...{<COMMENT>}

OBJECT CODE:

7 6 5 4 3 2 1 0

INSTRUCTION

| | | | | | |
|---|---|---|---|---|-----|
| 0 | 0 | 1 | 1 | 0 | N-1 |
|---|---|---|---|---|-----|

EXECUTION RESULTS: (A)N - 1 → STATUS FLAG

STATUS FLAG: Set according to tested bit.

NOTE: This instruction is used to test a bit in the A register. The two upper bits of the A register cannot be tested directly by this instruction. To test the two upper bits, a shift must first be executed to shift bits 9 and 8 into bits 7 and 6.

5.49 TBITM — Test Bit in Memory

ACTION: Tests bit N of the RAM addressed by the X register and sets the status flag accordingly. Where N = 1 through 8.

OPCODE: 40-47

SOURCE CODE: [\langle LABEL \rangle] ^ TBIT ^ \langle N \rangle ^...[\langle COMMENT \rangle]

OBJECT CODE:

7 6 5 4 3 2 1 0
INSTRUCTION

| | | | | | |
|---|---|---|---|---|-----|
| 0 | 1 | 0 | 0 | 0 | N-1 |
|---|---|---|---|---|-----|

EXECUTION RESULTS: (*X)N - 1 → STATUS FLAG

STATUS FLAG: Set according to tested bit.

NOTE: Any bit of the internal RAM can be tested with this instruction.

5.50 TCX — Transfer Constant to X Register

ACTION: Loads the X register with the 8-bit constant specified in the operand field.

OPCODE: 56

SOURCE CODE: [\langle LABEL \rangle] ^ TCX ^^^ \langle CONST8 \rangle ^...[\langle COMMENT \rangle]

OBJECT CODE:

7 6 5 4 3 2 1 0

INSTRUCTION
CONSTANT

| | | | | | | | |
|--------|---|---|---|---|---|---|---|
| 0 | 1 | 0 | 1 | 0 | 1 | 1 | 0 |
| CONST8 | | | | | | | |

EXECUTION RESULTS: CONST8 → (X)

STATUS FLAG: Always set to 1 after execution.

5.51 TMA — Transfer Memory to A Register

ACTION: Transfers the contents of the RAM addressed by the X register to the lower eight bits of the A register.

OPCODE: 04

SOURCE CODE: [<LABEL>] ^ TMA ^^^... [<COMMENT>]

OBJECT CODE:

7 6 5 4 3 2 1 0

INSTRUCTION

| | | | | | | | |
|---|---|---|---|---|---|---|---|
| 0 | 0 | 0 | 0 | 0 | 1 | 0 | 0 |
|---|---|---|---|---|---|---|---|

EXECUTION RESULTS:

sign extended mode (*X) → (A)7-0
 (*X)7 → (A)9-8
integer mode (*X) → (A)7-0
 0 → (A)9-8

STATUS FLAG: Always set to 1 after execution.

5.52 TMAIX — Transfer Memory to A Register and Increment X Register

ACTION: Transfers the contents of the RAM memory addressed by the X register to the lower eight bits of the A register and increments the X register.

OPCODE: 05

SOURCE CODE: [\langle LABEL \rangle ^ TMAIX ^ ...[\langle COMMENT \rangle]

OBJECT CODE:

7 6 5 4 3 2 1 0

INSTRUCTION

| | | | | | | | | |
|---|---|---|---|---|---|---|---|---|
| 0 | 0 | 0 | 0 | 0 | 0 | 1 | 0 | 1 |
|---|---|---|---|---|---|---|---|---|

EXECUTION RESULTS: (*X) \rightarrow (A)7-0

sign extended mode (*X)7 \rightarrow (A)9-8

(*X) \rightarrow (A)7-0

integer mode 0 \rightarrow (A)9-8

(X) + 1 \rightarrow (X)

STATUS FLAG: Always set to 1 after execution.

5.53 TMEDA — Transfer Memory to DAC

ACTION: Clears all feedback data calculated in the filter so that data is transferred directly to the DAC from RAM location 00.

OPCODE: 28

SOURCE CODE: [\langle LABEL \rangle] ^ TMEDA ^...[\langle COMMENT \rangle]

OBJECT CODE:

7 6 5 4 3 2 1 0

INSTRUCTION

| | | | | | | | |
|---|---|---|---|---|---|---|---|
| 0 | 0 | 1 | 0 | 1 | 0 | 0 | 0 |
|---|---|---|---|---|---|---|---|

EXECUTION RESULTS: Set filter control to clear filter feedback data and load DAC directly with data stored at RAM address >00.

STATUS FLAG: Always set to 1 after execution.

NOTE: The data is taken from RAM in two's complement format. It is taken every 12 instruction cycles whether it is changed or not. It is necessary to execute the START instruction also to enable the data path to the DAC. Executing the STOP instruction turns the DAC off and disables the TMEDA function. Refer subsection 6.6 for more detail.

5.54 TPAA — Transfer Port A to A Register

ACTION: Transfers the contents of Port A to the lower eight bits of the A register.
Makes Port A an input port if masked in the master option.

OPCODE: 03

SOURCE CODE: [(LABEL)] ^ TPAA ^^...[(COMMENT)]

OBJECT CODE:

7 6 5 4 3 2 1 0

INSTRUCTION

| | | | | | | | |
|---|---|---|---|---|---|---|---|
| 0 | 0 | 0 | 0 | 0 | 0 | 1 | 1 |
|---|---|---|---|---|---|---|---|

EXECUTION RESULTS:

sign extended mode (PA) → (A)7-0
(PA)7 → (A)9-8

integer mode (PA) → (A)7-0
0 → (A)9-8

STATUS FLAG: Always set to 1 after execution.

NOTE: If switching Port A from output mode to input mode with this instruction, disregard the data brought in by the first instruction. Execute it once to make it an input port and then execute a second TPAA to bring in valid data.

5.55 TPAM — Transfer Port A to Memory

ACTION: Transfers the contents of Port A to RAM addressed by the X register. Makes Port A an input port if the TSP50C4X devices are masked for the master option.

OPCODE: 14

SOURCE CODE: [\langle LABEL \rangle] ^ TPAM ^...[\langle COMMENT \rangle]

OBJECT CODE:

7 6 5 4 3 2 1 0

INSTRUCTION

| | | | | | | | |
|---|---|---|---|---|---|---|---|
| 0 | 0 | 0 | 1 | 0 | 1 | 0 | 0 |
|---|---|---|---|---|---|---|---|

EXECUTION RESULTS: (PA) \rightarrow (*X)

STATUS FLAG: Always set to 1 after execution.

NOTE: If switching Port A from output mode to input mode with this instruction, disregard the data brought in by the first instruction. Execute it once to make it an input port and then execute a second TPAM to bring in valid data.

5.56 TPCA — Transfer Port C to A Register

ACTION: Master Option: Transfers the data on Port C to the lower eight bits of the A register.

Slave Option: Transfers the $\overline{\text{RDY}}$ and $\overline{\text{IRT}}$ status flags to bit 0 and bit 1 of the register and bits 4 to 7 of Port C to bits 4 to 7 of the A register.

OPCODE: 06

SOURCE CODE: [\langle LABEL \rangle] ^ TPCA ^^...[\langle COMMENT \rangle]

OBJECT CODE:

7 6 5 4 3 2 1 0

INSTRUCTION

| | | | | | | | | |
|---|---|---|---|---|---|---|---|---|
| 0 | 0 | 0 | 0 | 0 | 0 | 1 | 1 | 0 |
|---|---|---|---|---|---|---|---|---|

EXECUTION RESULTS:

Master option:

sign extended mode (PC) → (A)7-0

(PC)7 → (A)9-8

integer mode (PC) → (A)7-0

0 → (A)9-8

Slave option:

(RDY) → (A)0

(IRT) → (A)1

(PC)4 → (A)4

(PC)5 → (A)5

(PC)6 → (A)6

(PC)7 → (A)7

STATUS FLAG: Always set to 1 after execution.

NOTE: For the TSP50C41 and TSP50C43, bits 4-7 will always be high.

5.57 TTMA – Transfer Timer to A Register

ACTION: Transfers the contents of the timer register to the lower eight bits of the A register and makes the $\overline{\text{IRT}}$ pin an input to the prescale clock.

OPCODE: 2D

SOURCE CODE: [\langle LABEL \rangle] ^ TTMA ^^...[\langle COMMENT \rangle]

OBJECT CODE:

7 6 5 4 3 2 1 0

INSTRUCTION

| | | | | | | | |
|---|---|---|---|---|---|---|---|
| 0 | 0 | 1 | 0 | 1 | 1 | 0 | 1 |
|---|---|---|---|---|---|---|---|

EXECUTION RESULTS:

sign extended mode (timer) \rightarrow (A)7-0
(timer)7 \rightarrow (A)9-8
integer mode (timer) \rightarrow (A)7-0
0 \rightarrow (A)9-8

STATUS FLAG: Always set to 1 after execution.

NOTE: This instruction is the only way to make the $\overline{\text{IRT}}$ pin the prescale clock source.

5.58 TXA — Transfer X Register to A Register

ACTION: Transfers the contents of the X register to the lower eight bits of the A register.

OPCODE: 01

SOURCE CODE: [⟨LABEL⟩] ^ TXA ^...[⟨COMMENT⟩]

OBJECT CODE:

7 6 5 4 3 2 1 0

INSTRUCTION

| | | | | | | | | |
|---|---|---|---|---|---|---|---|---|
| 0 | 0 | 0 | 0 | 0 | 0 | 0 | 0 | 1 |
|---|---|---|---|---|---|---|---|---|

EXECUTION RESULTS: (X) → (A)7-0
sign extended mode (X)7→ (A)9-8
(X) → (A)7-0
integer mode 0→ (A)9-8

STATUS FLAG: Always set to 1 after execution.

5.59 TXPA — Transfer X Register to Port A

ACTION: Transfers the contents of the X register to Port A. Makes Port A an output port if masked for master option.

OPCODE: 0D

SOURCE CODE: [\langle LABEL \rangle] ^ TXD ^ ... [\langle COMMENT \rangle]

OBJECT CODE:

7 6 5 4 3 2 1 0

INSTRUCTION

| | | | | | | | |
|---|---|---|---|---|---|---|---|
| 0 | 0 | 0 | 0 | 1 | 1 | 0 | 1 |
|---|---|---|---|---|---|---|---|

EXECUTION RESULTS: (X) \rightarrow (PA)

if processor masked for slave mode and $\overline{\text{IRT}}$ output 0 \rightarrow $\overline{\text{IRT}}$

if processor masked for master mode, PA becomes an output port.

STATUS FLAG: Always set to 1 after execution.

NOTE: This instruction is used to send commands or status to the external system. When the TSP50C4X devices are masked for the slave option, $\overline{\text{IRT}}$ going low indicates to the host that new data are available. Port A will remain in a high impedance state until the external system activates it by pulling one or both enable lines active low. This will cause $\overline{\text{IRT}}$ to go to a 1. See subsection 6.3 for a complete discussion of the slave option.

In the master option, Port A is an output port and the data appear on the pins immediately.

5.60 TXTM — Transfer X Register to Timer

ACTION: Transfers the contents of the X register to the timer register.

OPCODE: 10

SOURCE CODE: [\langle LABEL \rangle] ^ TXTM ^...[\langle COMMENT \rangle]

OBJECT CODE:

7 6 5 4 3 2 1 0

INSTRUCTION

| | | | | | | | |
|---|---|---|---|---|---|---|---|
| 0 | 0 | 0 | 1 | 0 | 0 | 0 | 0 |
|---|---|---|---|---|---|---|---|

EXECUTION RESULTS: (X) \rightarrow (timer)

STATUS FLAG: Always set to 1 after execution.

NOTE: This instruction is used to load the timer register with an initial value. Since the timer interrupt occurs when the timer decrements from 0, the value loaded into the timer register should be 1 less than the number of timer cycles desired.

5.61 XBX — Exchange B Register with X Register

ACTION: Exchanges the contents of the B register with the contents of the X register.

OPCODE: 0E

SOURCE CODE: [\langle LABEL \rangle] ^ XBX ^...[\langle COMMENT \rangle]

OBJECT CODE:

7 6 5 4 3 2 1 0

INSTRUCTION

| | | | | | | | |
|---|---|---|---|---|---|---|---|
| 0 | 0 | 0 | 0 | 1 | 1 | 1 | 0 |
|---|---|---|---|---|---|---|---|

EXECUTION RESULTS: (B) \leftrightarrow (X)

STATUS FLAG: Always set to 1 after execution.

NOTE: This instruction can be used to keep and exchange two index pointers, swap a loop value and index pointer for testing, or load a constant value into the B register.

5.62 XGEC - X Register Greater Than or Equal to Constant

ACTION: Compares the contents of the X register and the constant specified and sets the status flag accordingly.

OPCODE: 55

SOURCE CODE: [**<LABEL>**] ^ XGEC ^ **<CONST8>** ^...[**<COMMENT>**]

OBJECT CODE:

7 6 5 4 3 2 1 0

INSTRUCTION

| | | | | | | | |
|--------|---|---|---|---|---|---|---|
| 0 | 1 | 0 | 1 | 0 | 1 | 0 | 1 |
| CONST8 | | | | | | | |

CONSTANT

EXECUTION RESULTS: SF = (X) : CONST8

STATUS FLAG: Set to 1 if the value of the X register is greater than or equal to the 8-bit constant. Set to 0 if the value of the X register is lower than the 8-bit constant.

NOTE:

| | | |
|------|-------|----------------|
| XGEC | TESTV | Is X > = TESTV |
| SBR | GTE | Branch if so |

LESS

GTE

6 Applications

This section presents programming techniques for specific parts of a TSP50C4X device:

- 6.1 – Synthesizer Control
- 6.2 – Arithmetic Modes
- 6.3 – Standby Mode
- 6.4 – Slave Option
- 6.5 – TSP60CXX Interface
- 6.6 – Use of the TMEDA Instruction
- 6.7 – Use of Timer, Prescaler, Interrupts and IRT Pin
- 6.8 – Use of the Stack

6.1 Synthesizer Control

In this section, a sample program demonstrates how to control the synthesizer in the TSP50C4X devices. This program causes the devices to synthesize speech from data stored in the TSP5220 format. It is described here in several steps:

- 6.1.1 – Speech Coding and Decoding
- 6.1.2 – RAM Usage
- 6.1.3 – ROM Usage
- 6.1.4 – Program Overview
- 6.1.5 – Calling the Synthesis Program
- 6.1.6 – Synthesis Program Walkthrough

6.1.1 Speech Coding and Decoding

The TSP50C4X devices support linear predictive coding with ten K parameters. For more information see, "Introduction to LPC", subsection 1.7.

The LPC model requires three types of information:

1. Pitch
2. Energy
3. 10 K parameters

Pitch parameters control the input into the LPC system by providing one of two excitation signals. If the pitch code is nonzero, a periodic pulse similar to that produced by human vocal cords is created. A good example of the periodic sound is the "A" vowel sound. If the pitch code is 0, a white noise source similar to the turbulence generated by constricted airflow in the mouth is used. An example of this is the "F" sound. The LPC-10 model is entirely digital; thus the excitation function is a series of digital data samples.

The excitation function specified by the pitch code is then multiplied by the "energy" parameter. The output of the multiplication is put into a filter whose resonance is determined by ten K parameters. To model the resonance of the

vocal tract, the output of the LPC-10 model is a series of digital samples, typically at an 8- or 10-kHz rate, that are then put into the DAC.

The sample program decodes the parameters and puts them into the right RAM locations at the proper time. It also starts, stops, and controls the synthesizer.

The parameters are stored in a coded form. Each parameter is given a specific number of bits. In the TSP5220 format, the parameters are calculated and coded every 200 samples. For a 10-kHz sampling rate, this corresponds to 20 milliseconds per frame. Different frame types are used for different circumstances. The TSP5220 decoding scheme is shown in Figure 6.2.

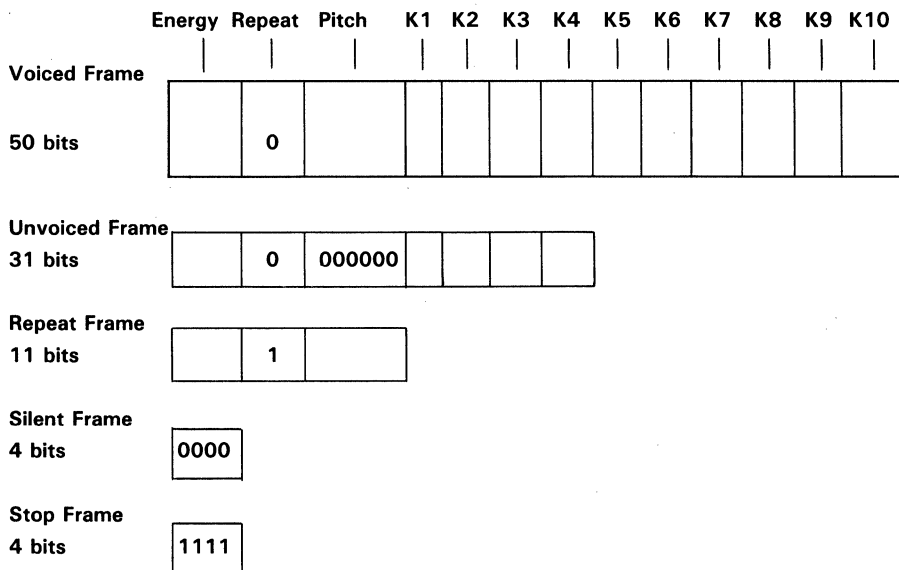


Figure 6-1. TSP5220 Frame Decoding

The longest frame type is the voiced frame. This provides all LPC-10 parameters. For unvoiced frames, which are indicated by a pitch of 0, only the pitch, energy, and first four K parameters are provided. The repeat frame is indicated by a repeat bit value of 1 and provides only pitch and energy. It is used in situations in which the vocal tract resonance is changing very slowly and pitch and energy are varying. Long vowels are a good example of this.

The silent frame is indicated by an energy value of 0 and is used for the parts of speech that are silent.

A stop frame, indicated by an energy value of 1111 (binary), tells the processor that a particular word or phrase has ended and that control must be returned to the phrase selection program.

All of the frames are arranged as serial bit streams. This means that a frame can start at any bit position within a given byte of memory. The GET instruction is used to get bits from memory in a serial fashion, freeing the programmer from bit manipulation tasks. Once the bits for a particular parameter are extracted from the bit stream, they must be decoded before use in the synthesizer. The K10 unpacking and decoding process is shown in Figure 6-2.

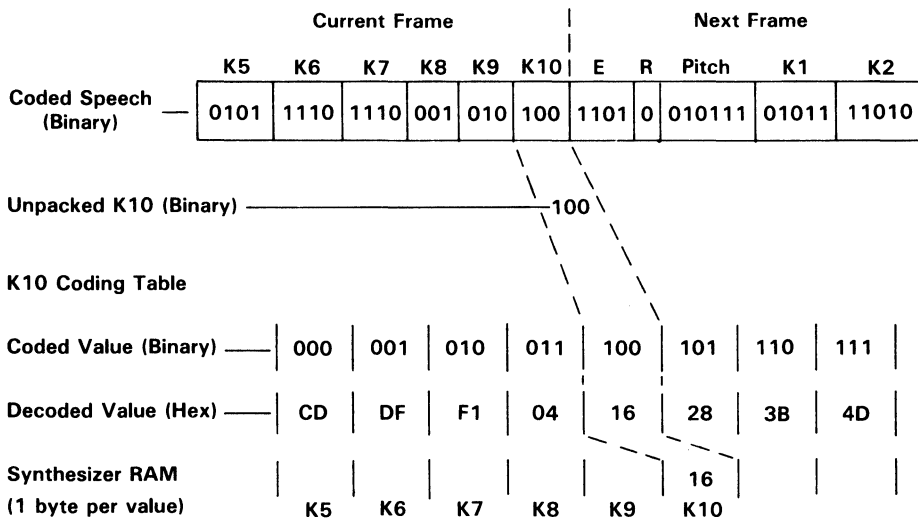


Figure 6-2. Speech Parameter Unpacking and Decoding

To decode speech, the processor must do the following three things:

1. Determine the frame type.
2. Unpack each parameter.
3. Decode each parameter using that parameter's coding table.

The specific details of these operations are given in subsection 6.1.4 — Program Overview. The processor is also required to decide if each frame should be interpolated. Interpolation is used to smooth out the transitions between frames. Most of the time, speech changes smoothly. If 20-ms frames are used without interpolation, changes occur abruptly and the speech sounds rough. The TSP50C4X devices provide automatic interpolation of parameters.

This means that the energy, pitch, and ten K parameters will change several times during the frame so that there is a smooth transition from the previous frame to the current one. Refer to subsection 2.22.3 for more information on this process.

Sometimes, speech changes quickly. For instance, in the case of voicing transitions, speech changes rapidly from voiced to unvoiced or vice versa. The sample program disables interpolation at voicing transitions.

6.1.2 RAM Usage

The sample program uses 8-bit-wide RAM locations 0 to 28 (hex), as well as 4-bit-wide locations from 80 to 87 (hex).

Some RAM locations used in the program are fixed by the architecture of the TSP50C4X, such as present and new values of energy, pitch, and K parameters. The most significant eight bits of the various parameters are put in value locations. In addition, there are fractional value locations that will take four bits more for energy, pitch, and K1 through K6. This permits these parameters to be entered with more precision if desired. Table 6-1 lists the names and addresses for the synthesizer RAM locations. All addresses are in hexadecimal, and the names in parentheses are the labels used in the sample program.

Table 6-1. Synthesizer RAM Addresses

| | | | |
|----|------------------------|----|----------------------------|
| 00 | Pitch new value (PNV) | 01 | Pitch present value (PPV) |
| 02 | Energy new value (ENV) | 03 | Energy present value (EPV) |
| 04 | K1 new value (K1NV) | 05 | K1 present value (K1PV) |
| 06 | K2 new value (K2NV) | 07 | K2 present value (K2PV) |
| 08 | K3 new value (K3NV) | 09 | K3 present value (K3PV) |
| 0A | K4 new value (K4NV) | 0B | K4 present value (K4PV) |
| 0C | K5 new value (K5NV) | 0D | K5 present value (K5PV) |
| 0E | K6 new value (K6NV) | 0F | K6 present value (K6PV) |
| 10 | K7 new value (K7NV) | 11 | K7 present value (K7PV) |
| 12 | K8 new value (K8NV) | 13 | K8 present value (K8PV) |
| 14 | K9 new value (K9NV) | 15 | K9 present value (K9PV) |
| 16 | K10 new value (K10NV) | 17 | K10 present value (K10PV) |

Fractional values (lower four bits of the RAM location only)

| | | | |
|----|----------------------------|----|--------------------------------|
| 80 | Pitch new fraction (FPNV) | 81 | Pitch present fraction (FPPV) |
| 82 | Energy new fraction (FENV) | 83 | Energy present fraction (FEPV) |
| 84 | K1 new fraction (FK1NV) | 85 | K1 present fraction (FK1PV) |
| 86 | K2 new fraction (FK2NV) | 87 | K2 present fraction (FK2PV) |
| 88 | K3 new fraction (FK3NV) | 89 | K3 present fraction (FK3PV) |
| 8A | K4 new fraction (FK4NV) | 8B | K4 present fraction (FK4PV) |
| 8C | K5 new fraction (FK5NV) | 8D | K5 present fraction (FK5PV) |
| 8E | K6 new fraction (FK6NV) | 8F | K6 present fraction (FK6PV) |

Note: This sample program does not use fractions for pitch and K3 to K6.

If interpolation is enabled, the TSP50C4X devices interpolate from the present values to the new values during the frame. If interpolation is not enabled, the present values are used for the entire frame. When the synthesizer is active, each interrupt causes an automatic context switch. The present values and the new values exchange positions with each interrupt. As will be seen in subsection 6.1.4, this eases the programming task considerably. The new values automatically become the present values. This way, each frame can be put into the new values location as it comes up.

The synthesis program also requires RAM for buffering and control flags. These can be stored anywhere in RAM other than the locations mentioned above. In the sample program given here, all the parameters for a single frame are buffered in RAM, along with fractional data for energy, K1, and K2. In addition, one byte of control and status flags and one temporary storage location are used. Table 6-2 shows the addresses and describes the flags.

Table 6-2. Buffer and Control RAM Usage

| | | | |
|----|----------------------------------|----|------------------------------|
| 18 | Pitch Buffer (PBF) | 19 | Energy Buffer (EBF) |
| 1A | K1 Buffer (K1BF) | 1B | K2 Buffer (K2BF) |
| 1C | K3 Buffer (K3BF) | 1D | K4 Buffer (K4BF) |
| 1E | K5 Buffer (K5BF) | 1F | K6 Buffer (K6BF) |
| 20 | K7 Buffer (K7BF) | 21 | K8 Buffer (K8BF) |
| 22 | K9 Buffer (K9BF) | 23 | K10 Buffer (K10BF) |
| 24 | Fractional Energy Buffer (FEBF) | 25 | Fractional K1 Buffer (FK1BF) |
| 26 | Fractional K2 Buffer (FK2BF) | | |
| 27 | Temporary Storage (TEMP) | | |
| 28 | Status and Control Flags (FLAGS) | | |

Flag Descriptions

| Bit | Description |
|-----|--|
| 0 | Stop frame detected (STP) |
| 1 | Interrupt — set by interrupt routine, cleared by decoding routine (INT) |
| 2 | No Interpolation — set if interpolation is not desired for frame (NINTP) |
| 3 | Unvoiced — set if frame is unvoiced (UNVO) |
| 4 | Start — set while program is decoding the first two frames (STRT) |
| 5 | Start 1 — set while the second frame is being decoded (STRT1) |
| 6 | Repeat — set if current frame is a repeat frame (RPT) |
| 7 | Stop 1 — set for second frame of stop sequence (STP1) |

The uses of the buffer and flags will be described in detail in subsection 6.1.4. Note that locations 29 to 7F (hex) are available for user programs while the TSP50C4X devices are synthesizing speech. This is a total of 87 (decimal) bytes for user programming. When the TSP50C4X devices are not synthesizing speech, all 128 bytes, plus the 16 nibbles from 80 to 8F, are available for user programming.

6.1.3 ROM Usage

The sample program uses ROM locations 0 to 344 (hex), leaving the space from 345 to 1FFF or 3FFF (hex) available for user programs, speech, and data. Table 6-3 gives a breakdown of the ROM usage.

Table 6-3. ROM Usage

| | |
|-----------|--|
| 0000-0001 | Power-up short branches |
| 0002-0003 | Interrupt short branches |
| 0004-0005 | Power-up branch |
| 0006-0007 | Interrupt branch |
| 0008-014E | Speech decoding tables |
| 014F-0158 | Processor initialization subroutine ($\overline{\text{INIT}}$) |
| 0159-0161 | RAM clear subroutine (RAM0) |
| 0162-0172 | Initialization of processor, speech address register and parallel-to-serial register |
| 0173-02CB | Speech synthesis subroutine |
| 02CC-0344 | Speech synthesis interrupt routine |

Programs can be moved anywhere in program memory, but the speech decoding tables must remain below address 400 (hex) so that they can be addressed by the ten bits of the A register using the LUAA instruction.

6.1.4 Program Overview

The sample synthesis program is reproduced in its entirety in Appendix B. Parts of it are used in this section for explanatory purposes. An outline of the program flow follows:

- Initialize processor
- Initialize speech address register and parallel-to-serial register
- Decode first frame of speech
- Place first frame in present value RAM locations
- Decode second frame of speech
- Place second frame in new value RAM locations
- Start synthesizer
- Until stop frame reached.
- Decode each frame
- When interrupt occurs, copy frame to new value RAM locations
- Clear all new value locations, except pitch
- Wait two frames, then stop synthesizer
- Return to calling routine.

6.1.5 Calling the Synthesis Program

The following sample program can be used to invoke the synthesis program. The program starts at ROM location 0 on power-up.

```
0220          *-----
0221          * BEGINNING OF PROGRAM
0222          *-----
0223 0000          AORG   #0000
0224 0000 84          SBR   GOGO   ;POWER UP VECTOR
0225 0001 84  SBR   GOGO
0226 0002 86          SBR   INTO   ;INTERRUPT VECTOR
0227 0003 86          SBR   INTO
0228 0004 61  GOGO  BR    GO      ;BRANCH TO SPEECH ROUTINE
0229 0005 5F
0229 0006 62  INTO  BR    INT1   ;BRANCH TO INTERRUPT ROUTINE
0229 0007 C3
```

There are two short branches at the beginning because the condition of the status bit is unknown. Two branches ensure that at least one will be taken. Both branches go to label GOGO, which has a branch to the start of the actual program. The other branches in this code fragment are for the interrupt routine.

Next, the program goes to the initialization section:

```
0417          * START OF SYNTHESIS PROGRAM
0418          *-----
0419 015F 71  GO    CALL   INIT   ;INITIALIZE PROCESSOR
0419 0160 4F
0420 0161 71          CALL   RAM0  ;CLEAR INTERNAL RAM
0420 0162 56
0421 0163 2E          RSECT          ;MAKE TIMER INPUT INTERNAL
```

First the INIT routine is called:

```
0390          * INIT: INITIALIZE PROCESSOR
0391          *+-----+
0392 014F 1D  INIT  INTD          ;DISABLE INTERRUPTS
0393 0150 1B          STOP          ;STOP SYNTHESIZER
0394 0151 00          CLA
0395 0152 50          ACAA   49    ;200 SAMPLES/FR (200/4) - 1
0395 0153 31
0396 0154 5D          TAPSC          ;INTO PRESCALE REGISTER
0397 0155 1F          RETN
```

INIT disables interrupts, stops the synthesizer and sets the frame rate. It is important to disable interrupts because the initialization code is not designed

to be interrupted. The STOP instruction is not used to stop the synthesizer. It is used to initialize the context switching bit. For more information, see subsection 6-7. The prescale register determines the length of the speech frame, which is 200 samples in this case. The formula for the prescale register value is (samples per frame/4) - 1.

The speech synthesis routine then calls the RAM0 subroutine.

```

0400      *      RAM CLEAR
0401      *
0402      *      SUBROUTINE NAME : RAM0
0403      *      USES : A REGISTER, X REGISTER, ALL OF RAM
0404      *      DESCRIPTION : FILLS RAM WITH ZEROES
0405      *
0406      *-----
0407 0156 00 RAM0  CLA          ;CLEAR ACCUMULATOR
0408 0157 11      CLX          ;POINT TO FIRST RAM LOCATION
0409 0158 09 RC1  TAM          ;CLEAR RAM LOCATION
0410 0159 0F      IXC          ;POINT TO NEXT RAM LOCATION
0411 015A 55      XGEC   #90   ;AT END OF RAM?
      015B 90
0412 015C DE      SBR   RC2   ;BRANCH IF SO
0413 015D D8      SBR   RC1
0414 015E 1F RC2  RETN

```

RAM0 clears all memory locations. It should not be utilized in speech synthesis routine because it will clear any nonspeech data also. It should be used at power-up for initialization, since the RAM in the TSP50C4X devices powers up in a random state. For this synthesis program to function properly, the following locations need to be cleared; FPNV, FPPV, FK3NV, FK3PV, FK4NV, FK4PV, FK5NV, FK5PV, FK6NV, FK6PV.

Next, the program initializes the speech data paths and pointers:

```
0421 0163 2E          RSECT          ;MAKE TIMER INPUT INTERNAL
0422                *
0423 0164 00          CLA
0424 0165 50          ACAA  #08      ;HIGH 5 BITS OF SPEECH ADDRESS
      0166 08
0425 0167 0B          TASH          ;INTO HIGH BITS OF SAR
0426 0168 00          CLA          ;LOW BYTE OF ADDRESS = 0
0427 0169 0A          TASL          ;INTO LOW BYTE OF SAR
0428                *
0429 016A 2C          INTRM         ;USE INTERNAL ROM
0430 016B 59          LUSPS         ;INITIALIZE PARALLEL TO SERIAL
      ;REG
0431 016C 71          CALL  SPSTR    ;SPEAK
      016D 70
0432                *
0433 016E 61  LOOP   BR      LOOP    ;LOOP FOREVER
      016F 6E
```

The RSECT instruction tells the processor that the timer clock will be taken from the internal ROM. The CLA, ACAA 8, and TASH instructions initialize the high bits of the speech address register to 8. The CLA and TASL instructions put a 0 in the low byte of the speech address register. This prepares the program to start accessing speech from internal ROM at location 0800 (hex). INTRM instruction sets the data path to internal ROM rather than TSP60CXX external ROM interface and LUSPS initializes the parallel-to-serial register.

Finally, the speech subroutine SPSTR is called. Generally, user programs have a more complicated method of looking up speech start addresses. Often, there are three levels of pointers:

1. Sentence pointers that point to the start addresses.
2. Lists of word numbers that make up a sentence. The word numbers are the pointers.
3. Start addresses of speech data for each word.

Sometimes there are several sentences randomly selected for a given situation. This can lead to a fourth level of pointers that point to sentence groups. All of these levels of pointers are easily accessed using either the GET or LUAA instructions. The structure is dependent on the specific application.

6.1.6 Synthesis Program Walkthrough

There is a short initialization section at the beginning of SPSTR:

```
0434      *
0435      *-----
0436      * SPEECH
0437      *
0438      * SUBROUTINE NAME : SPSTR
0439      * USES : A REGISTER, X REGISTER,
0440              B REGISTER, RAM FROM 0 TO #29
0441      * RAM FROM #80 TO #8F
0442      * 2 STACK LEVELS
0443      * DESCRIPTION : SYNTHESIZES SPEECH
0444      *-----
0445 0170 56          SPSTR  TCX    PBF
0446      0171 18
0447 0172 00          CLA
0448      0173 50          ACAA  #0C
0449      0174 0C
0450 0175 09          TAM              ;SOME PITCH TO START OUT
0451      *              ;WITH, IN CASE WE
0452      *              ;GET A SILENT FRAME
0453 0176 56          TCX    FLAGS  ;
0454      0177 28
0455 0178 00          CLA              ;CLEAR FLAGS
0456 0179 09          TAM              ;
0457 017A 3C          SBITM  STRT    ;FLAG START OF SPEECH
0458 017B 61          BR     SPDE2   ;BRANCH AROUND INTERRUPT
0459      017C 8B              ;CHECK
```

Lines 0445 to 0455 put a default value in the pitch buffer and set the flags to indicate that the first frame is being processed. The pitch buffer must be loaded with a default value because values from 0 to B will cause the synthesizer to lock up and not speak. Usually, the pitch is loaded from the first frame, but if the first frame is silent, there is no pitch value to load. The last instruction in this section is a branch around the section of code that waits for an interrupt to occur. Interrupts are not enabled yet. The code now enters the speech decoding section. The same decoding section is used for all frames, for initialization and for continuous speaking.

```

0473 018B 00 SPDE2  CLA           ;CLEAR A
0474 018C 23         GET  NRGBN    ;GET ENERGY
0475 018D 54         ANEC  ESTOP    ;IS IT THE STOP CODE?
      018E 0F
0476 018F 61         BR    NOSTP    ;BRANCH IF NOT
      0190 99
0477 0191 56         TCX   FLAGS
      0192 28
0478                *
0479 0193 3F         SBITM STP1     ;FLAG STOP1
0480                *
0481 0194 62         BR    CLRPR    ;GO CLEAR PARAMETERS
      0195 5A

```

Lines 0473 to 0482 get the coded energy (GET NRGBN) and check for a stop frame (ANEC ESTOP). If it is a stop frame, a flag is set to branch to clear all parameters except pitch. If it isn't a stop frame, branch is to NOSTP:

```

0486 0199 54 NOSTP ANEC  ESILE  IS IT A SILENT FRAME?
      019A 00
0487 019B 61         BR    NOSIL   ;BRANCH IF NOT
      019C 9F
0488 019D 62         BR    CLRPR   ;IF SO, GO CLEAR PARAMETERS
      019E 5A

```

At NOSTP the code checks for a silent frame and branches either to NOSIL to process a nonsilent frame, or to CLRPR to clear the parameters for a silent frame. At NOSIL the energy is decoded:

```

0489 019F 56   NOSIL  TCX    TEMP
      01A0 27
0490 01A1 09           TAM           ;SAVE ENERGY CODE
0491 01A2 50           ACAA   TABEN   ;START OF ENERGY TABLE
      01A3 08
0492 01A4 58           LUAA           ;DECODE ENERGY
0493 01A5 56   TCX    EBF
      01A6 19
0494 01A7 09           TAM           ;PUT IT AWAY
0495 01A8 56   TCX    TEMP
      01A9 27
0496 01AA 04           TMA           ;GET ENERGY CODE BACK
0497 01AB 50           ACAA   TABEF   ;START OF FRACTIONAL ENERGY
      ;TABLE
      01AC FF
0498 01AD 58           LUAA           ;DECODE ENERGY
0499 01AE 56   TCX    FEBF
      01AF 24
0500 01B0 09           TAM           ;PUT IT AWAY

```

This code fragment illustrates the decoding process for all the parameters. The coded value is saved in temporary storage and retained in the accumulator. The start of the energy decoding table is then added to the coded value, yielding a pointer to the location of the decoded value. The LUAA instruction is then used to transfer the decoded value to the A register and the value is placed in the energy buffer. Then the process is repeated with the fractional decoding table and buffer. If fractional pitch or additional fractional K parameters are desired, the same process is used.

The repeat bit follows the energy parameter:

```

0502           * REPEAT
0503           *
0504 01B1 00           CLA           ;CLEAR A
0505 01B2 20           GET    RPTNB   ;GET REPEAT BIT
0506 01B3 56           TCX    FLAGS
      01B4 28
0507 01B5 4E           RBITM   RPT    ;SET BIT REPEAT
0508 01B6 54           ANEC    REPT   ;IS IT REPEAT?
      01B7 01
0509 01B8 BA           SBR    LABPI  ;GO TO PITCH
0510 01B9 3E           SBITM   RPT    ;IF NOT RESET BIT REPEAT

```

This section gets the repeat bit and sets a repeat (RPT) flag. The program has three more decision points for decoding.

First, it gets the pitch and decodes it and sets a flag to indicate whether pitch is voiced or unvoiced. It also checks the voicing for the previous frame and sets a bit disabling interpolation if the voicing has changed.

Next, it checks the RPT bit set earlier to see if this is a repeat frame. If it is, it branches around the K parameter decoding section. If it is not a repeat frame, it decodes the first of the four K parameters.

Finally, if the frame is unvoiced, it branches to a routine that clears the last six K parameters. If the frame is voiced, it decodes and stores the last six K parameters.

Then there are some decision points that affect initialization:

```
0671 0286 56 SPCEX TCX FLAGS
      0287 28
0672 0288 44          TBITM STRT ;FIRST TWO FRAMES?
0673 0289 8C          SBR SPCE1 ;BRANCH IF SO
0674 028A 61          BR SPDEC ;GO DO IT ALL OVER AGAIN
      028B 7D
0675 028C 45 SPCE1 TBITM STRT1 ;SECOND FRAME?
0676 028D 62          BR SPCE2
      028E B3
0677 028F 3D          SBITM STRT1 ;NEXT ONE IS SECOND FRAME
```

This section of code checks the start flags and goes to SPDEC if the initialization was already done, to SPCE2 if the second frame is done, or falls through if the first frame has just been decoded and buffered.

If the first frame is waiting in the buffer, it is put into the RAM location of the present value. This is the only frame put in these locations. The TSP50C4X devices usually interpolate from the present values to the new values for each frame. On startup, the synthesizer will interpolate from the first frame to the second frame. Then the second frame will be automatically switched to the present value locations and the program will put the third frame into the new values location and so on.

After the first frame is copied into the present values location, the program branches back to the start and the second frame is decoded. The code section above is re-entered and the program goes to SPCE2. From there, the program

enters the interrupt routine at a second entry point and leaves it at a special exit point. Even though this is not good structured programming, it is done to save ROM and stack space. The interrupt routine body does what needs to be done; it copies the buffer to the new values.

After the second frame has been copied to the new values, interrupts are started:

```

0716          *
0717          *NOW START IT UP
0718          *
0719 02B5 56 SPCE3 TCX   FLAGS ;BACK HERE FROM MOVE
      02B6 28
0720 02B7 4C          RBITM STRT ;CLEAR STARTUP FLAGS
0721 02B8 4D          RBITM STRT1
0722 02B9 56          TCX   PBF   ;GET PITCH
      02BA 18
0723 02BB 04          TMA          ;INTO A REGISTER
0724 02BC 56          TCX   TMVAL ;TIME INTO X REGISTER
      02BD 1F
0725 02BE 1A          START
0726 02BF 10          TXTM          ;START THINGS GOING
0727 02C0 1E          INTE          ;ENABLE THOSE INTERRUPTS
0728 02C1 61          BR     SPDE2 ;GO FILL BUFFER AGAIN
      02C2 8B

```

Lines 0716 to 0729 clear the startup flags, load the pitch into the A register, and start the synthesizer. The timer register is then loaded and interrupts enabled. A 1F must always be loaded into the timer register for speech interrupts. It is hard-wired into the synthesizer logic that will be used by this value.

After this, the program branches to SPDE2, which will decode the third frame and then go back to the beginning to wait for indications that an interrupt has occurred. Then it will buffer up another frame and another, and another, and so on, until a stop frame is encountered. Before looking at stop frame handling, it is important to examine the interrupt routine in more detail.

```

0744 02C3 56 INT1 TCX FLAGS
      02C4 28
0745 02C5 39 SBITM INT ;SET INTERRUPT FLAG
0746 02C6 40 TBITM STP ;LAST FRAME?
0747 02C7 63 BR NOINT ;BRANCH IF SO.
      02C8 37
0748 02C9 56 TCX TIVAL ;LOAD TIMER INTERRUPT VALUE
      02CA 1F
0749 02CB 10 TXTM
0750 02CC 56 TCX FLAGS

```

The first section of the interrupt program tests the STP flag to see if this is the last frame of synthesis. If it is, the timer register is not reloaded. This way, there will be no interrupt pending when the speech synthesis program is restarted for the next speech. If speech is ongoing, the timer register is reloaded to start timing for the next interrupt. The INT flag is set to indicate that the interrupt has occurred.

Then voicing is handled:

```

0750 02CC 56 TCX FLAGS
      02CD 28
0751 *
0752 *MOVE NEW VALUES INTO PRESENT VALUES
0753 *
0754 *VOICING
0755 *
0756 02CE 00 T$IR1 CLA
0757 02CF 43 TBITM UNVO ;CHECK VOICING
0758 02D0 62 BR SSSSS ;BRANCH IF NOT VOICED
      02D1 D4
0759 02D2 50 ACAA 1 ;SET VOICING BIT
      02D3 01
0760 02D4 5B SSSSS TAV ;PUT IT AWAY

```

This section tests the voicing bit and does a TAV instruction with the least significant bit of the A Register set or reset accordingly. Next, all the parameters are copied from the buffer to the new values. The code for pitch is sufficient to illustrate this:

```

0764 02D5 56          TCX    PBF      ;GET PITCH BUFFER
      02D6 18
0765 02D7 04          TMA
0766 02D8 56          TCX    PNV      ;TELL CHIP ABOUT IT
      02D9 00
0767                   *
0768 02DA 09          TAM

```

The code to copy parameters from buffer to new value is in a straight line, while the code used for initialization to code buffers to present values is in a loop. This is because the priorities are different. The initialization is done before speech starts; thus ROM space is the overriding criterion. The interrupt routine occurs during speech synthesis; therefore, time is the most important factor.

During synthesis, the synthesizer interpolates from the present values to the new values. When interrupt occurs, interpolation to the new values has already taken place. The context switch toggles and the new values and present values change positions. The synthesizer stops interpolating and uses the parameters that are now in the present value location (the old new values). The speech parameters stay constant until the program loads the values for the next frame into the new values locations and tells the synthesizer to start interpolation again. For this reason, it is important to load the new values as fast as possible. Any slowdown would have an adverse effect on the quality of speech.

Interpolation is enabled by the INTE instruction. The program uses the NINTP flag to decide whether interpolation is required or not. The program fragment is shown below:

```

0833           *INTERPOLATION
0834           *
0835 032F 56          TCX    FLAGS
      0330 28
0836 0331 44          TBITM  STRT    ;START?
0837 0332 62          BR      SPCE3  ;BRANCH IF SO
      0333 B5
0838 0334 42          TBITM  NINTP  ;INTERPOLATE?
0839 0335 B7          SBR      NOINT  ;BRANCH IF NOT
0840 0336 1E          INTE
0841 0337 2F          NOINT  RETI

```

The first test above is for the STRT flag. This provides for the nonstructured exit from the interrupt routine for initialization.

The only section requiring more explanation is the stop code handling. When the stop code is detected, all the parameters in the buffer are cleared except for the pitch, which is left the same. The STP1 flag is also set. On the next interrupt, the program will put zeroes into the new values locations. The synthesizer will then interpolate down to all zero values for the next frame. The STP flag will be set so that the final interrupt will not reload the interrupt timer causing interrupts to cease. The synthesis program will go to its exit point:

```
0843          *HERE FOR A STOP CODE
0844          *
0845 0338 1D  STPIT  INTD
0846 0339 1B          STOP
0847 033A 1F          RETN
```

It will disable interrupts, stop the synthesizer, and return control to the calling routine.

6.2 Arithmetic Modes

The instructions transferring data to A register, AMAAC and SMAAN, are the only instructions affected by the ALU mode. The ALU mode can be set using the INTGR and EXTSG instructions.

Instructions transferring data to the A register clear bits eight and nine of the A register in the INTGR mode. In the EXTSG mode, bits eight and nine are set to the value of bit seven.

AMAAC and SMAAN set the Status Flag to the value of the carry from bit 7 of the ALU. The ALU accepts two 10-bit input values and returns a 10-bit output value. One 10-bit value comes from the A register, and the low eight bits of the other value come from the RAM location pointed to by the X register. The ALU mode affects what goes into the two high bits of that value. If the INTGR instruction has been executed last, the two bits are always filled by zeroes. The EXTSG instruction causes the high bit from the RAM to be put into the two high bits. This means that the only difference between the two modes occurs when the RAM most significant bit is a 1.

The INTGR mode is intended to be used for unsigned numbers, while the EXTSG mode allows two's complement numbers to be used. The example in Figure 6-5 illustrates the difference. Note that in integer mode, the FF (hex) acts as a positive number and FF is added to the value in the A register. In

extended sign mode, the FF is treated as a two's complement number, giving it an effective value of -1 . The example is for the AMAAC instruction, but the same rules hold true for SMAAN.

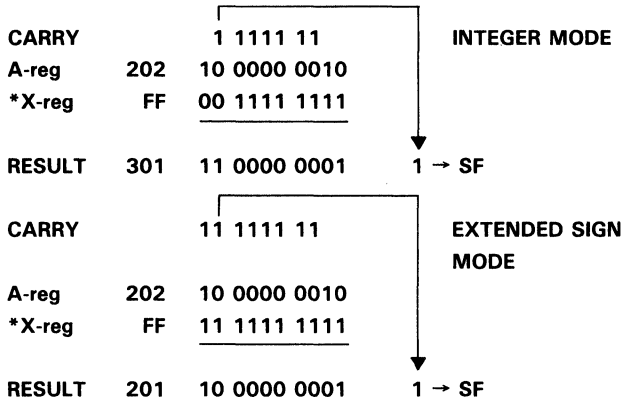


Figure 6-3. ALU Modes

6.3 Standby Mode

Several design details must be taken care of to achieve minimum power consumption in the standby mode, whether it is reached with the SETOFF instruction or by pulling the INIT line low.

1. Any of the pull-up resistors, internal or external, will continue to draw power when the TSP50C4X devices are in standby mode. The design must make sure that there is no path to ground when the chips are powered down.
2. Port C should be tied to either a low or a high level. If its inputs go to an intermediate state, internal gates could be energized, causing additional power consumption.
3. Attention must be paid to the levels to which signals go when the TSP50C4X devices are in the standby mode.
 - Port A — high impedance
 - Port B — output mode, low-level
 - Port C — high impedance
 - Port D — outputs, all low-level
 - \overline{IRT} — When masked as output — low, otherwise high-impedance.

6.4 Slave Option

The slave option is a specialized mask-selectable mode of the TSP50C4X devices that is used for applications in which the TSP50C4X devices need to be controlled by a master microprocessor. Port A changes to a latched port that can be used as an I/O or memory address by the master processor. Several lines from Port C become control and handshake lines for this port. The slave option is designed for use with 4- and 8-bit data widths.

The lines involved in the slave option are:

PA0 to PA7 — I/O port

$\overline{\text{ENA1}}$ — chip enable input for reading and writing to the high four bits of PA

$\overline{\text{ENA2}}$ — chip enable input for reading and writing to the low four bits of PA

$\text{R}/\overline{\text{W}}$ — input that controls direction of data flow for PA

$\overline{\text{RDY}}$ — output that indicates whether PA is ready to be written to.

$\overline{\text{IRT}}$ — output that indicates that there is data on PA to be read.

Here is a typical sequence for an 8-bit read operation (see Figure 6-4):

At the beginning of the operation, the master is holding $\overline{\text{ENA1}}$ and $\overline{\text{ENA2}}$ high, which causes Port A to remain in a high-impedance state. The TSP50C4X device is holding $\overline{\text{IRT}}$ high. The other lines do not matter yet.

1. The TSP50C4X device puts data in the Port A latch with a TAPA instruction. This automatically causes the $\overline{\text{IRT}}$ line to go low.
2. The master either polls or is interrupted by the $\overline{\text{IRT}}$ line.
3. The master raises the $\text{R}/\overline{\text{W}}$ line.
4. The master lowers $\overline{\text{ENA1}}$ and $\overline{\text{ENA2}}$. This causes step 5 to occur.
5. The contents of the Port A latch appear on the outputs of the port and are read in by the master. The $\overline{\text{IRT}}$ line goes high.
6. The master raises $\overline{\text{ENA1}}$ and $\overline{\text{ENA2}}$. This causes Port A to return to a high-impedance state. To ensure that $\overline{\text{IRT}}$ will stay high, this event must occur at least 20 clock cycles after the falling edge of $\overline{\text{IRT}}$.
7. The TSP50C4X device polls the status of $\overline{\text{IRT}}$ with the TPCA instruction. When $\overline{\text{IRT}}$ goes high, it gets another byte of data and puts it into the Port A latch, starting the cycle over again.

Note that $\overline{\text{IRT}}$ goes high after the falling edge of $\overline{\text{ENA1}}$. This means that if the TSP50C4X device polls $\overline{\text{IRT}}$ while the master is still reading, it will see

a high and may overwrite the Port A latch, which could lose the existing data. If this is a possibility, ensure that there is enough delay between polling $\overline{\text{IRT}}$ and writing to the latch to prevent this from occurring.

For a 4-bit master, follow the same sequence, reading the low nibble first, followed by the high nibble. $\overline{\text{ENA2}}$, which controls the low nibble, has no effect on $\overline{\text{IRT}}$, so it will not be set until the high nibble is read with $\overline{\text{ENA2}}$.

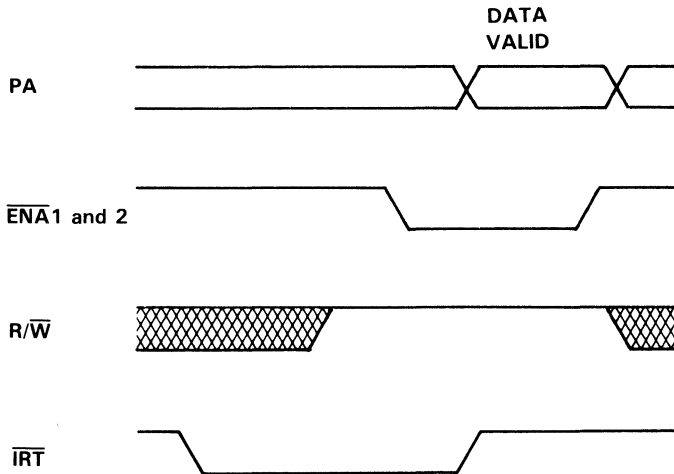


Figure 6-4. Read Operation

A write operation is similar except that $\overline{\text{RDY}}$ is used and $\overline{\text{R/W}}$ is in the opposite state. Here is the sequence for a write (see Figure 6-5):

At the beginning of the operation, the master holds $\overline{\text{ENA1}}$ and $\overline{\text{ENA2}}$ high, which causes Port A to remain in a high-impedance state. The TSP50C4X device holds $\overline{\text{RDY}}$ high. The other lines do not matter yet.

1. The TSP50C4X device completes processing any previous data it has and then executes a $\overline{\text{RSRDY}}$ instruction, which causes the $\overline{\text{RDY}}$ line to go low.
2. The master either polls or is interrupted by the $\overline{\text{RDY}}$ line.
3. The master lowers the $\overline{\text{R/W}}$ line.
4. The master lowers $\overline{\text{ENA1}}$ and $\overline{\text{ENA2}}$. This causes step 5 to occur.
5. The data on the inputs of Port A are placed into the Port A latch. The $\overline{\text{RDY}}$ line goes high.

6. The master raises $\overline{\text{ENA1}}$ and $\overline{\text{ENA2}}$. This causes the data on Port A to be latched into the Port A latch. To ensure that $\overline{\text{RDY}}$ will stay high, this event must occur at least 20 clock cycles after the falling edge of $\overline{\text{RDY}}$.
7. The TSP50C4X device polls the status of $\overline{\text{RDY}}$ with the TPCA instruction. When $\overline{\text{RDY}}$ goes high, it gets the byte of data from the Port A latch and then issues an RSRDY instruction, starting the cycle over again.

Note that $\overline{\text{RDY}}$ goes high after the falling edge of $\overline{\text{ENA2}}$. This means that if the TSP50C4X device polls $\overline{\text{RDY}}$ while the master is still writing, it will see a high and may read from the Port A latch. This could lead to false data. If this is a possibility, ensure that there is enough delay between polling $\overline{\text{RDY}}$ and reading from the latch to prevent this from occurring.

For a 4-bit master, follow the same sequence, writing the high nibble first, followed by the low nibble. $\overline{\text{ENA1}}$, which controls the high nibble, has no effect on $\overline{\text{RDY}}$, so it will not be set until the low nibble is read with $\overline{\text{ENA2}}$.

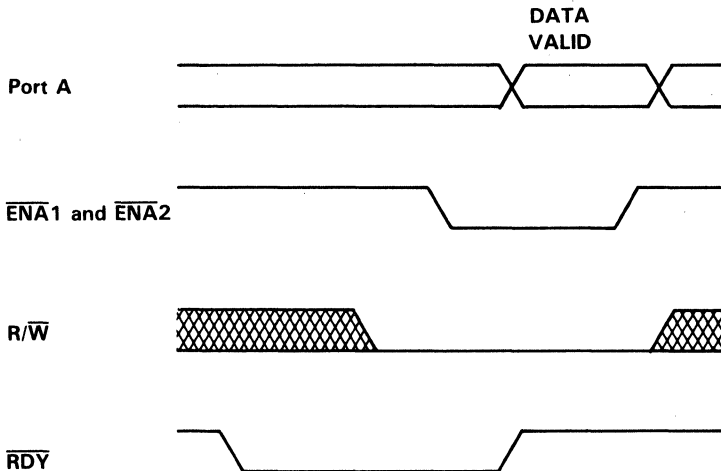


Figure 6-5. Write Operation

6.5 TSP60CXX Interface

If additional space for speech or other data is desired, the TSP50C4X can easily be interfaced to the TSP60C19, the TSP60C20, and the TSP60C80. Port B has a special mode activated by the EXTRM instruction that enables the GET instruction to be used with external memory just as it is with internal data. However, the initialization is completely different, and that is what is

covered in this section. There are special precautions that must be taken when using internal (TSP50C4X) data after using the external (TSP60CXX) data. It is also possible to put the TSP60CXX devices into a low-power mode from the TSP50C4X devices.

The TSP60CXX devices supports an eight-line interface. There are two mode pins, M0 and M1. The data address is entered 4 bits at a time on pins ADD1, ADD2, ADD4, and ADD8. The data emerge serially on SRDTD (SeRIal DaTa Delayed), which should be connected to the RDIN pin of the TSP50C4X devices, clocked by ROMCLK. See below.

6.5.1 Initialization

The TSP50C4X to TSP60CXX interface program needs to initialize the interface sections of both devices and to load the proper address into the TSP60CXX address register. After that, the actual data transfer is completely

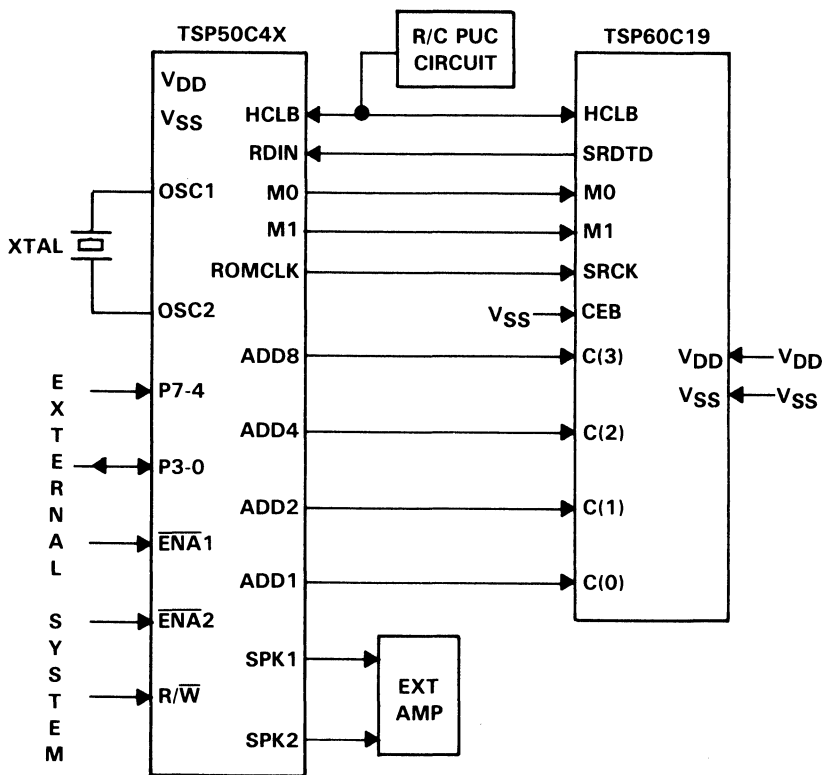


Figure 6-6. TSP50C4X and TSP60C19 Interface

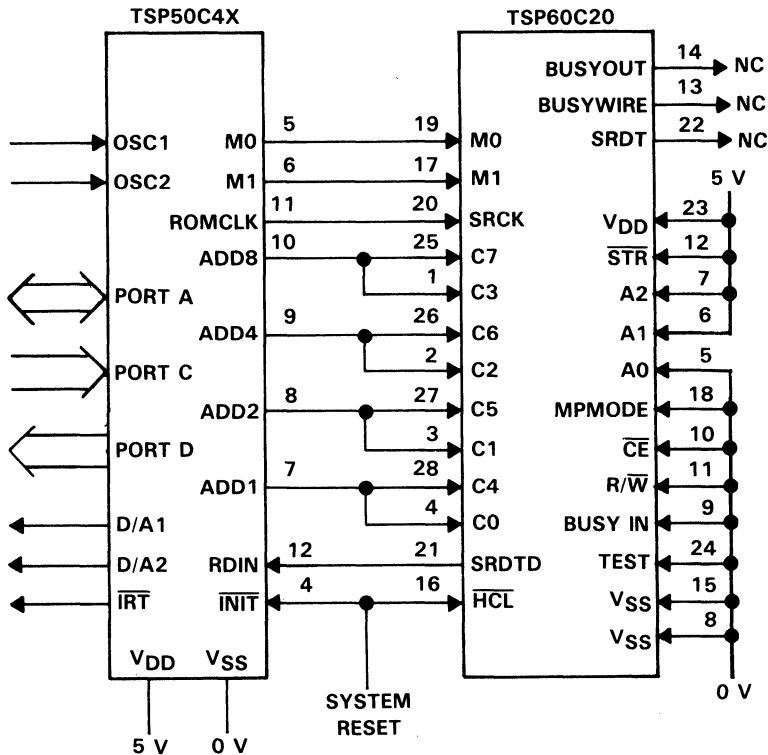


Figure 6-7. TSP50C4X/TSP60C20 Interface with TSP50C4X in the External ROM Mode

automatic and the standard speech synthesis routine can be used. The only restriction that applies is that each GET instruction must be at least eight instruction cycles after the previous GET because of the speed of the interface.

The address counter on the TSP60CXX devices has 16 bits and addresses the data on 16-bit boundaries. Therefore, it can address 65536 16-bit words. Each TSP60C19 or TSP60C20 contains only 16384 words, which can be addressed with 14 bits. The highest two bits are mask programmable as chip select bits so that up to four TSP60C19s or TSP60C20s can be used on the same eight-line interface. The TSP60C80 has four times as much data as the other TSP60CXX chips, so only one can be used with eight lines. For more information, see the TSP60CXX Data Manual.

Even though the TSP60CXX devices address data on 16-bit boundaries, speech data is customarily packed on 8-bit boundaries in order to get more data compression. To access data starting in the middle of the 16-bit TSP60CXX word, simply address the word and then do a GET 8 to get to the second byte. This approach is used in the program shown here.

The software accepts a 16-bit address of data divided up into 8-bit bytes. The high 15 bits of the address are used to address the TSP60CXX device, while the least significant bit is used to determine the need for a GET 8 as described above. Since only 15 bits are used for TSP60CXX address, the program as it is written can only be used to access two TSP60C19s. It can, however, be easily modified to incorporate the additional bit needed to access all four TSP60C19s or an entire TSP60C80.

The initialization sequence is as follows:

1. Pulse M1 high.
2. Pulse M0 high — this sequence resets the TSP60CXX.
3. Load the address.
4. Delay 16 instruction cycles so the TSP60CXX can fetch the data.
5. Read 16 bits from the TSP60Cxx to bring the new data to the output.
6. Read an additional eight bits if necessary.

The program to accomplish this is Appendix C.

6.5.2 Using Internal and External Data Alternately

Port B can be used in the TSP60CXX mode (EXTRM) or in the internal data mode (INTRM). In the TSP60CXX mode, PB7 becomes an input and the TSP60CXX device is activated to transmit data to it. When internal speech is needed, the INTRM instruction must be executed to direct the GET instruction to fetch data from internal ROM. This instruction also makes Port B into standard output port, making PB7 an output. If the TSP60CXX device is not deselected before the INTRM instruction is executed, there will be a possible conflict on PB7 that could damage either device and that will cause a large rise in power consumption.

To prevent this, deselect the TSP60CXX before using internal data. There are two ways to do this. There are several pins on the TSP60CXX that can be used to deselect the device or to put it into a low-power mode. Refer to the TSP60CXX data manual for more information. The other option involves using fewer than four TSP60C19s. If this is done, simply put out the address of the TSP60C19 that is missing. This will cause the other TSP60C19s to make their output pins high-impedance. If a TSP60C80 is being used, it will be necessary to use its chip select line to disable it before executing the INTRM instruction.

6.5.3 TSP60CXX Power Down

A simple sequence can also be used to put the TSP60C19 into a guaranteed low-power state. It is used when powering off the TSP50C4X devices with the SETOFF instruction to ensure that the TSP60C19 will not consume power. Method one involves simply keeping the TSP50C4X device running for 32 instruction cycles after the last GET instruction. Pulsing M1 high and then low will also put the TSP60C19 into a guaranteed power-down state.

6.6 Use of the TMEDA Instruction

The TMEDA instruction permits direct access to the TSP50C4X DAC. The synthesizer must be started in the usual way with the START instruction following the TMEDA instruction. The first value that is put out 11 cycles after the START instruction is executed is always 0. After that, RAM location 0 is put out on the DAC every 12 instruction cycles. For best results, the program that uses TMEDA should put out a value at 12 instruction cycle intervals. The STOP, INTE, and START instructions need to be executed to get the synthesizer into the proper configuration for the TMEDA to work. The program below will generate a 500-Hz sine wave if the clock frequency of the TSP50C4X device is 3.84 MHz.

```
*
*19 STEP SINE WAVE (ONE STEP HANDLED BY ROUTINE)
*(This section must go in the lower 1K of ROM)
```

```
*
SINE      BYTE      39
           BYTE      75
           BYTE      103
           BYTE      122
           BYTE      127
           BYTE      122
           BYTE      103
           BYTE      75
           BYTE      39
           BYTE      0
           BYTE      #D9
           BYTE      #B5
           BYTE      #99
           BYTE      #86
           BYTE      #81
           BYTE      #86
           BYTE      #99
           BYTE      #B5
SIEND     BYTE      #D9
```

```
*
*Start of program
```


*This section can go anywhere in the program portion of
 *the ROM

```

*
BEGIN      STOP
           INTE          INITIALIZE SYNTHESIZER
           TMEDA
           START        START SYNTHESIZER IN TMEDA MODE
           SBR          TONE1
*
TONE       TBA          TRANSFER TABLE POINTER TO A
           ANEC         SIEND+1 AT END OF TABLE?
           SBR          TONE2  BRANCH IF NOT
*
TONE1      TCX          SINE    BACK TO START OF TABLE
           XBX          POINTER IN B
           CLX          point at energy location
           CLX          DELAY
           CLA          AT END, PUT 0 OUT
           TAM
           SBR          TONE    GO DO IT AGAIN
*
TONE2      LUAA         GET TABLE VALUE INTO A
           TAM          AND INTO MEMORY
           TAM          DELAY
           IBC          INCREMENT TABLE POINTER
           LUAA         DELAY
           SBR          TONE
  
```

6.7 Use of the Timer, Prescaler, Interrupt, and IRT Pin

The timer, prescaler, interrupt, and $\overline{\text{IRT}}$ pin all work together. The only interrupt in the TSP50C4X device is caused by timer underflow. The timer is decremented when the prescaler underflows, and the prescaler is decremented either by an internal clock equal to 1/48 the clock frequency or by an external clock on the $\overline{\text{IRT}}$ pin. The $\overline{\text{IRT}}$ pin can also be used as an output (see subsection 6.3, slave option).

The clock source is selected by the TTMA and RSECT instructions. TTMA selects the $\overline{\text{IRT}}$ pin as the clock source, while RSECT selects the internal source.

The prescale value is set by the TAPSC instruction. The prescale register is decremented once for each clock cycle and then automatically reloaded on an underflow with the value from the last TAPSC. When the prescale register underflows, the timer register is decremented. Since the prescale register is

reloaded on underflow, a 0 value in the prescale requires one clock input for each clock output, a one requires two clocks and so on, up to hex FF, which requires 256 clocks.

The timer register is loaded with the TXTM instruction and must be reloaded with TXTM each time a countdown is desired. The timer is decremented by the clock from the prescale register until it underflows, and then it stops and sets an interrupt bit. If interrupts are enabled, the TSP50C4X device immediately vectors to the interrupt routine, starting at ROM address 6. If interrupts are not currently enabled, the bit will remain set until interrupts are enabled or until the TSP50C4X device is reinitialized with the $\overline{\text{INIT}}$ pin.

Interrupt routines should be written with the TXTM very close to the start of the routine to preserve time-keeping accuracy. If the interrupt routine is to be stopped, ensure that the last interrupt executed does not reload the timer with a TXTM; otherwise, there will be an interrupt pending when interrupts are re-enabled. This is especially important during speech synthesis.

When the interrupt occurs, the A register, the X register, and the status flag are all saved in special interrupt storage areas. The B register is not saved. The contents of the program counter is pushed onto the stack in the same manner as a subroutine call. Interrupts are disabled while the interrupt routine is running. When the RETI instruction is executed, the registers and status flags are restored to the values they had before the interrupt and the old program address is popped from the stack. Interrupts are re-enabled.

Warning: The RAM context switch is not enabled when the synthesizer is not on. However, the context bit still toggles every time an interrupt occurs. A stop instruction must be executed to put the context bit in the proper state before starting synthesis.

6.8 Use of the Stack

The TSP50C4X devices have a five-level push-down stack. The parallel-to-serial register is pushed on the stack by the CALL instruction and by an interrupt. The program counter can be loaded from the top of the stack by the RETI and RETN instructions. The POP instruction can be used to discard the value on the top of the stack. The GET, LUSPS, and LUAA instructions use one level of stack in their execution but push the value back when they are done.

Values can be pushed indefinitely onto the stack. If more than five values are pushed, the oldest value is lost. No more than five values can be popped from the stack. If an attempt is made to return from more than five levels down, the RETN instruction will not pop a value from the stack and program execution will continue at the next instruction. If this occurs during debugging, it is a useful indication that stack overflow has occurred.

7 Customer Information

7.1 Production Flow

The TSP50C4X devices are programmable and have five basic mask options. The semicustom nature of these devices requires a standard defined interface between the customer and Texas Instruments Incorporated. Figure 7-1 shows the standard prototype/production flow for customer TSP50C4X programs initiated through the TI Regional Technology Center (RTC). A list of RTCs is given on the back page.

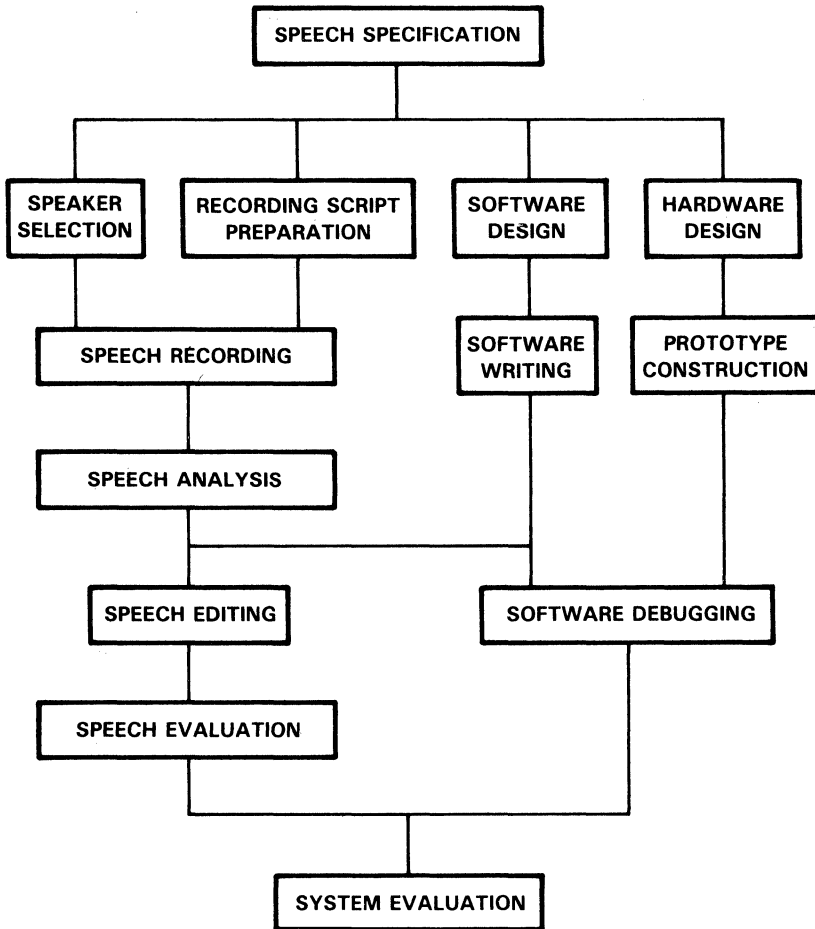


Figure 7-1. Speech Development Cycle

7.2 Summary of Speech Development/Production Sequence

The following is a summary of the speech development/production sequence:

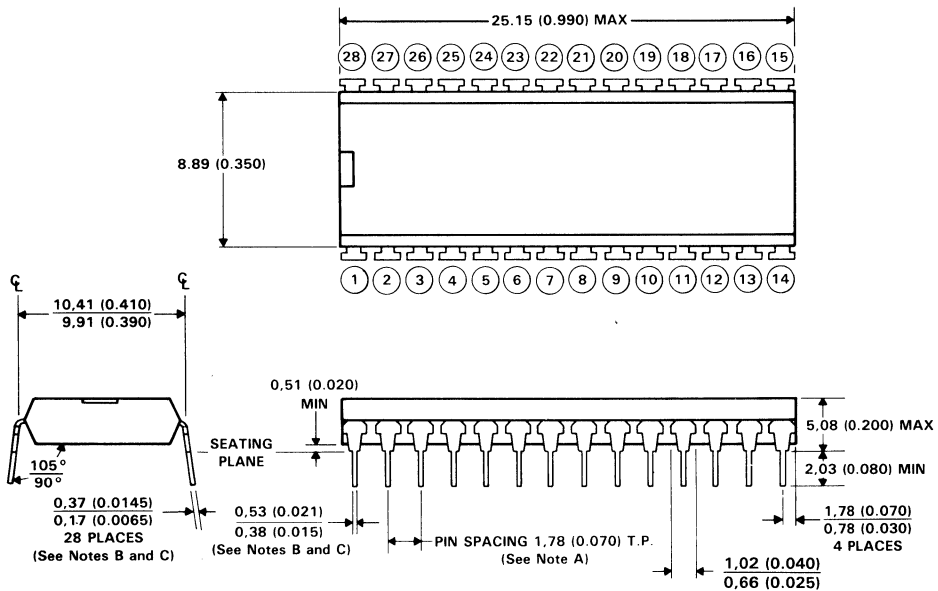
1. For TI to accept a custom device program, the customer must submit a New Product Release Form (NPRF) to TI. This form describes the custom features of the device (e.g., customer information, prototype and production qualities, symbolization, etc.). The NPRF will be completed by Product Engineering and Product Marketing personnel within TI. A copy of the NPRF* can be found on pages 7-8 thru 7-11.
2. TI generates the prototype photomask, processes, manufactures, and tests 50 prototype devices for shipment to the customer. Limited quantities in addition to the 50 prototypes may be purchased for use in customer evaluation. All prototype devices are shipped against the following disclaimer: "It is understood that, for expediency purposes, the initial 50 prototype devices (and any additional prototype devices purchased) were assembled on a prototype (i.e., non-production qualified) manufacturing line whose reliability has not been characterized. Therefore, the anticipated inherent reliability of these devices cannot be expressly defined."
3. The customer verifies the operation and quality of these prototypes and responds with either written customer prototype approval or disapproval.
4. A nonrecurring mask charge that includes the 50 prototype devices is incurred by the customer
5. A minimum purchase might be required during the first year of production.

NOTE: Texas Instruments recommends that prototype devices not be used in production systems since their expected end-use failure rate is undefined but is predicted to be greater than standard qualified production.

*New Product Release Form.

7.3 Mechanical Data

This dual-in-line package consists of a circuit mounted on a 28-pin lead frame and encapsulated within a plastic compound. The compound will withstand soldering temperature with no deformation, and circuit performance characteristics will remain stable when operated in high-humidity conditions. The package is intended for insertion in mounting-hole rows on 10,16 (0.400) centers. Pin spacing within the rows is 1,78 (0.070). Once the leads are compressed and inserted, sufficient tension is provided to secure the package in the board during soldering. Solder-plated leads require no additional cleaning or processing when used in soldered assembly.

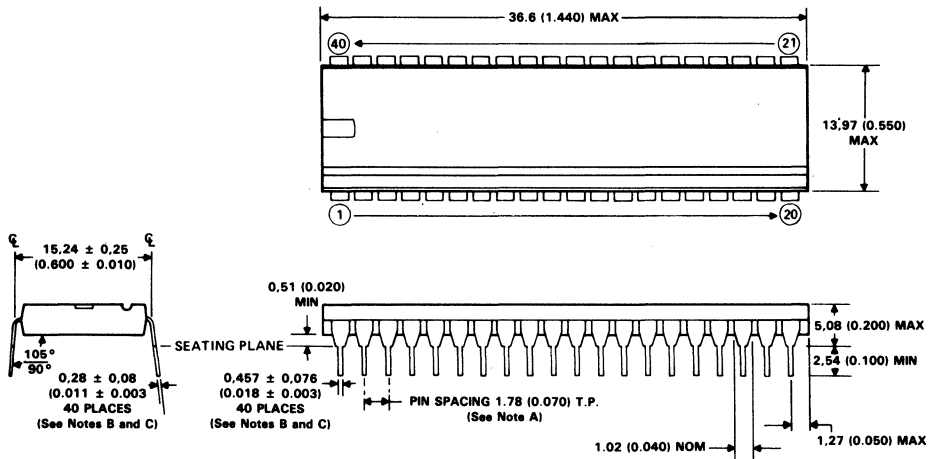


ALL LINEAR DIMENSIONS ARE IN MILLIMETERS AND PARENTHETICALLY IN INCHES

- NOTES: A. Each pin centerline is located within 0,25 (0.010) of its true longitudinal position.
 B. This dimension does not apply for solder-dipped leads.
 C. When solder-dipped leads are specified, dipped area of the lead extends from the lead tip to at least 0,51 (0.020) above seating plane.

**Figure 7-2. TSP50C41 and TSP50C43 28-Pin NF[†] Plastic Package
 0.070" Pin Center Spacing, 0.400" Pin Row Spacing**

[†]The NF package has also been designated N2.



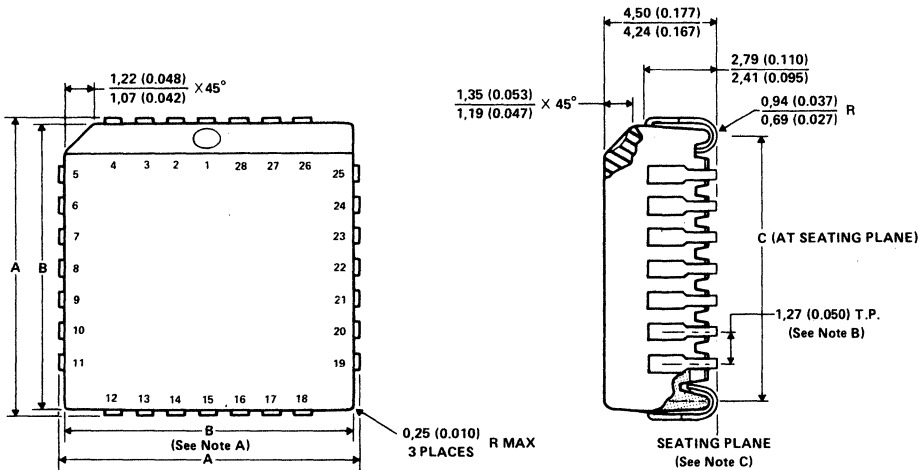
ALL LINEAR DIMENSIONS ARE IN MILLIMETERS AND PARENTHETICALLY IN INCHES

- NOTES: A. Each pin centerline is located within $0,25 (0.010)$ of its true longitudinal position.
 B. This dimension does not apply for solder-dipped leads.
 C. When solder-dipped leads are specified, dipped area of the lead extends from the lead tip to at least $0,51 (0.020)$ above seating plane.

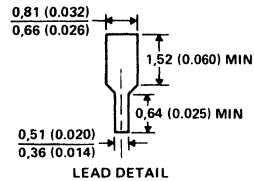
**Figure 7-3. TSP50C42 and TSP50C44 40-Pin NJ Plastic Package
 0.070" Pin Center Spacing, 0.600" Pin Row Spacing**

7.3.1 TSP50C43 FN plastic chip carrier package

Each of these chip carrier packages consists of a circuit mounted on a lead frame and encapsulated within an electrically nonconductive plastic compound. The compound withstands soldering temperatures with no deformation, and circuit performance characteristics remain stable when the devices are operated in high-humidity conditions. The packages are intended for surface mounting on solder lands on 1,27 (0.050) centers. Leads require no additional cleaning or processing when used in soldered assembly.



| A | | B | | C | |
|------------------|------------------|------------------|------------------|------------------|------------------|
| MIN | MAX | MIN | MAX | MIN | MAX |
| 12,32 (0.485) | 12,57 (0.495) | 11,43 (0.450) | 11,58 (0.456) | 10,41 (0.410) | 10,92 (0.430) |



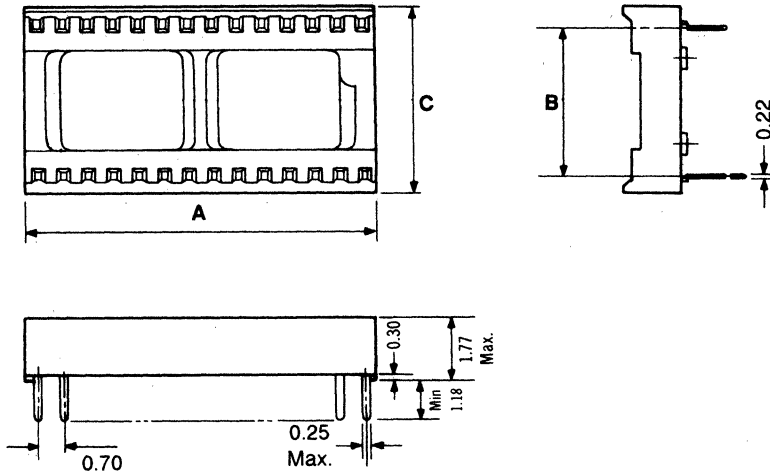
ALL LINEAR DIMENSIONS ARE IN MILLIMETERS AND PARENTHECALLY IN INCHES

- NOTES: A. Centerline of center lead on each side is within 0,10 (0.04) of package centerline as determined by dimension B.
 B. Location of each lead within 0,127 (0.005) of true position with respect to center lead on each side.
 C. The lead contact points are planar within 0,10 (0.004).

Figure 7-4. FN Plastic Chip Carrier

7.4 IC Sockets

Texas Instruments lines of off-the-shelf interconnection products are designed specifically to meet the performance needs of volume commercial applications. They provide both the economy of a standard product line and performance features developed after many years experience with custom designs.



| POSITIONS | A MAX LENGTH | B ± .005 ROW TO ROW | C MAX WIDTH | PART NUMBER |
|-----------|--------------------|---------------------------|-------------------|-------------|
| 28 | .985 (25,02) | .400 (10,16) | .512 (13,00) | C4S28-02 |
| 40 | 1.405 (35,69) | .600 (15,24) | .708 (17,98) | C4S40-02 |

Dimensions in parentheses are metric.

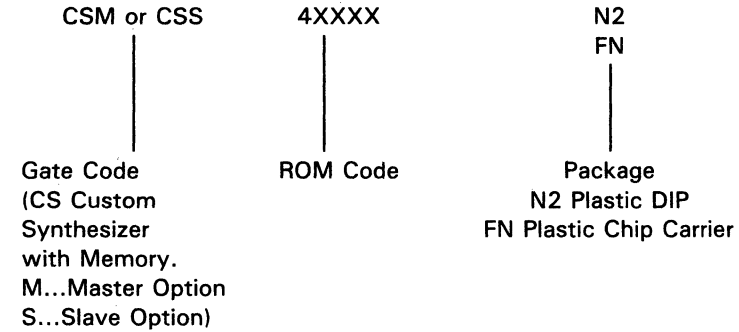
Figure 7-5. Shrink Package C4S Series 28 and 40 Positions

Additional information including pricing and delivery quotations may be obtained from your nearest TI Distributor, TI Representative, or:

Texas Instruments Incorporated
 Connector Systems Department
 MS 14-3
 Attleboro, Massachusetts 02703
 Telephone: (617) 699-3800
 TELEX: ABORA927708

7.5 Ordering Information

Since the TSP50C4X are custom devices, they receive a distinct identification as follows:



7.6 New Product Release Form (TSP50C41)

This document describes completely the functional details of the TSP50C41 device number CSM41XXX being released to prototype tooling. The EPROM returned is programmed from the data stored at TI for making prototypes. Please review both and contact TI immediately if there are any questions. Sign and return one copy of this document when approved.

Return to: Texas Instruments Incorporated Company : _____
P.O. Box 655303 MS 8211 Division : _____
Dallas, TX 75265 Address : _____
Telephone No. : _____
Approved By : _____
Title : _____
Date : _____

Options

Master []

or

Slave []

| |
|--|
| Master Option Requirements Normal [X] $\overline{\text{IRT}}$ in [X] |
|--|

| |
|--|
| Slave Option Selections Only Normal [] or Keyscan [] $\overline{\text{IRT}}$ in [] or $\overline{\text{IRT}}$ out [] |
|--|

4K Program Space []

or

8K Program Space []

Setoff enabled []

or

Setoff disabled []

Pull-Up Resistors

PA0[] PA1[] PA2[] PA3[] PA4[] PA5[] PA6[] PA7[]

PC0[] PC1[] PC2[] PC3[]

IRT[] INIT[]

Note: $\overline{\text{IRT}}$ out option requires $\overline{\text{IRT}}$ pull-up resistor.

Open-Drain Outputs: PBO thru PB3[] PB4[] thru PB7[]

Package Type: N2[]

Leads on 0.070" Centers, 0.400" wide

7.7 New Product Release Form (TSP50C42)

This document describes completely the functional details of the TSP50C42 device number CSM42XXX being released to prototype tooling. The EPROM returned is programmed from the data stored at TI for making prototypes. Please review both and contact TI immediately if there are any questions. Sign and return one copy of this document when approved.

Return to: Texas Instruments Incorporated Company : _____
 P.O. Box 655303 MS 8211 Division : _____
 Dallas, TX 75265 Address : _____
 Telephone No. : _____
 Approved By : _____
 Title : _____
 Date : _____

Options

Master []

or

Slave []

| |
|--|
| <p>Master Option Requirements</p> <p>Normal [X]</p> <p>$\overline{\text{IRT}}$ in [X]</p> |
|--|

| |
|---|
| <p>Slave Option Selections Only</p> <p>Normal [] or Keyscan []</p> <p>$\overline{\text{IRT}}$ in [] or $\overline{\text{IRT}}$ out []</p> |
|---|

4K Program Space []

or

8K Program Space []

Setoff enabled []

or

Setoff disabled []

Pull-Up Resistors

PA0[] PA1[] PA2[] PA3[] PA4[] PA5[] PA6[] PA7[]

PC0[] PC1[] PC2[] PC3[] PC4[] PC5[] PC6[] PC7[]

IRT[] INIT[]

Note: $\overline{\text{IRT}}$ out option requires $\overline{\text{IRT}}$ pull-up resistor.

Open-Drain Outputs: PB0 thru PB3[] PB4[] thru PB7[]

PD0 thru PD3[] PD3[] thru PD7[]

Package Type: N2[]

Leads on 0.070" Centers, 0.600" wide

7.8 New Product Release Form (TSP50C43)

This document describes completely the functional details of the TSP50C43 device number CSM43XXX being released to prototype tooling. The EPROM returned is programmed from the data stored at TI for making prototypes. Please review both and contact TI immediately if there are any questions. Sign and return one copy of this document when approved.

Return to: Texas Instruments Incorporated Company : _____
P.O. Box 655303 MS 8211 Division : _____
Dallas, TX 75265 Address : _____
Telephone No. : _____
Approved By : _____
Title : _____
Date : _____

Options

| | | |
|--|----|--|
| Master [] | or | Slave [] |
| <p style="text-align: center;">Master Option Requirements</p> Normal [X] $\overline{\text{IRT}}$ in [X] | | <p style="text-align: center;">Slave Option Selections Only</p> Normal [] or Keyscan [] $\overline{\text{IRT}}$ in [] or $\overline{\text{IRT}}$ out [] |
| 4K Program Space [] | or | 8K Program Space [] |
| Setoff enabled [] | or | Setoff disabled [] |

Pull-Up Resistors

PA0[] PA1[] PA2[] PA3[] PA4[] PA5[] PA6[] PA7[]
PC0[] PC1[] PC2[] PC3[]
IRT[] INIT[]

Note: $\overline{\text{IRT}}$ out option requires $\overline{\text{IRT}}$ pull-up resistor.

Open-Drain Outputs: PBO thru PB3[] PB4[] thru PB7[]

Package Type: FN[] or N2[]

Leads on 0.050" Centers, 0.450" wide PLCC Leads on 0.070" Centers, 0.400" wide DIP

7.9 New Product Release Form (TSP50C44)

This document describes completely the functional details of the TSP50C44 device number CSM44XXX being released to prototype tooling. The EPROM returned is programmed from the data stored at TI for making prototypes. Please review both and contact TI immediately if there are any questions. Sign and return one copy of this document when approved.

Return to: Texas Instruments Incorporated Company: _____
 P.O. Box 655303 MS 8211 Division: _____
 Dallas, TX 75265 Address: _____
 Telephone No.: _____
 Approved By: _____
 Title: _____
 Date: _____

Options

Master []

or

Slave []

| Master Option Requirements |
|--------------------------------|
| Normal [X] |
| $\overline{\text{IRT}}$ in [X] |

| Slave Option Selections Only |
|---|
| Normal [] or Keyscan [] |
| $\overline{\text{IRT}}$ in [] or $\overline{\text{IRT}}$ out [] |

4K Program Space []

or

8K Program Space []

Setoff enabled []

or

Setoff disabled []

Pull-Up Resistors

PA0[] PA1[] PA2[] PA3[] PA4[] PA5[] PA6[] PA7[]

PC0[] PC1[] PC2[] PC3[] PC4[] PC5[] PC6[] PC7[]

IRT[] INIT[]

Note: $\overline{\text{IRT}}$ out option requires $\overline{\text{IRT}}$ pull-up resistor.

Open-Drain Outputs: PB0 thru PB3[] PB4[] thru PB7[]

PD0 thru PD3[] PD4 thru PD7[]

Package Type: N2[]

Leads on 0.070" Centers, 0.600" wide

A Script Preparation and Speech Development Tools

Script preparation and speech development can be done either by the customer or TI. The following are major considerations during the process.

A.1 Recording Script Generation

The first step in designing a system using LPC is the generation of a system specification, including a script. A coding table needs to be selected that yields the best data rate for the voice selected at the level of quality required. The voice that is selected needs to be tested to verify that it synthesizes well. TI can recommend voices or new voices can be auditioned. Each coding table and voice have their characteristic data rate. This can be used with a word count to determine the amount of memory required to store the speech for the system. Data rates for the TSP50C4X range from 1000 to 3000 bits per second and words average 0.6 second each. These are very rough rules of thumb and each application is different.

There are three approaches to word use in a speech script; maximal reuse, partial concatenation, and no concatenation. The original synthetic products tended to use maximal reuse because memory was expensive and quality expectations were low. In maximal reuse systems, only one sample of each word is used regardless of the context in which the word occurs. The speech sounds robotic. It is flat, with no inflection, and there are delays between the words. This yields good intelligibility at low data rates, but it does not provide a natural quality. Natural speech has different inflections depending on the position of the word in a sentence and on whether the sentence is a question, a statement, or an order. In addition, all the words are run together with each word changed by the last sound of the word before it and the first sound of the word after it.

Recording and synthesizing each phrase separately is the easiest way to get natural speech, but often memory constraints force compromises. An expert speech editor can look at a script that lists each word in each context where it occurs and determine what contexts are similar enough to permit reuse.

Once the application is designed and the coding table selected, a recording script must be generated. For systems with partial reuse, this script must include a recording of each word in all necessary contexts. The other two approaches are much more straightforward, with a word list or a phrase list being all that is required.

A.1.2 Speech Collection

Collecting speech for any medium, be it LPC or digital tape, requires significant effort. For high-quality speech, a recording studio and a professional speaker are required. It is possible to achieve acceptable quality with a professional

speaker and a quiet room. Nonprofessional speakers have trouble maintaining uniform levels, speaking properly, and providing the expression and inflection required. In addition, the strain of speaking for long periods of time in a controlled manner is considerable. Nonprofessional speakers are best used only for prototyping.

During the session, it may be necessary to experiment with inflection and expression to find the best approach. Ideally, the person making the final decision on product content and aesthetics should be at the recording session. Leaving this task to others leads to repeat visits to the studio.

There are various techniques that can be used to ensure that the speech will analyze and synthesize properly. Certain consonants need to be emphasized more and spoken more clearly than they are in normal speech. The TI SDS5000 development tool provides immediate feedback of synthetic speech making the collecting process much easier for inexperienced users.

The actual collection process is fairly simple. The speech is converted into a digital form and then analyzed with a very computation intensive algorithm. The SDS5000 uses a TMS32020 digital signal processing chip to permit very rapid analysis. It consists of two boards designed to fit into an IBM-PC, software, and a documentation package. One of the boards contains the TMS32020 and related circuitry and the other contains an analog-to-digital converter, a digital-to-analog converter, digital filters, amplifiers and speech synthesizers to record and play digitized and synthetic speech. The software supports speech collection, analysis, and editing with extensive use of menus, windows, and other user-friendly interfaces.

TI uses an algorithm that provides very high quality but requires low levels of phase distortion. For this reason, audio tape should not be used to collect speech. However, digital audio tape can be used.

A.1.3 LPC Editing

The speech often needs to be edited, both to define the boundaries of the words and to mask imperfections in the model, the analysis and the speaker. Limited changes can be made to change inflection and emphasis, but the best quality is achieved by having the desired sound and inflection well-recorded. Skillful editors can also reduce data rates significantly from those of analyzed speech. Good editing is a difficult skill to learn, requiring a good ear, linguistic knowledge, and a familiarity with computers.

TI offers the SDS5000 Speech Development System, which eases many of these tasks by analyzing the speech immediately to provide quick feedback and to permit re-recording if the synthetic speech does not offer the desired

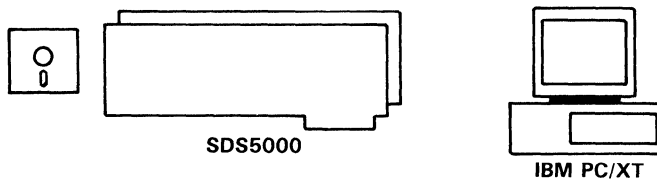
quality. The TSP50C4X devices offer a variety of coding tables, permitting the use of higher data rates to achieve high quality with less editing, along with the flexibility of lower data rates when memory cost constraints outweigh the costs of editing.

A.1.4 Pitfalls

All speech interfaces, LPC or not, are human interfaces, so they are hard to design. Building a prototype system is often useful. The SDS5000 supports quick prototyping.

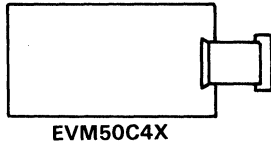
LPC provides very low data rate speech by virtue of its close modeling of the human vocal tract. Other sounds may or may not be modeled accurately by the model. The best way to find out is to try recording and analyzing the sound on the SDS5000. Applications assistance is available from TI for commonly used sounds such as musical tones and chimes. In addition, we have experience with a wide variety of other sounds. On the TSP50C4X devices, it is also possible to get direct access to the D-to-A output, so all sounds can be modeled, although at a considerable penalty in data rate.

A.2 Speech Development Tools



- HIGH-SPEED SPEECH ANALYSIS (2X REAL TIME)
- GRAPHICAL AND NUMERICAL SPEECH EDITING
- MICROPHONE AND LINE LEVEL INPUTS
- HEADPHONE OUTPUTS
- SUPPORTS TSP5220, TSP50C4X
- REQUIRES IBM PC/XT, AT, OR COMPATIBLE WITH CGA CARD
- HARD DISK AND TAPE BACKUP STRONGLY SUGGESTED
- USES TMS32020 DIGITAL SIGNAL PROCESSOR

Figure A-1. SDS5000



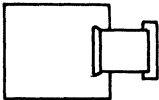
EVM50C4X



IBM PC/XT

- IN CIRCUIT EMULATION
- HARDWARE BREAKPOINTS
- SINGLE STEP
- EXAMINE/MODIFY REGISTERS/MEMORY
- INCLUDES ASSEMBLER
- WORKS WITH IBM PC, PC/XT, PC/AT, AND COMPATIBLES
- REQUIRES EXTERNAL 5-, 12-, - 12-VOLT POWER SUPPLY

Figure A-2. EVM50C4X



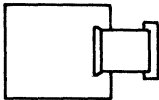
SEB50C4X



EPROM
PROGRAMMER

- IN CIRCUIT EMULATION
- SMALL SIZE, LOW POWER CONSUMPTION
- IDEAL FOR DEMONSTRATION AND FIELD TEST
- REQUIRES INDUSTRY STANDARD EPROM (TMS27C128)

Figure A-3. SEB50C4X



SEB60C20



EPROM
PROGRAMMER

- IN CIRCUIT EMULATION OF UP TO FOUR TSP60C20S
- SMALL SIZE, LOW POWER CONSUMPTION
- IDEAL FOR DEBUGGING, DEMONSTRATION, AND FIELD TEST
- REQUIRES INDUSTRY STANDARD EPROMS (TMS27C256)

Figure A-4. SEB60C20

B TSP50C4X Synthesis Program

This program speaks a single phrase that is stored in the internal ROM, starting at address #0800.

```

0001      *+-----+
0002      * TSP50C4X SYNTHESIS PROGRAM
0003      *+-----+
0004      * COPYRIGHT 1987 TI - SPEECH PRODUCTS
0005      *+-----+
0006      * RAM MAP
0007      *+-----+
0008      *
0009      *
0010      *
0011      *
0012      *
0013      *
0014      *
0015      *
0016      *
0017      *
0018      *
0019      *
0020      *
0021      *
0022      *
0023      *
0024      *
0025      *
0026      *
0027      *
0028      *
0029      *
0030      *
0031      *
0032      *
0033      *
0034      *
0035      *
0036      *
0037      *
0038      *
0039      *

```

| | | | | | | | |
|----------------|------|-----------------|------------|-------------|------------|--------------|------|
| 00 | 01 | 02 | 03 | 04 | 05 | 06 | 07 |
| PITCH NV PV | | ENERGY NV PV | | K1 NV PV | | K2 NV PV | |
| 08 | 09 | 0A | 0B | 0C | 0D | 0E | 0F |
| K3 NV PV | | K4 NV PV | | K5 NV PV | | K6 NV PV | |
| 10 | 11 | 12 | 13 | 14 | 15 | 16 | 17 |
| K7 NV PV | | K8 NV PV | | K9 NV PV | | K10 NV PV | |
| 18 | 19 | 1A | 1B | 1C | 1D | 1E | 1F |
| PBF | EBF | K1BF | K2BF | K3BF | K4BF | K5BF | K6BF |
| 20 | 21 | 22 | 23 | 24 | 25 | 26 | 27 |
| K7BF | K8BF | K9BF | K10- BF | FEBF | FK1- BF | FK2- BF | TEMP |
| 28 | 29 | 2A | 2B | 2C | 2D | 2E | 2F |
| FLA- GS | | | | | | | |
| 30 | 31 | 32 | 33 | 34 | 35 | 36 | 37 |

0086
0087
0088
0089
0090
0091
0092
0093
0094
0095
0096
0097
0098
0099

*
*
*
*
*
*
*
*
*
*
*
*
*
*

| | | | | | | | |
|--|--|--|--|--|--|--|--|
| | | | | | | | |
|--|--|--|--|--|--|--|--|

4 BITS WIDE BELOW (FRACTIONAL VALUES)

| | | | | | | | |
|-----------------|----|------------------|----|--------------|----|--------------|----|
| 80 | 81 | 82 | 83 | 84 | 85 | 86 | 87 |
| FPITCH NV PV | | FENERGY NV PV | | FK1 NV PV | | FK2 NV PV | |
| 88 | 89 | 8A | 8B | 8C | 8D | 8E | 8F |
| FK3 NV PV | | FK4 NV PV | | FK5 NV PV | | FK6 NV PV | |

0100
0101
0102
0103
0104
0105
0106
0107

*+-----+
* ADDRESS LABELS FOR SYNTHESIS ROUTINE
*+-----+
*
*+-----+
* SYNTHESIZER RAM LOCATIONS
*+-----+

| | | | | | |
|------|------|------|-----|-----|------------------------|
| 0108 | 0000 | PNV | EQU | #00 | ;PITCH NEW VALUE |
| 0109 | 0001 | PPV | EQU | #01 | ;PITCH PRESENT VALUE |
| 0110 | 0002 | ENV | EQU | #02 | ;ENERGY NEW VALUE ADDR |
| 0111 | 0003 | EPV | EQU | #03 | ;ENERGY PRESENT VALUE |
| 0112 | 0004 | K1NV | EQU | #04 | ;K1 NEW VALUE |
| 0113 | 0005 | K1PV | EQU | #05 | ;K1 PRESENT VALUE |
| 0114 | 0006 | K2NV | EQU | #06 | ;K2 NEW VALUE |
| 0115 | 0007 | K2PV | EQU | #07 | ;K2 PRESENT VALUE |
| 0116 | 0008 | K3NV | EQU | #08 | ;K3 NEW VALUE |
| 0117 | 0009 | K3PV | EQU | #09 | ;K3 PRESENT VALUE |
| 0118 | 000A | K4NV | EQU | #0A | ;K4 NEW VALUE |
| 0119 | 000B | K4PV | EQU | #0B | ;K4 PRESENT VALUE |
| 0120 | 000C | K5NV | EQU | #0C | ;K5 NEW VALUE |
| 0121 | 000D | K5PV | EQU | #0D | ;K5 PRESENT VALUE |
| 0122 | 000E | K6NV | EQU | #0E | ;K6 NEW VALUE |
| 0123 | 000F | K6PV | EQU | #0F | ;K6 PRESENT VALUE |
| 0124 | 0010 | K7NV | EQU | #10 | ;K7 NEW VALUE |
| 0125 | 0011 | K7PV | EQU | #11 | ;K7 PRESENT VALUE |
| 0126 | 0012 | K8NV | EQU | #12 | ;K8 NEW VALUE |
| 0127 | 0013 | K8PV | EQU | #13 | ;K8 PRESENT VALUE |
| 0128 | 0014 | K9NV | EQU | #14 | ;K9 NEW VALUE |

```

0129      0015 K9PV   EQU    #15   ;K9 PRESENT VALUE
0130      0016 K10NV  EQU    #16   ;K10 NEW VALUE
0131      0017 K10PV  EQU    #17   ;K10 PRESENT VALUE
0132      *-----
0133      * FRACTIONAL VALUES
0134      *-----
0135      0080 FPNV   EQU    #80   ;PITCH NEW VALUE
0136      0081 FPPV   EQU    #81   ;PITCH PRESENT VALUE
0137      0082 FENV   EQU    #82   ;ENERGY PRESENT VALUE ADDR
0138      0083 FEPV   EQU    #83   ;ENERGY NEW VALUE
0139      0084 FK1NV  EQU    #84   ;K1 NEW VALUE
0140      0085 FK1PV  EQU    #85   ;K1 PRESENT VALUE
0141      0086 FK2NV  EQU    #86   ;K2 NEW VALUE
0142      0087 FK2PV  EQU    #87   ;K2 PRESENT VALUE
0143      0088 FK3NV  EQU    #88   ;K3 NEW VALUE
0144      0089 FK3PV  EQU    #89   ;K3 PRESENT VALUE
0145      008A FK4NV  EQU    #8A   ;K4 NEW VALUE
0146      008B FK4PV  EQU    #8B   ;K4 PRESENT VALUE
0147      008C FK5NV  EQU    #8C   ;K5 NEW VALUE
0148      008D FK5PV  EQU    #8D   ;K5 PRESENT VALUE
0149      008E FK6NV  EQU    #8E   ;K6 NEW VALUE
0150      008F FK6PV  EQU    #8F   ;K6 PRESENT VALUE
0151      *+-----+
0152      * BUFFER RAM LOCATIONS
0153      *+-----+
0154      0018 PBF    EQU    #18   ;PITCH BUFFER
0155      0019 EBF    EQU    #19   ;ENERGY BUFFER
0156      001A K1BF   EQU    #1A   ;K1 BUFFER
0157      001B K2BF   EQU    #1B   ;K2 BUFFER
0158      001C K3BF   EQU    #1C   ;K3 BUFFER
0159      001D K4BF   EQU    #1D   ;K4 BUFFER
0160      001E K5BF   EQU    #1E   ;K5 BUFFER
0161      001F K6BF   EQU    #1F   ;K6 BUFFER
0162      0020 K7BF   EQU    #20   ;K7 BUFFER
0163      0021 K8BF   EQU    #21   ;K8 BUFFER
0164      0022 K9BF   EQU    #22   ;K9 BUFFER
0165      0023 K10BF  EQU    #23   ;K10 BUFFER
0166      *-----
0167      * FRACTIONAL BUFFER RAM LOCATIONS
0168      *-----
0169      0024 FEBF   EQU    #24   ;FRACTIONAL ENERGY BUFFER
0170      0025 FK1BF  EQU    #25   ;FRACTIONAL K1 BUFFER
0171      0026 FK2BF  EQU    #26   ;FRACTIONAL K2 BUFFER

```

```

0172          *+-----+
0173          * CONTROL RAM LOCATIONS
0174          *+-----+
0175 0027 TEMP EQU #27 ;TEMPORARY STORAGE
0176 0028 FLAGS EQU #28 ;FLAGS FOR SPEECH
0177          *
0178          *-----
0179          * BIT DEFINITIONS IN RAM LOCATION FLAGS
0180          *-----
0181          *
0182 0001 STP EQU 1 ;STOP DETECTED
0183 0002 INT EQU 2 ;INTERUPT FLAG
0184          * ;SET BY INTERRUPT ROUTINE,
0185          * ;CLEARED BY CONVERSION ROUTINE.
0186 0003 NINTP EQU 3 ;SET FOR NO INTERPOLATION
0187 0004 UNVO EQU 4 ;SET FOR TARGET FRAME UNVOICED
0188 0005 STRT EQU 5 ;SET FOR FIRST TWO FRAMES
0189 0006 STRT1 EQU 6 ;SET WHILE SECOND FRAME IS COMING
          IN
0190 0007 RPT EQU 7 ;SET IF REPEAT DETECTED
0191 0008 STP1 EQU 8 ;SECOND STOP FRAME
0192          *-----
0193          * SPEECH DECODING CONSTANTS
0194          *-----
0195 000F ESTOP EQU #0F ;ENERGY STOP CODE
0196 0000 ESILE EQU #00 ;SILENT CODE
0197          *
0198 0001 REPT EQU #01 ;REPEAT CODE
0199          *
0200 0000 PUNVO EQU #00 ;PITCH UNVOICED CODE
0201          *
0202 001F TMVAL EQU #1F ;VALUE FOR TIMER REGISTER
0203          *-----
0204          * NUMBER OF BITS FOR TSP5220 CODING TABLE
0205          *-----
0206          *
0207 0004 NRGBN EQU 4 ;ENERGY
0208 0006 PITNB EQU 6 ;PITCH
0209 0001 RPTNB EQU 1 ;REPEAT
0210 0005 K1NB EQU 5 ;K1
0211 0005 K2NB EQU 5 ;K2
0212 0004 K3NB EQU 4 ;K3
0213 0004 K4NB EQU 4 ;K4
0214 0004 K5NB EQU 4 ;K5
0215 0004 K6NB EQU 4 ;K6

```

```

0216      0004 K7NB EQU 4 ;K7
0217      0003 K8NB EQU 3 ;K8
0218      0003 K9NB EQU 3 ;K9
0219      0003 K10NB EQU 3 ;K10
0220      *-----*
0221      * BEGINNING OF PROGRAM
0222      *-----*
0223 0000      AORG #0000
0224 0000 84      SBR GOGO ;POWER UP VECTOR
0225 0001 84      SBR GOGO
0226 0002 86      SBR INTO ;INTERRUPT VECTOR
0227 0003 86      SBR INTO
0228 0004 61 GOGO BR GO ;BRANCH TO SPEECH ROUTINE
      0005 5F
0229 0006 62 INTO BR INT1 ;BRANCH TO INTERUPT ROUTINE.
      0007 C3
0230      *-----*
0231      * 5220 SPEECH DECODING TABLES.
0232      *-----*
0233      *
0234      *+-----+
0235      * ENERGY DECODING TABLE
0236      *+-----+
0237 0008 00 TABEN BYTE #00 ;CODED AS 0
0238 0009 00      BYTE #00 ;ENERGY CODE 1
0239 000A 01      BYTE #01 ;ENERGY CODE 2
0240 000B 01      BYTE #01 ;ENERGY CODE 3
0241 000C 02      BYTE #02 ;ENERGY CODE 4
0242 000D 03      BYTE #03 ; 5
0243 000E 05      BYTE #05 ; 6
0244 000F 07      BYTE #07 ; 7
0245 0010 0A      BYTE #0A ; 8
0246 0011 0E      BYTE #0E ; 9
0247 0012 14      BYTE #14 ; 10
0248 0013 1C      BYTE #1C ; 11
0249 0014 28      BYTE #28 ; 12
0250 0015 38      BYTE #38 ; 13
0251 0016 50      BYTE #50 ; 14
0252      *+-----+
0253      * PITCH DECODING TABLE
0254      *+-----+
0255 0017 0C TABPI BYTE #0C UNVOICED
0256 0018 10      BYTE #10 625 HZ
0257 0019 11      BYTE #11 588
0258 001A 12      BYTE #12 555

```


| | | | | | |
|------|------|----|------|-----|-----|
| 0259 | 001B | 13 | BYTE | #13 | 526 |
| 0260 | 001C | 14 | BYTE | #14 | 500 |
| 0261 | 001D | 15 | BYTE | #15 | 476 |
| 0262 | 001E | 16 | BYTE | #16 | 454 |
| 0263 | 001F | 17 | BYTE | #17 | 435 |
| 0264 | 0020 | 18 | BYTE | #18 | 416 |
| 0265 | 0021 | 19 | BYTE | #19 | 400 |
| 0266 | 0022 | 1A | BYTE | #1A | 384 |
| 0267 | 0023 | 1B | BYTE | #1B | 370 |
| 0268 | 0024 | 1C | BYTE | #1C | 357 |
| 0269 | 0025 | 1D | BYTE | #1D | 344 |
| 0270 | 0026 | 1E | BYTE | #1E | 333 |
| 0271 | 0027 | 1F | BYTE | #1F | 322 |
| 0272 | 0028 | 20 | BYTE | #20 | 312 |
| 0273 | 0029 | 21 | BYTE | #21 | 303 |
| 0274 | 002A | 22 | BYTE | #22 | 294 |
| 0275 | 002B | 23 | BYTE | #23 | 286 |
| 0276 | 002C | 24 | BYTE | #24 | 278 |
| 0277 | 002D | 25 | BYTE | #25 | 270 |
| 0278 | 002E | 26 | BYTE | #26 | 263 |
| 0279 | 002F | 27 | BYTE | #27 | 256 |
| 0280 | 0030 | 28 | BYTE | #28 | 250 |
| 0281 | 0031 | 29 | BYTE | #29 | 244 |
| 0282 | 0032 | 2A | BYTE | #2A | 238 |
| 0283 | 0033 | 2B | BYTE | #2B | 232 |
| 0284 | 0034 | 2D | BYTE | #2D | 222 |
| 0285 | 0035 | 2F | BYTE | #2F | 212 |
| 0286 | 0036 | 31 | BYTE | #31 | 204 |
| 0287 | 0037 | 33 | BYTE | #33 | 196 |
| 0288 | 0038 | 35 | BYTE | #35 | 189 |
| 0289 | 0039 | 36 | BYTE | #36 | 185 |
| 0290 | 003A | 39 | BYTE | #39 | 175 |
| 0291 | 003B | 3B | BYTE | #3B | 169 |
| 0292 | 003C | 3D | BYTE | #3D | 163 |
| 0293 | 003D | 3F | BYTE | #3F | 158 |
| 0294 | 003E | 42 | BYTE | #42 | 151 |
| 0295 | 003F | 45 | BYTE | #45 | 145 |
| 0296 | 0040 | 47 | BYTE | #47 | 141 |
| 0297 | 0041 | 49 | BYTE | #49 | 137 |
| 0298 | 0042 | 4D | BYTE | #4D | 130 |
| 0299 | 0043 | 4F | BYTE | #4F | 126 |
| 0300 | 0044 | 51 | BYTE | #51 | 123 |
| 0301 | 0045 | 55 | BYTE | #55 | 118 |
| 0302 | 0046 | 57 | BYTE | #57 | 115 |
| 0303 | 0047 | 5C | BYTE | #5C | 109 |

| | | | | | |
|---------------------|------|----|-------|--|--|
| 0304 | 0048 | 5F | BYTE | #5F | 105 |
| 0305 | 0049 | 63 | BYTE | #63 | 101 |
| 0306 | 004A | 66 | BYTE | #66 | 98 |
| 0307 | 004B | 6A | BYTE | #6A | 94 |
| 0308 | 004C | 6E | BYTE | #6E | 91 |
| 0309 | 004D | 73 | BYTE | #73 | 87 |
| 0310 | 004E | 77 | BYTE | #77 | 84 |
| 0311 | 004F | 7B | BYTE | #7B | 81 |
| 0312 | 0050 | 80 | BYTE | #80 | 78 |
| 0313 | 0051 | 85 | BYTE | #85 | 75 |
| 0314 | 0052 | 8A | BYTE | #8A | 72 |
| 0315 | 0053 | 8F | BYTE | #8F | 70 |
| 0316 | 0054 | 95 | BYTE | #95 | 67 |
| 0317 | 0055 | 9A | BYTE | #9A | 65 |
| 0318 | 0056 | A0 | BYTE | #A0 | 62 |
| 0319 | | | | | |
| 0320 | | | | | |
| 0321 | | | | | |
| *+-----+ | | | | | |
| * K1 DECODING TABLE | | | | | |
| *+-----+ | | | | | |
| 0322 | 0057 | 82 | TABK1 | BYTE | #82, #83, #83, #84, #84, #85, #86, #87, #88, #89 |
| | 0058 | 83 | | | |
| | 0059 | 83 | | | |
| | 005A | 84 | | | |
| | 005B | 84 | | | |
| | 005C | 85 | | | |
| | 005D | 86 | | | |
| | 005E | 87 | | | |
| | 005F | 88 | | | |
| | 0060 | 89 | | | |
| 0323 | 0061 | 8A | BYTE | #8A, #8C, #8D, #8F, #90, #92, #99, #A1, #AB, #B8 | |
| | 0062 | 8C | | | |
| | 0063 | 8D | | | |
| | 0064 | 8F | | | |
| | 0065 | 90 | | | |
| | 0066 | 92 | | | |
| | 0067 | 99 | | | |
| | 0068 | A1 | | | |
| | 0069 | AB | | | |
| | 006A | B8 | | | |
| 0324 | 006B | C7 | BYTE | #C7, #D8, #EB, #00, #14, #27, #38, #47, #54, #5E | |
| | 006C | D8 | | | |
| | 006D | EB | | | |
| | 006E | 00 | | | |

| | | | |
|------|------|----|--|
| 006F | 14 | | |
| 0070 | 27 | | |
| 0071 | 38 | | |
| 0072 | 47 | | |
| 0073 | 54 | | |
| 0074 | 5E | | |
| 0325 | 0075 | 67 | BYTE #67,#6D |
| | 0076 | 6D | |
| 0326 | | | *+-----+ |
| 0327 | | | * K2 DECODING TABLE |
| 0328 | | | *+-----+ |
| 0329 | 0077 | AE | TABK2 BYTE #AE,#B4,#BB,#C3,#CB,#D4,#DD,#E7 |
| | 0078 | B4 | |
| | 0079 | BB | |
| | 007A | C3 | |
| | 007B | CB | |
| | 007C | D4 | |
| | 007D | DD | |
| | 007E | E7 | |
| 0330 | 007F | F1 | BYTE #F1,#FB,#06,#10,#1A,#24,#2D,#36 |
| | 0080 | FB | |
| | 0081 | 06 | |
| | 0082 | 10 | |
| | 0083 | 1A | |
| | 0084 | 24 | |
| | 0085 | 2D | |
| | 0086 | 36 | |
| 0331 | 0087 | 3E | BYTE #3E,#45,#4C,#53,#58,#5D,#62,#66 |
| | 0088 | 45 | |
| | 0089 | 4C | |
| | 008A | 53 | |
| | 008B | 58 | |
| | 008C | 5D | |
| | 008D | 62 | |
| | 008E | 66 | |
| 0332 | 008F | 69 | BYTE #69,#6C,#6F,#71,#73,#75,#77,#7E |
| | 0090 | 6C | |
| | 0091 | 6F | |
| | 0092 | 71 | |
| | 0093 | 73 | |
| | 0094 | 75 | |
| | 0095 | 77 | |
| | 0096 | 7E | |

```

0333      *+-----+
0334      * K3 DECODING TABLE
0335      *+-----+
0336 0097 92  TABK3  BYTE   #92,#9F,#AD,#BA,#C8,#D5,#E3,#FO
      0098 9F
      0099 AD
      009A BA
      009B C8
      009C D5
      009D E3
      009E FO
0337 009F FE          BYTE   #FE,#0B,#19,#26,#34,#41,#4F,#5C
      00A0 0B
      00A1 19
      00A2 26
      00A3 34
      00A4 41
      00A5 4F
      00A6 5C

0338      *+-----+
0339      * K4 DECODING TABLE
0340      *+-----+
0341 00A7 AE  TABK4  BYTE   #AE,#BC,#CA,#D8,#E6,#F4,#01,#0F
      00A8 BC
      00A9 CA
      00AA D8
      00AB E6
      00AC F4
      00AD 01
      00AE 0F
0342 00AF 1D          BYTE   #1D,#2B,#39,#47,#55,#63,#71,#7E
      00B0 2B
      00B1 39
      00B2 47
      00B3 55
      00B4 63
      00B5 71
      00B6 7E

0343      *+-----+
0344      * K5 DECODING TABLE
0345      *+-----+
0346 00B7 AE  TABK5  BYTE   #AE,#BA,#C5,#D1,#DD,#E8,#F4,#FF
      00B8 BA
      00B9 C5
      00BA D1

```

```

00BB DD
00BC E8
00BD F4
00BE FF
0347 00BF 0B          BYTE   #0B,#17,#22,#2E,#39,#45,#51,#5C
00C0 17
00C1 22
00C2 2E
00C3 39
00C4 45
00C5 51
00C6 5C
0348          *+-----+
0349          * K6 DECODING TABLE
0350          *+-----+
0351 00C7 C0  TABK6  BYTE   #C0,#CB,#D6,#E1,#EC,#F7,#03,#0E
00C8 CB
00C9 D6
00CA E1
00CB EC
00CC F7
00CD 03
00CE 0E
0352 00CF 19          BYTE   #19,#24,#2F,#3A,#45,#50,#5B,#66
00D0 24
00D1 2F
00D2 3A
00D3 45
00D4 50
00D5 5B
00D6 66
0353          *+-----+
0354          * K7 DECODING TABLE
0355          *+-----+
0356 00D7 B3  TABK7  BYTE   #B3,#BF,#CB,#D7,#E3,#EF,#FB,#07
00D8 BF
00D9 CB
00DA D7
00DB E3
00DC EF
00DD FB
00DE 07
0357 00DF 13  BYTE          #13,#1F,#2B,#37,#43,#4F,#5A,#66
00E0 1F
00E1 2B

```

```

00E2 37
00E3 43
00E4 4F
00E5 5A
00E6 66
0358 *+-----+
0359 * K8 DECODING TABLE
0360 *+-----+
0361 00E7 C0 TABK8 BYTE #C0,#D8,#F0,#07,#1F,#37,#4F,#66
      00E8 D8
      00E9 F0
      00EA 07
      00EB 1F
      00EC 37
      00ED 4F
      00EE 66
0362 *+-----+
0363 * K9 DECODING TABLE
0364 *+-----+
0365 00EF C0 TABK9 BYTE #C0,#D4,#E8,#FC,#10,#25,#39,#4D
      00F0 D4
      00F1 E8
      00F2 FC
      00F3 10
      00F4 25
      00F5 39
      00F6 4D
0366 *+-----+
0367 * K10 DECODING TABLE
0368 *+-----+
0369 00F7 CD TAK10 BYTE #CD,#DF,#F1,#04,#16,#28,#3B,#4D
      00F8 DF
      00F9 F1
      00FA 04
      00FB 16
      00FC 28
      00FD 3B
      00FE 4D
0370 *+-----+
0371 * FRACTIONAL ENERGY DECODING TABLE
0372 *+-----+
0373 00FF 00 TABEF BYTE #00,#0C,#04,#0C,#08,#08,#00,#04
      0100 0C
      0101 04
      0102 0C

```

```

0103 08
0104 08
0105 00
0106 04
0374 0107 00          BYTE    #00,#04,#04,#08,#04,#0C,#04,#04
0108 04
0109 04
010A 08
010B 04
010C 0C
010D 04
010E 04
0375                *+-----+
0376                * FRACTIONAL K1 DECODING TABLE
0377                *+-----+
0378 010F 0C        TAK1F    BYTE    #0C,#08,#0C,#04,#0C,#04,#00,#08
0110 08
0111 0C
0112 04
0113 0C
0114 04
0115 00
0116 08
0379 0117 08          BYTE    #08,#08,#0C,#00,#04,#00,#0C,#0C
0118 08
0119 0C
011A 00
011B 04
011C 00
011D 0C
011E 0C
0380 011F 00          BYTE    #00,#04,#08,#04,#04,#0C,#0C,#00
0120 04
0121 08
0122 04
0123 04
0124 0C
0125 0C
0126 00
0381 0127 04          BYTE    #04,#04,#0C,#0C,#08,#0C,#00,#04
0128 04
0129 0C
012A 0C
012B 08
012C 0C

```

```

012D 00
012E 04
0382 *+-----+
0383 * FRACTIONAL K2 DECODING TABLE
0384 *+-----+
0385 012F 00 TAK2F BYTE #00,#08,#08,#04,#08,#04,#0C,#08
      0130 08
      0131 08
      0132 04
      0133 08
      0134 04
      0135 0C
      0136 08
0386 0137 08 BYTE #08,#0C,#00,#04,#04,#00,#04,#00
      0138 0C
      0139 00
      013A 04
      013B 04
      013C 00
      013D 04
      013E 00
0387 013F 04 BYTE #04,#0C,#0C,#00,#08,#0C,#04,#04
      0140 0C
      0141 0C
      0142 00
      0143 08
      0144 0C
      0145 04
      0146 04
0388 0147 0C BYTE #0C,#0C,#08,#0C,#0C,#08,#00,#08
      0148 0C
      0149 08
      014A 0C
      014B 0C
      014C 08
      014D 00
      014E 08
0389 *+-----+
0390 * INIT: INITIALIZE PROCESSOR
0391 *+-----+
0392 014F 1D INIT INTD ; DISABLE INTERRUPTS
0393 0150 1B STOP ; STOP SYNTHESIZER
0394 0151 00 CLA
0395 0152 50 ACAA 49 ; 200 SAMPLES/FR (200/4) - 1
      0153 31

```



```

0396 0154 5D          TAPSC          ; INTO PRESCALE REGISTER
0397 0155 1F          RETN
0398                *
0399                *-----
0400                * RAM CLEAR
0401                *
0402                * SUBROUTINE NAME : RAMO
0403                * USES : A, X, ALL OF RAM
0404                * DESCRIPTION : FILLS RAM WITH ZEROES
0405                *
0406                *-----
0407 0156 00          RAMO   CLA          ;CLEAR ACCUMULATOR
0408 0157 11          CLX          ;POINT TO FIRST RAM LOCATION
0409 0158 09          RC1    TAM          ;CLEAR RAM LOCATION
0410 0159 0F          IXC          ;POINT TO NEXT RAM LOCATION
0411 015A 55          XGEC   #90        ;AT END OF RAM?
0412 015B 90
0412 015C DE          SBR    RC2        ;BRANCH IF SO
0413 015D D8          SBR    RC1
0414 015E 1F          RC2    RETN
0415                *
0416                *-----
0417                * START OF SYNTHESIS PROGRAM
0418                *-----
0419 015F 71          GO     CALL   INIT   ;INITIALIZE PROCESSOR
0420 0160 4F          CALL   RAMO        ;CLEAR INTERNAL RAM
0421 0161 71          RSECT          ;MAKE TIMER INPUT INTERNAL
0422 0162 56
0423 0163 2E          *
0423 0164 00          CLA          ;HIGH 5 BITS OF SPEECH ADDRESS
0424 0165 50          ACAA   #08
0424 0166 08
0425 0167 0B          TASH          ;INTO HIGH BITS OF SAR
0426 0168 00          CLA          ;LOW BYTE OF ADDRESS = 0
0427 0169 0A          TASL          ;INTO LOW BYTE OF SAR
0428                *
0429 016A 59          LUSPS          ;INITIALIZE PARALLEL TO SERIAL REG
0430 016B 2C          INTRM         ;USE INTERNAL ROM
0431 016C 71          CALL   SPSTR     ;SPEAK
0431 016D 70
0432                *
0433 016E 61          LOOP   BR     LOOP   ;LOOP FOREVER
0433 016F 6E

```

```

0434      *
0435      *****
0436      * SPEECH
0437      *
0438      * SUBROUTINE NAME : SPSTR
0439      * USES : A X, B, RAM FROM 0 TO #29
0440      * RAM FROM #80 TO #8F
0441      * 2 STACK LEVELS
0442      * DESCRIPTION : SYNTHESIZES SPEECH
0443      *
0444      *****
0445 0170 56 SPSTR TCX PBF
           0171 18
0446 0172 00          CLA
0447 0173 50          ACAA #0C
           0174 0C
0448 0175 09          TAM          ;SOME PITCH TO START OUT WITH, IN
                                   ;CASE WE
0449      * FRAME
0450 0176 56          TCX          FLAGS ;
           0177 28
0451 0178 00          CLA          ;CLEAR FLAGS
0452 0179 09          TAM          ;
0453 017A 3C          SBITM STRT    ;FLAG START OF SPEECH
0454 017B 61          BR          SPDE2 ;BRANCH AROUND INTERRUPT CHECK
           017C 8B
0455      *
0456      *****
0457      * SPEECH DECODING PROGRAM DECODED VALUE IN BUFFER
0458      *****
0459 017D 56 SPDEC TCX FLAGS
           017E 28
0460 017F 41          TBITM INT     ;HAS INTERRUPT OCCURED?
0461 0180 83          SBR          SPDE1 ;IF SO, GO FOR IT
0462 0181 61          BR          SPDEC ;ELSE WAIT
           0182 7D
0463      *
0464 0183 49 SPDE1 RBITM INT     ;RESET INTERRUPT FLAG
0465 0184 4A          RBITM NINTP   ;RESET INTERPOLATION INHIBIT
0466      *
0467 0185 40          TBITM STP     ;CHECK STOP FLAG
0468 0186 63          BR          STPIT ;BRANCH IF STOP IS APPROPRIATE
           0187 38
0469      *
0470 0188 47          TBITM STP1    ;CHECK STOP1 FLAG

```

```

0471 0189 61          BR      STPI1  ;BRANCH IF STOP IS APPROPRIATE
      018A 96
0472                *
0473 018B 00 SPDE2  CLA          ;CLEAR A
0474 018C 23          GET      NRGNB  ;GET ENERGY
0475 018D 54          ANEC     ESTOP  ;IS IT THE STOP CODE?
      018E 0F
0476 018F 61          BR      NOSTP  ;BRANCH IF NOT
      0190 99
0477 0191 56          TCX     FLAGS
      0192 28
0478                *
0479 0193 3F          SBITM  STP1   ;FLAG STOP1
0480                *
0481 0194 62          BR      CLRPR  ;GO CLEAR PARAMETERS
      0195 5A
0482                *
0483 0196 38 STPI1  SBITM  STP
0484 0197 61          BR      SPDEC
      0198 7D
0485                *
0486 0199 54 NOSTP  ANEC     ESILE  ;IS IT A SILENT FRAME?
      019A 00
0487 019B 61          BR      NOSIL  ;BRANCH IF NOT
      019C 9F
0488 019D 62          BR      CLRPR  ;IF SO, GO CLEAR PARAMETERS
      019E 5A
0489 019F 56 NOSIL  TCX     TEMP
      01A0 27
0490 01A1 09          TAM
      01A2 50          ACAA  TABEN  ;SAVE ENERGY CODE
      01A3 08          ;START OF ENERGY TABLE
0492 01A4 58          LUAA
      01A5 56          TCX     EBF   ;DECODE ENERGY
      01A6 19
0494 01A7 09          TAM
      01A8 56          TCX     TEMP  ;PUT IT AWAY
      01A9 27
0496 01AA 04          TMA
      01AB 50          ACAA  TABEF  ;GET ENERGY CODE BACK
      01AC FF          ;START OF FRACTIONAL ENERGY TABLE
0498 01AD 58          LUAA
      01AE 56          TCX     FEBF  ;DECODE ENERGY
      01AF 24
0500 01B0 09          TAM
      ;PUT IT AWAY

```

```

0501          *
0502          * REPEAT
0503          *
0504 01B1 00          CLA          ;CLEAR A
0505 01B2 20          GET          RPTNB  ;GET REPEAT BIT
0506 01B3 56          TCX          FLAGS  ;
      01B4 28
0507 01B5 4E          RBITM       RPT    ;SET BIT REPEAT
0508 01B6 54          ANEC        REPT   ;IS IT REPEAT?
      01B7 01
0509 01B8 BA          SBR         LABPI  ; GO TO PITCH
0510 01B9 3E          SBITM       RPT    ;IF NOT RESET BIT REPEAT
0511          *
0512          * PITCH
0513          *
0514 01BA 00          LABPI       CLA    ;CLEAR A
0515 01BB 25          GET          PITNB  ;GET PITCH
0516 01BC 54          ANEC        PUNVO  ;IS IT UNVOICED?
      01BD 00
0517 01BE 61          BR          VOICE  ;BRANCH IF NOT
      01BF D6
0518 01C0 56          TCX          FLAGS  ;LOOK AT FLAGS
      01C1 28
0519 01C2 43          TBITM       UNVO   ;WAS IT UNVOICED BEFORE?
0520 01C3 C5          SBR         UNV1   ;BRANCH IF SO
0521 01C4 3A          SBITM       NINTP  ;DISABLE INTERPOLATION IF NOT
0522 01C5 3B          UNV1       SBITM  UNVO  ;SET PITCH UNVOICED
0523          *
0524 01C6 56          TCX          PBF
      01C7 18
0525 01C8 00          CLA
0526 01C9 50          ACAA        #OC
      01CA 0C
0527 01CB 09          TAM
0528          *
0529 01CC 56          TCX          ENV    ;LOOK AT ENERGY OF PREVIOUS FRAME
      01CD 02
0530 01CE 04          TMA
0531 01CF 54          ANEC        0      ;WAS IT 0 (SILENT FRAME)
      01D0 00
0532 01D1 E6          SBR         KPARM  ;BRANCH IF NOT
0533 01D2 56          TCX          FLAGS
      01D3 28
0534 01D4 3A          SBITM       NINTP
0535 01D5 E6          SBR         KPARM  ;BRANCH IF NOT

```

```

0536 01D6 56 VOICE TCX TEMP
      01D7 27
0537 01D8 09 TAM ;SAVE PITCH CODE
0538 01D9 50 ACAA TABPI ;START OF PITCH TABLE
      01DA 17
0539 01DB 58 LUAA ;DECODE PITCH
0540 01DC 56 TCX PBF
      01DD 18
0541 01DE 09 TAM ;PUT IT IN PITCH BUFFER
0542 01DF 56 TCX FLAGS ;TEST FLAG
      01E0 28
0543 01E1 43 TBITM UNVO ;WAS IT UNVOICED BEFORE?
0544 01E2 E4 SBR VOIC1 ;BRANCH IF NOT
0545 01E3 E5 SBR VOIC2 ;BRANCH IF SO
0546 01E4 3A VOIC1 SBITM NINTP ;DISABLE INTERPOLATION
0547 01E5 4B VOIC2 RBITM UNVO ;WE WANT VOICING HERE
0548 *
0549 * K PARAMETERS DECODING
0550 *
0551 01E6 56 KPARM TCX FLAGS
      01E7 28
0552 01E8 46 TBITM RPT ;IF BIT REPEAT
0553 01E9 62 BR SPCEX ;EXIT SPEECH
      01EA 86
0554 01EB 00 CLA ;CLEAR A
0555 01EC 24 GET K1NB ;GET K1
0556 01ED 56 TCX TEMP ;
      01EE 27
0557 01EF 09 TAM ;SAVE K1 CODE
0558 01F0 50 ACAA TABK1 ;POINT AT K1 TABLE
      01F1 57
0559 01F2 58 LUAA ;DECODE IT
0560 01F3 56 TCX K1BF
      01F4 1A
0561 01F5 09 TAM ;PUT IT AWAY
0562 01F6 56 TCX TEMP
      01F7 27
0564 01F9 51 ACAA TAK1F ;POINT AT K1 FRACTION TABLE
      01FA 0F
0565 01FB 58 LUAA ;DECODE IT
0566 01FC 56 TCX FK1BF
      01FD 25
0567 01FE 09 TAM ;PUT IT AWAY
0568 01FF 00 CLA ;CLEAR A
0569 0200 24 GET K2NB ;GET K2

```

| | | | | | |
|------|------|----|----------------------|-------|--------------------------------|
| 0570 | 0201 | 56 | TCX | TEMP | |
| | 0202 | 27 | | | |
| 0571 | 0203 | 09 | TAM | | ;SAVE K2 CODE |
| 0572 | 0204 | 50 | ACAA | TABK2 | ;POINT AT K2 TABLE |
| | 0205 | 77 | | | |
| 0573 | 0206 | 58 | LUAA | | ;DECODE IT |
| 0574 | 0207 | 56 | TCX | K2BF | |
| | 0208 | 1B | | | |
| 0575 | 0209 | 09 | TAM | | ;PUT IT AWAY |
| 0576 | 020A | 56 | TCX | TEMP | |
| | 020B | 27 | | | |
| 0577 | 020C | 04 | TMA | | ;GET K2 CODE |
| 0578 | 020D | 51 | ACAA | TAK2F | ;POINT AT K2 TABLE |
| | 020E | 2F | | | |
| 0579 | 020F | 58 | LUAA | | ;DECODE IT |
| 0580 | 0210 | 56 | TCX | FK2BF | |
| | 0211 | 26 | | | |
| 0581 | 0212 | 09 | TAM | | ;PUT IT AWAY |
| 0582 | 0213 | 00 | CLA | | ;CLEAR A |
| 0583 | 0214 | 23 | GET | K3NB | ;GET K3 |
| 0584 | 0215 | 50 | ACAA | TABK3 | ;POINT AT K3 TABLE |
| | 0216 | 97 | | | |
| 0585 | 0217 | 58 | LUAA | | ;DECODE IT |
| 0586 | 0218 | 56 | TCX | K3BF | |
| | 0219 | 1C | | | |
| 0587 | 021A | 09 | TAM | | ;PUT IT AWAY |
| 0588 | 021B | 00 | CLA | | ;CLEAR A |
| 0589 | 021C | 23 | GET | K4NB | ;GET K4 |
| 0590 | 021D | 50 | ACAA | TABK4 | ;POINT AT K4 TABLE |
| | 021E | A7 | | | |
| 0591 | 021F | 58 | LUAA | | ;DECODE IT |
| 0592 | 0220 | 56 | TCX | K4BF | |
| | 0221 | 1D | | | |
| 0593 | 0222 | 09 | TAM | | ;PUT IT AWAY |
| 0594 | 0223 | 56 | TCX | FLAGS | |
| | 0224 | 28 | | | |
| 0595 | 0225 | 43 | TBITM | UNVO | ;IF UNVOICED GO CLEAR THE REST |
| 0596 | 0226 | 62 | BR | CLRP1 | ;GO K5 K6 K7 K8 K9 K10 |
| | 0227 | 73 | | | |
| 0597 | | | * | | |
| 0598 | | | * K5 K6 K7 K8 K9 K10 | | |
| 0599 | | | * | | |
| 0600 | 0228 | 00 | CLA | | ;CLEAR A |
| 0601 | 0229 | 23 | GET | K5NB | ;GET K5 |
| 0602 | 022A | 50 | ACAA | TABK5 | ;POINT AT K5 TABLE |

| | | | | | |
|------|------|----|------|-------|---------------------|
| | 022B | B7 | | | |
| 0603 | 022C | 58 | LUAA | | ;DECODE IT |
| 0604 | 022D | 56 | TCX | K5BF | |
| | 022E | 1E | | | |
| 0605 | 022F | 09 | TAM | | ;PUT IT AWAY |
| 0606 | 0230 | 00 | CLA | | ;CLEAR A |
| 0607 | 0231 | 23 | GET | K6NB | ;GET K6 |
| 0608 | 0232 | 50 | ACAA | TABK6 | ;POINT AT K6 TABLE |
| | 0233 | C7 | | | |
| 0609 | 0234 | 58 | LUAA | | ;DECODE IT |
| 0610 | 0235 | 56 | TCX | K6BF | |
| | 0236 | 1F | | | |
| 0611 | 0237 | 09 | TAM | | ;PUT IT AWAY |
| 0612 | 0238 | 00 | CLA | | ;CLEAR A |
| 0613 | 0239 | 23 | GET | K7NB | ;GET K7 |
| 0614 | 023A | 50 | ACAA | TABK7 | ;POINT AT K7 TABLE |
| | 023B | D7 | | | |
| 0615 | 023C | 58 | LUAA | | ;DECODE IT |
| 0616 | 023D | 56 | TCX | K7BF | |
| | 023E | 20 | | | |
| 0617 | 023F | 09 | TAM | | ;PUT IT AWAY |
| 0618 | 0240 | 00 | CLA | | ;CLEAR A |
| 0619 | 0241 | 22 | GET | K8NB | ;GET K8 |
| 0620 | 0242 | 50 | ACAA | TABK8 | ;POINT AT K8 TABLE |
| | 0243 | E7 | | | |
| 0621 | 0244 | 58 | LUAA | | ;DECODE IT |
| 0622 | 0245 | 56 | TCX | K8BF | |
| | 0246 | 21 | | | |
| 0623 | 0247 | 09 | TAM | | ;PUT IT AWAY |
| 0624 | 0248 | 00 | CLA | | ;CLEAR A |
| 0625 | 0249 | 22 | GET | K9NB | ;GET K9 |
| 0626 | 024A | 50 | ACAA | TABK9 | ;POINT AT K9 TABLE |
| | 024B | EF | | | |
| 0627 | 024C | 58 | LUAA | | ;DECODE IT |
| 0628 | 024D | 56 | TCX | K9BF | |
| | 024E | 22 | | | |
| 0629 | 024F | 09 | TAM | | ;PUT IT AWAY |
| 0630 | 0250 | 00 | CLA | | ;CLEAR A |
| 0631 | 0251 | 22 | GET | K10NB | ;GET K10 |
| 0632 | 0252 | 50 | ACAA | TAK10 | ;POINT AT K10 TABLE |
| | 0253 | F7 | | | |
| 0633 | 0254 | 58 | LUAA | | ;DECODE IT |
| 0634 | 0255 | 56 | TCX | K10BF | |
| | 0256 | 23 | | | |
| 0635 | 0257 | 09 | TAM | | ;PUT IT AWAY |

```

0636 0258 62          BR      SPCEX
      0259 86
0637          *
0638          * CLEAR ALL PARAMETERS
0639          *
0640 025A 00 CLRPR  CLA          ;GET READY TO CLEAR NEW PARAMETERS
0641 025B 56          TCX      EBF      ;ENERGY NEW VALUE
      025C 19
0642 025D 09          TAM          ;CLEARED
0643 025E 56          TCX      FEBF
      025F 24
0644 0260 09          TAM
0645 0261 56          TCX      FK1BF
      0262 25
0646 0263 09          TAM
0647 0264 56          TCX      FK2BF
      0265 26
0648 0266 09          TAM
0649 0267 56          TCX      K1BF
      0268 1A
0650 0269 09          TAM
0651 026A 56          TCX      K2BF
      026B 1B
0652 026C 09          TAM
0653 026D 56          TCX      K3BF
      026E 1C
0654 026F 09          TAM
0655 0270 56          TCX      K4BF
      0271 1D
0656 0272 09          TAM
0657 0273 00 CLRPR1 CLA
0658 0274 56          TCX      K5BF
      0275 1E
0659 0276 09          TAM
0660 0277 56          TCX      K6BF
      0278 1F
0661 0279 09          TAM
0662 027A 56          TCX      K7BF
      027B 20
0663 027C 09          TAM
0664 027D 56          TCX      K8BF
      027E 21
0665 027F 09          TAM
0666 0280 56          TCX      K9BF
      0281 22

```



```

0667 0282 09          TAM
0668 0283 56          TCX      K10BF
      0284 23
0669 0285 09          TAM
0670          *
0671 0286 56  SPCEX   TCX      FLAGS
      0287 28
0672 0288 44          TBITM   STRT   ;FIRST TWO FRAMES?
0673 0289 8C          SBR      SPCE1   ;BRANCH IF SO
0674 028A 61          BR       SPDEC   ;GO DO IT ALL OVER AGAIN
      028B 7D
0675 028C 45  SPCE1   TBITM   STRT1   ;SECOND FRAME?
0676 028D 62          BR       SPCE2
      028E B3
0677 028F 3D          SBITM   STRT1   ;NEXT ONE IS SECOND FRAME
0678          *
0679          * THIS SECTION COPIES THE BUFFER INTO PRESENT VALUES
0680
0681          * PITCH
0682          *
0683 0290 56          TCX      PPV      ;PITCH PRESENT VALUE
      0291 01
0684 0292 0E          XBX              ;POINTER IN B
0685 0293 56          TCX      PBF      ;POINT AT PITCH BUFFER
      0294 18
0686          *
0687 0295 05  PCOPY   TMAIX              ;GET VALUE, POINT AT NEXT BUFFER
0688 0296 0E          XBX              ;POINT AT PRESENT VALUE
0689 0297 09          TAM              ;STORE AS PRESENT VALUE
0690 0298 0F          IXC              ;POINT AT NEXT PRESENT VALUE LOCATION
0691 0299 0F          IXC
0692 029A 0E          XBX              BACK TO BUFFER POINTER
0693 029B 55          XGEC      K10BF 1  DONE?
      029C 24
0694 029D 9F          SBR      FCOPY   BRANCH IF SO
0695 029E 95          SBR      PCOPY
0696          *
0697 029F 56  FCOPY   TCX      FEBF   ;POINT AT ENERGY FRACTIONAL BUFFER
      02A0 24
0698 02A1 04          TMA              ;GET VALUE
0699 02A2 56          TCX      FEPV   ;ENERGY FRACTIONAL PRESENT VALUE
      02A3 83
0700 02A4 09          TAM
0701          *
0702          * K PARAMETERS

```

```

0703          *
0704 02A5 56      TCX      FK1BF      ;POINT AT K1 FRACTIONAL BUFFER
      02A6 25
0705 02A7 04      TMA              ;GET VALUE
0706 02A8 56      TCX      FK1PV      ;K1 FRACTIONAL PRESENT VALUE
      02A9 85
0707 02AA 09      TAM
0708 02AB 56      TCX      FK2BF      ;POINT AT K2 FRACTIONAL BUFFER
      02AC 26
0709 02AD 04      TMA              ;GET VALUE
0710 02AE 56      TCX      FK2PV      ;K2 FRACTIONAL PRESENT VALUE
      02AF 87
0711 02B0 09      TAM
0712 02B1 61      BR       SPDE2      ;GO FILL BUFFER AGAIN
      02B2 8B
0713          *
0714          * HERE FOR SECOND FRAME
0715 02B3 62      SPCE2   BR       T$IR1  ;GO MOVE BUFFER INTO NEW VALUES
      02B4 CE
0716          *
0717          * NOW START IT UP
0718          *
0719 02B5 56      SPCE3   TCX      FLAGS   ;BACK HERE FROM MOVE
      02B6 28
0720 02B7 4C      RBITM   STRT      ;CLEAR STARTUP FLAGS
0721 02B8 4D      RBITM   STRT1
0722 02B9 56      TCX      PBF       ;GET PITCH
      02BA 18
0723 02BB 04      TMA              ;INTO A
0724 02BC 56      TCX      TMVAL     ;TIME INTO X
      02BD 1F
0725 02BE 1A      START
0726 02BF 10      TXTM              ;START THINGS GOING
0727 02C0 1E      INTE              ;ENABLE THOSE INTERRUPTS
0728 02C1 61      BR       SPDE2      ;GO FILL BUFFER AGAIN
      02C2 8B

```

```

0729      *
0730      *
0731      *****
0732      * TIMER INTERRUPT ROUTINE
0733      * INTERRUPT OCCURS ONCE EACH FRAME
0734      *
0735      * TRANSFERS NEW PITCH, ENERGY, AND K VALUES TO
0736      * PROPER LOCATIONS FROM RAM, READS NEW VALUES IN
0737      * TO RAM.
0738      *
0739      * BLASTS: PTR, B,
0740      * ALL PRESENT VALUES,
0741      * ALL NEW VALUES
0742      *
0743      *****
0744 02C3 56      INT1   TCX     FLAGS
      02C4 28
0745 02C5 39      SBITM  INT     ;SET INTERRUPT FLAG
0746 02C6 40      TBITM  STP     ;LAST FRAME?
0747 02C7 63      BR      NOINT  ;BRANCH IF SO.
      02C8 37
0748 02C9 56      TCX     TMVAL  ;LOAD TIMER INTERRUPT VALUE
      02CA 1F
0749 02CB 10      TXTM
0750 02CC 56      TCX     FLAGS
      02CD 28
0751      *
0752      * MOVE NEW VALUES INTO PRESENT VALUES
0753      *
0754      * VOICING
0755      *
0756 02CE 00  T$IR1  CLA
0757 02CF 43      TBITM  UNVO   ;CHECK VOICING
0758 02D0 62      BR      SSSSS  ;BRANCH IF NOT VOICED
      02D1 D4
0759 02D2 50      ACAA   1       ;SET VOICING BIT
      02D3 01
0760 02D4 5B  SSSSS  TAV     ;PUT IT AWAY
0761      *
0762      * PITCH
0763      *
0764 02D5 56      TCX     PBF     ;GET PITCH BUFFER
      02D6 18
0765 02D7 04      TMA
0766 02D8 56      TCX     PNV     ;TELL CHIP ABOUT IT

```

```

02D9 00
0767 *
0768 02DA 09 TAM ;ZERO FOR ...
0769 *
0770 * ENERGY
0771 *
0772 02DB 56 TCX EBF ;POINT AT ENERGY BUFFER
02DC 19
0773 02DD 04 TMA ;GET ENERGY NEW VALUE
0774 02DE 56 TCX ENV
02DF 02
0775 02E0 09 TAM ;EBF # ENV
0776 *
0777 02E1 56 TCX FEBF ;POINT AT FRACTIONAL ENERGY BUFFER
02E2 24
0778 02E3 04 TMA ;GET FRACTINAL ENERGY NEW VALUE
0779 02E4 56 TCX FENV
02E5 82
0780 02E6 09 TAM ;FEBF # FENV
0781 *
0782 * K PARAMETERS
0783 *
0784 02E7 56 TCX K1BF ;POINT AT K1 BUFFER
02E8 1A
0785 02E9 04 TMA ;GET K1 NEW VALUE
0786 02EA 56 TCX K1NV
02EB 04
0787 02EC 09 TAM ;K1BF # K1NV
0788 02ED 56 TCX FK1BF ;POINT AT K1 FRACTIONAL BUFFER
02EE 25
0789 02EF 04 TMA ;GET K1 FRACTIONAL NEW VALUE
0790 02F0 56 TCX FK1NV
02F1 84
0791 02F2 09 TAM ;FK1BF # FK1NV
0792 02F3 56 TCX K2BF ;POINT AT K2 BUFFER
02F4 1B
0793 02F5 04 TMA ;GET K2 NEW VALUE
0794 02F6 56 TCX K2NV
02F7 06
0795 02F8 09 TAM ;K2BF # K2NV
0796 02F9 56 TCX FK2BF ;POINT AT K2 FRACTIONAL BUFFER
02FA 26
0797 02FB 04 TMA ;GET K2 FRACTIONAL NEW VALUE
0798 02FC 56 TCX FK2NV
02FD 86

```

| | | | | | |
|------|------|----|-----|-------|----------------------|
| 0799 | 02FE | 09 | TAM | | ;FK2BF # FK2NV |
| 0800 | 02FF | 56 | TCX | K3BF | ;POINT AT K3 BUFFER |
| | 0300 | 1C | | | |
| 0801 | 0301 | 04 | TMA | | ;GET K3 NEW VALUE |
| 0802 | 0302 | 56 | TCX | K3NV | |
| | 0303 | 08 | | | |
| 0803 | 0304 | 09 | TAM | | ;K3BF # K3NV |
| 0804 | 0305 | 56 | TCX | K4BF | ;POINT AT K4 BUFFER |
| | 0306 | 1D | | | |
| 0805 | 0307 | 04 | TMA | | ;GET K4 NEW VALUE |
| 0806 | 0308 | 56 | TCX | K4NV | |
| | 0309 | 0A | | | |
| 0807 | 030A | 09 | TAM | | ;K4BF # K4NV |
| 0808 | 030B | 56 | TCX | K5BF | ;POINT AT K5 BUFFER |
| | 030C | 1E | | | |
| 0809 | 030D | 04 | TMA | | ;GET K5 NEW VALUE |
| 0810 | 030E | 56 | TCX | K5NV | |
| | 030F | 0C | | | |
| 0811 | 0310 | 09 | TAM | | ;K5BF # K5NV |
| 0812 | 0311 | 56 | TCX | K6BF | ;POINT AT K6 BUFFER |
| | 0312 | 1F | | | |
| 0813 | 0313 | 04 | TMA | | ;GET K6 NEW VALUE |
| 0814 | 0314 | 56 | TCX | K6NV | |
| | 0315 | 0E | | | |
| 0815 | 0316 | 09 | TAM | | ;K6BF # K6NV |
| 0816 | 0317 | 56 | TCX | K7BF | ;POINT AT K7 BUFFER |
| | 0318 | 20 | | | |
| 0817 | 0319 | 04 | TMA | | ;GET K7 NEW VALUE |
| 0818 | 031A | 56 | TCX | K7NV | |
| | 031B | 10 | | | |
| 0819 | 031C | 09 | TAM | | ;K7BF # K7NV |
| 0820 | 031D | 56 | TCX | K8BF | ;POINT AT K8 BUFFER |
| | 031E | 21 | | | |
| 0821 | 031F | 04 | TMA | | ;GET K8 NEW VALUE |
| 0822 | 0320 | 56 | TCX | K8NV | |
| | 0321 | 12 | | | |
| 0823 | 0322 | 09 | TAM | | ;K8BF # K8NV |
| 0824 | 0323 | 56 | TCX | K9BF | ;POINT AT K9 BUFFER |
| | 0324 | 22 | | | |
| 0825 | 0325 | 04 | TMA | | ;GET K9 NEW VALUE |
| 0826 | 0326 | 56 | TCX | K9NV | |
| | 0327 | 14 | | | |
| 0827 | 0328 | 09 | TAM | | ;K9BF # K9NV |
| 0828 | 0329 | 56 | TCX | K10BF | ;POINT AT K10 BUFFER |
| | 032A | 23 | | | |

```

0829 032B 04      TMA          ;GET K10 NEW VALUE
0830 032C 56      TCX          K10NV
      032D 16
0831 032E 09      TAM          ;K10BF # K10NV
0832              *
0833              * INTERPOLATION
0834              *
0835 032F 56      TCX          FLAGS
      0330 28
0836 0331 44      TBITM       STRT      ;START?
0837 0332 62      BR          SPCE3    ;BRANCH IF SO
      0333 B5
0838 0334 42      TBITM       NINTP    ;INTERPOLATE?
0839 0335 B7      SBR          NOINT    ;BRANCH IF NOT
0840 0336 1E      INTE
0841 0337 2F      NOINT       RETI
0842              *
0843              * HERE FOR A STOP CODE
0844              *
0845 0338 1D      STPIT       INTD
0846 0339 1B      STOP
0847 033A 1F      RETN

```

C Program to Initialize the TSP60C20 Speech ROM

```
0001 *****
0002 * This is the Assembler Source for the *
0003 * initialization routine for the *
0004 * TSP60C20 speech ROM. It assumes that *
0005 * the desired starting byte address is *
0006 * located in an arbitrary point in *
0007 * RAM. For the purposes of checkout *
0008 * it is assumed to be at #10-#11 with *
0009 * the most significant byte of the *
0010 * address at #10 and the least *
0011 * significant byte of the address in *
0012 * #11. *
0013 * *
0014 * In actual use, the values given *
0015 * for HADDR and LADDR in the Equate *
0016 * block should be replaced so as to *
0017 * point to the actual location in RAM *
0018 * used in the program. *
0019 * *
0020 * After calling this program, you *
0021 * can use the standard synthesis *
0022 * routine. Just make sure that there *
0023 * is at least a 9 instruction cycle *
0024 * gap between each GET instruction *
0025 * *
0026 * If you need to use internal speech *
0027 * afterwards, you need to do an *
0028 * INTRM (internal ROM) instruction *
0029 * first. *
0030 * *
0031 * The strategy is as follows: *
0032 * Pulse M1 High *
0033 * Pulse M0 High *
0034 * Load the 16-bit starting ROM *
0035 * address; four bits at a time. *
0036 * Pulsing M1 high for each *
0037 * nibble. The address in *
0038 * RAM is right shifted one *
0039 * bit so as to make the address *
0040 * reflect word instead of byte *
0041 * boundaries. *
0042 * Burn 16 instruction cycles *
0043 * for ROM access cycle. *
```

```

0044      * Get 8 bits      *
0045      * Burn 9 instruction Cycles      *
0046      * If the address in RAM was odd,  *
0047      * Get 8 bits to move to          *
0048      * correct byte Boundary.         *
0049      * Get 8 bits                    *
0050      *                               *
0051      * Although the TSP60C20 is addressed on      *
0052      * word (16-bit) boundaries; the              *
0053      * address that this subroutine uses          *
0054      * is expressed in byte (8-bit)              *
0055      * boundaries. The address located at        *
0056      * HADDR and LADDR is therefore              *
0057      * shifted right one bit before being        *
0058      * loaded into the TSP60C20. If the          *
0059      * original address located contains a      *
0060      * one in the least significant bit          *
0061      * position then a GET8 instruction is      *
0062      * executed at the end to move one byte     *
0063      * further (halfway between word            *
0064      * boundaries) in memory.                   *
0065      *                               *
0066      * The address of the starting byte          *
0067      * of ROM is placed in RAM with the          *
0068      * most significant byte at HADDR and        *
0069      * the least significant byte at             *
0070      * LADDR.                                    *
0071      *                               *
0072      * This routine will be reached by a        *
0073      *                                           *
0074      * CALL INIT                                *
0075      *                                           *
0076      * instruction.                             *
0077      *                                           *
0078      * *****                               *
0079      *                                           *
0080      *                                           *
0081      * *****                               *
0082      *                                           *
0083      * Equate Block                             *
0084      *                                           *
0085      * *****                               *
0086      0010 HADDR EQU #10 -Most Significant RAM Address Byte
0087      0011 LADDR EQU #11 -Least Significant RAM Address Byte
0088      *

```



```

0089 *****
0090 *
0091 * Start Routine
0092 *
0093 *****
0094 0000 2B INIT EXTRM -Set to External ROM Mode
0095 *
0096 * Pulse M1 High
0097 *
0098 0001 00 CLA -Clear A Register
0099 0002 50 ACAA 2 -Set A = 2
0100 0003 02
0100 0004 15 TAPB -Xfer A to PB
0101 0005 00 CLA -Clear A
0102 0006 15 TAPB -Xfer A to PB
0103 *
0104 * Pulse M0 High
0105 *
0106 0007 50 ACAA 1 -Set A = 1
0107 0008 01
0107 0009 15 TAPB -Xfer A to PB
0108 000A 00 CLA -Clear A Register
0109 000B 15 TAPB -Xfer A to PB
0110 *****
0111 *
0112 * Load the least significant byte
0113 * of the ROM starting address to
0114 * the A register; then Right shift
0115 * it once to convert it to a word
0116 * address; then left shift it to
0117 * position the least significant
0118 * nibble correctly in the register
0119 * with the two least significant
0120 * bits of the register set to 0.
0121 * Then add 2 to A register to set
0122 * M1 high and transfer the result
0123 * to the PB.
0124 *
0125 *****
0126 000C 56 TCX LADDR -Point to LSB of Address
0127 000D 11
0127 000E 04 TMA -Xfer 8 bit Address

```

```

0128 000F 18          SARA          -Shift A register Right
0129 0010 19          SALA          -Shift A register Left
0130 0011 19          SALA          -Shift A register Left
0131 0012 50          ACAA      2          -Set M1 High
      0013 02
0132 0014 15          TAPB          -Xfer A to PB
0133 *****
0134 *
0135 * Add hex >0FE to A register to set M1 *
0136 * to 0 then transfer the result to *
0137 * PB. *
0138 * *
0139 *****
0140 0015 50          ACAA      #0FE      -Set M1 Low
      0016 FE
0141 0017 15          TAPB          -Xfer A to PB
0142 *
0143 *****
0144 *
0145 * Load the least significant byte *
0146 * of the ROM starting address to *
0147 * the A register; then right shift *
0148 * it five times and then left shift *
0149 * it twice to position the upper *
0150 * three bits of the address byte *
0151 * correctly in the A register. *
0152 * Then add 2 to A register to set *
0153 * M1 high. *
0154 * *
0155 * The least significant bit of the *
0156 * other byte of the address word *
0157 * will still need to be transferred *
0158 * to the most significant bit of this *
0159 * word before it can be transferred *
0160 * to the PB. *
0161 * *
0162 *****
0163 0018 04          TMA          -Xfer 8 bit Address to A Register
0164 0019 18          SARA          -Shift A register right
0165 001A 18          SARA          -Shift A register right
0166 001B 18          SARA          -Shift A register right
0167 001C 18          SARA          -Shift A register right
0168 001D 18          SARA          -Shift A register right
0169 001E 19          SALA          -Shift A register Left
0170 001F 19          SALA          -Shift A register Left

```

```

0171 0020 56          TCX    HADDR  -Point to MSB of Address
      0021 10
0172 *****
0173 *
0174 * This block of code is used to move
0175 * last bit of the least significant
0176 * byte of the ROM address to the
0177 * to the most significant bit of the
0178 * least significant byte of the ROM
0179 * address. This is necessary as we
0180 * right shift the two bytes across
0181 * byte boundaries.
0182 *
0183 *****
0184 0022 40          TBITM    1    -Is LSB of Byte=1?
0185 0023 60          BR      ONE    -If Yes, Set Bit
      0024 27
0186 0025 60          BR      ZERO   -If No, No action
      0026 29
0187 0027 50  ONE     ACAA    32    -Set Bit if necessary
      0028 20
0188 0029 50  ZERO   ACAA    2     -Set M1 High
      002A 02
0189 002B 15          TAPB          -Xfer A to PB
0190 *****
0191 *
0192 * Add hex >0FE to A register to set M1
0193 * to 0 then transfer the result to
0194 * PB.
0195 *
0196 *****
0197 002C 50          ACAA    #0FE   -Set M1 Low
      002D FE
0198 002E 15          TAPB          -Xfer A to PB
0199 *
0200 *****
0201 *
0202 * Load the most significant byte
0203 * of the ROM starting address to
0204 * the A register; then right shift
0205 * it once to convert it to a word
0206 * address; then left shift it to
0207 * position the least significant
0208 * nibble correctly in the register
0209 * with the two least significant

```

```

0210          * bits of the register set to 0.          *
0211          * Then add 2 to A register to set          *
0212          * M1 high and transfer the result          *
0213          * to the PB. *
0214          *
0215          *
0216 002F 04          TMA          -Xfer 8 bit Address to A Register
0217 0030 18          SARA          -Truncate Last Bit (Already Loaded)
0218 0031 19          SALA          -Shift A register Left
0219 0032 19          SALA          -Shift A register Left
0220 0033 50          ACAA  2          -Set M1 High
0221 0034 02
0221 0035 15          TAPB          -Xfer A to PB
0222          *
0223          *
0224          * Add hex 0FE to A register to set M1          *
0225          * to 0 then transfer the result to          *
0226          * PB.          *
0227          *
0228          *
0229          *
0230 0036 50          ACAA  #0FE          -Set M1 Low
0231 0037 FE
0231 0038 15          TAPB          -Xfer A to PB
0232          *
0233          *
0234          * Load the most significant byte          *
0235          * of the ROM starting address to          *
0236          * the A register; then right shift          *
0237          * it five times and then left shift          *
0238          * it twice to position the upper          *
0239          * three bits of the address byte          *
0240          * correctly in the A register.          *
0241          * Then add 2 to A register to set          *
0242          * M1 high and transfer the result          *
0243          * to the PB.          *
0244          *
0245          *
0246 0039 04          TMA          -Xfer 8 bit Address to A Register
0247 003A 18          SARA          -Shift A register right
0248 003B 18          SARA          -Shift A register right
0249 003C 18          SARA          -Shift A register right
0250 003D 18          SARA          -Shift A register right
0251 003E 18          SARA          -Shift A register right

```

```

0252 003F 19          SALA          -Shift A register Left
0253 0040 19          SALA          -Shift A register Left
0254 0041 50          ACAA      2          -Set M1 High
      0042 02
0255 0043 15          TAPB          -Xfer A to PB
0256          *
0257          *****
0258          *
0259          * Add hex >0FE to A register to set M1
0260          * to 0 then transfer the result to
0261          * PB.
0262          *
0263          *****
0264          *
0265 0044 50          ACAA      #0FE      -Set M1 Low
      0045 FE
0266 0046 15          TAPB          -Xfer A to PB
0267          *
0268          *****
0269          *
0270          * Burn 16 Instruction cycles for the
0271          * TSP60C20 internal access cycle.
0272          *
0273          *****
0274 0047 00          CLA          -Clear A register
0275 0048 50          BRN16  ACAA      1          -Increment A register
      0049 01
0276 004A 54          ANEC      5          -Has Loop timed out?
      004B 05
0277 004C 60          BR          BRN16      -If not timed out, repeat
      004D 48
0278          *
0279          *****
0280          *
0281          * Load 8 Bits
0282          *
0283          *****
0284 004E 27          GET          8
0285          *
0286          *****
0287          *
0288          * Burn 9 Instruction cycles
0289          * (Actually burns 10 cycles)
0290          *
0291          *****

```

```

0292          *
0293 004F 00          CLA          -Clear A register
0294 0050 50  LOOP   ACAA    1      -Increment A register
      0051 01
0295 0052 54          ANEC    3      -Has Loop timed out?
      0053 03
0296 0054 60          BR      LOOP   -If no, repeat
      0055 50

0297          *
0298          *****
0299          *
0300          *
0301          * This Block of code inserts an
0302          * extra Get8 instruction if the
0303          * Address in ROM is odd so as
0304          * to shift the data to the Byte
0305          * Boundary.
0306          *
0307          *****
0308 0056 56          TCX      LADDR  -Point to LSB of Address
      0057 11
0309 0058 40          TBITM   1      -Is LSB of Byte=1?
0310 0059 60          BR      ODD    -If Yes, ODD
      005A 5D
0311 005B 60          BR      LEGAL  -Else LEGAL
      005C 65
0312 005D 27  ODD    GET      8      -Move to Odd Boundary
0313          *****
0314          *
0315          * Burn 9 Instruction cycles
0316          * (Actually burns 10 cycles)
0317          *
0318          *****
0319          *
0320 005E 00          CLA          -Clear A register
0321 005F 50  BRN09  ACAA    1      -Increment A register
      0060 01
0322 0061 54          ANEC    3      -Has Loop timed out?
      0062 03
0323 0063 60          BR      BRN09  -If no, repeat
      0064 5F

0324          *
0325          * Load 8 Bits
0326          *
0327 0065 27  LEGAL  GET      8      -Next GET8 will give Legal Data

```

```

0328 *****
0329 *
0330 * Burn 9 Instruction cycles *
0331 * (Actually burns 10 cycles) *
0332 *
0333 *****
0334 *
0335 0066 00          CLA          -Clear A register
0336 0067 50  BRN10  ACAA    1    -Increment A register
      0068 01
0337 0069 54          ANEC    3    -Has Loop timed out?
      006A 03
0338 006B 60          BR      BRN10 -If no, repeat
      006C 67
0339 *
0340 *
0341 *
0342 006D 1F          RETN          -Exit Subroutine

```


TI North American Sales Offices

ALABAMA: Huntsville: (205) 837-7530
ARIZONA: Phoenix: (602) 995-1007
CALIFORNIA: Irvine: (714) 660-1200
 Roseville: (916) 786-9208
 San Diego: (619) 278-9601
 Santa Clara: (408) 980-9000
 Woodland Hills: (818) 704-8100
COLORADO: Aurora: (303) 368-9000
CONNECTICUT: Wallingford: (203) 269-0074
FLORIDA: Altamonte Springs: (407) 260-2116
 Fort Lauderdale: (305) 973-8502
 Tampa: (813) 882-0017
GEORGIA: Norcross: (404) 662-7900
ILLINOIS: Arlington Heights: (708) 640-3000
INDIANA: Carmel: (317) 573-6400
 Fort Wayne: (219) 482-3311
IOWA: Cedar Rapids: (319) 395-9551
KANSAS: Overland Park: (913) 451-4511
MARYLAND: Columbia: (301) 964-2003
MASSACHUSETTS: Waltham: (617) 895-9100
MICHIGAN: Farmington Hills: (313) 553-1500
 Grand Rapids: (616) 957-4202
MINNESOTA: Eden Prairie: (612) 826-9300
MISSOURI: St. Louis: (314) 821-8400
NEW JERSEY: Iselin: (201) 750-1050
NEW MEXICO: Albuquerque: (505) 291-0495
NEW YORK: East Syracuse: (315) 463-9291
 Fishkill: (914) 897-2900
 Melville: (516) 454-6600
 Pittsford: (716) 385-6770
NORTH CAROLINA: Charlotte: (704) 527-0930
 Raleigh: (919) 876-2725
OHIO: Beachwood: (216) 464-6100
 Beavercreek: (513) 427-6200
OREGON: Beaverton: (503) 643-6758
PENNSYLVANIA: Blue Bell: (215) 825-9500
PUERTO RICO: Hato Rey: (809) 753-8700
TEXAS: Austin: (512) 250-7655
 Dallas: (214) 917-1264
 Houston: (713) 778-6592
UTAH: Salt Lake City: (801) 466-8973
WASHINGTON: Redmond: (206) 881-3080
WISCONSIN: Waukesha: (414) 798-1001
CANADA: Nepean: (613) 726-1970
 Richmond Hill: (416) 884-9181
 St. Laurent: (514) 335-8392

TI Regional Technology Centers

CALIFORNIA: Irvine: (714) 660-8140
 Santa Clara: (408) 748-2220
GEORGIA: Norcross: (404) 662-7950
ILLINOIS: Arlington Heights: (708) 884-2909
INDIANA: Indianapolis: (317) 573-6400
MASSACHUSETTS: Waltham: (617) 895-9196
MEXICO: Mexico City: 491-70834
MINNESOTA: Minneapolis: (612) 828-9300
TEXAS: Dallas: (214) 917-3881
CANADA: Nepean: (613) 726-1970

Customer Response Center

TOLL FREE: (800) 336-5236
 OUTSIDE USA: (214) 995-6611
 (8:00 a.m. - 5:00 p.m. CST)

TI Authorized North American Distributors

Alliance Electronics, Inc. (military product only)
 Almac Electronics
 Arrow/Kierulff Electronics Group
 Arrow (Canada)
 Future Electronics (Canada)
 GRS Electronics Co., Inc.
 Hall-Mark Electronics
 Lex Electronics
 Marshall Industries
 Newark Electronics
 Wyle Laboratories
 Zeus Components
 Rochester Electronics, Inc. (obsolete product only) (508) 462-9332

TI Distributors

ALABAMA: Arrow/Kierulff (205) 837-6955;
 Hall-Mark (205) 837-8700; Marshall (205)
 881-9235; Lex (205) 895-0480.
ARIZONA: Arrow/Kierulff (602) 437-0750;
 Hall-Mark (602) 437-1200; Marshall (602)
 496-0290; Lex (602) 431-0030; Wyle (602)
 437-2088.
CALIFORNIA: Los Angeles/Orange County:
 Arrow/Kierulff (818) 701-7500, (714) 838-5422;
 Hall-Mark (818) 773-4500, (714) 727-6000;
 Marshall (818) 407-4100, (714) 458-5301; Lex
 (818) 880-9686, (714) 863-0200; Wyle (818)
 880-9000, (714) 863-9953; Zeus (714) 921-9000
 (818) 889-3838.
 Sacramento: Hall-Mark (916) 624-9781;
 Marshall (916) 635-9700; Lex (916) 364-0230;
 Wyle (916) 638-5282.
San Diego: Arrow/Kierulff (619) 565-4800;
 Hall-Mark (619) "8-1201; Marshall (619)"
 578-9600; Wyle (619) "495-0015; Wyle (619)
 565-9171; Zeus (619) 277-9681;
San Francisco Bay Area: Arrow/Kierulff (408)
 441-9700; H. Mark (408) 432-4000; Marshall
 (408) 942-4100; Lex (408) 432-7171; Wyle (408)
 727-2500; Zeus (408) 629-4789.
COLORADO: Arrow/Kierulff (303) 373-5616;
 Hall-Mark (303) 790-1652; Marshall (303)
 451-8383; Lex (303) 799-0258; Wyle (303)
 457-9953.
CONNECTICUT: Arrow/Kierulff (203) 265-7741;
 Hall-Mark (203) 271-2844; Marshall (203)
 265-3822; Lex (203) 264-4700.
FLORIDA: Fort Lauderdale: Arrow/Kierulff
 (305) 429-8200; Hall-Mark (305) 971-9280;
 Marshall (305) 977-4680; Lex (305) 977-7511;
Orlando: Arrow/Kierulff (407) 333-9300;
 Hall-Mark (407) 830-5855; Marshall (407)
 767-8585; Lex (407) 331-7555; Zeus (407)
 365-3000;
Tampa: Hall-Mark (813) 541-7440; Marshall
 (813) 573-1399; Lex (813) 541-5100.
GEORGIA: Arrow/Kierulff (404) 497-1300;
 Hall-Mark (404) 623-4400; Marshall (404)
 923-5750; Lex (404) 449-9170.
ILLINOIS: Arrow/Kierulff (708) 250-0500;
 Hall-Mark (708) 860-3800; Marshall (708)
 490-0155; Newark (312) 784-5100; Lex (708)
 330-2888.
INDIANA: Arrow/Kierulff (317) 299-2071;
 Hall-Mark (317) 872-8875; Marshall (317)
 297-0483; Lex (317) 843-1050.

IOWA: Arrow/Kierulff (319) 395-7230; Lex (319)
 373-1417.
KANSAS: Arrow/Kierulff (913) 541-9542;
 Hall-Mark (913) 888-4747; Marshall (913)
 492-3121; Lex (913) 492-2922.
MARYLAND: Arrow/Kierulff (301) 995-6002;
 Hall-Mark (301) 988-9600; Marshall (301)
 622-1118; Lex (301) 596-7800; Zeus (301)
 997-1118.
MASSACHUSETTS: Arrow/Kierulff (508)
 658-0900; Hall-Mark (508) 667-0902; Marshall
 (508) 658-0810; Lex (508) 694-9100; Wyle (617)
 272-7300; Zeus (617) 863-9800.
MICHIGAN: Detroit: Arrow/Kierulff (313)
 462-2290; Hall-Mark (313) 462-1205; Marshall
 (313) 525-5850; Newark (313) 967-0600; Lex
 (313) 525-8100;
Grand Rapids: Arrow/Kierulff (616) 243-0912.
MINNESOTA: Arrow/Kierulff (612) 830-1800;
 Hall-Mark (612) 941-2600; Marshall (612)
 559-2211; Lex (612) 941-5280.
MISSOURI: Arrow/Kierulff (314) 567-6888;
 Hall-Mark (314) 291-5350; Marshall (314)
 291-4650; Lex (314) 739-0526.
NEW HAMPSHIRE: Lex (800) 833-3557.
NEW JERSEY: Arrow/Kierulff (201) 538-0900,
 (609) 596-8000; GRS (609) 964-6660; Hall-Mark
 (201) 515-3000; (609) 235-1900; Marshall (201)
 882-0320; (609) 234-9100; Lex (201) 227-7880,
 (609) 273-7900.
NEW MEXICO: Alliance (505) 292-3360.
NEW YORK: Long Island: Arrow/Kierulff (516)
 231-1000; Hall-Mark (516) 737-0600; Marshall
 (516) 273-2424; Lex (516) 231-2500; Zeus (914)
 393-7400;
Rochester: Arrow/Kierulff (716) 427-0300;
 Hall-Mark (716) 425-3300; Marshall (716)
 235-7620; Lex (716) 383-8020;
Syracuse: Marshall (607) 798-1611.
NORTH CAROLINA: Arrow/Kierulff (919)
 876-3132; (919) 725-8711; Hall-Mark (919)
 876-0712; Marshall (919) 878-9882; Lex (919)
 872-0000.
OHIO: Cleveland: Arrow/Kierulff (216)
 248-3990; Hall-Mark (216) 349-4632; Marshall
 (216) 248-1788; Lex (216) 464-2970;
Columbus: Hall-Mark (614) 888-3313;
Dayton: Arrow/Kierulff (513) 435-5563; Marshall
 (513) 898-4480; Lex (513) 439-1800; Zeus (513)
 239-6162.
OKLAHOMA: Arrow/Kierulff (918) 252-7537;
 Hall-Mark (918) 254-6110; Lex (918) 622-8000.
OREGON: Almac (503) 629-8090; Arrow/Kierulff
 (503) 627-7667; Marshall (503) 644-5050; Wyle
 (503) 643-7900.
PENNSYLVANIA: Arrow/Kierulff (215) 928-1800;
 GRS (215) 922-7037; Marshall (412) 788-0441;
 Lex (412) 963-6804.
TEXAS: Austin: Arrow/Kierulff (512) 835-4180;
 Hall-Mark (512) 258-8848; Lex (512) 339-0088;
 Wyle (512) 345-8853.
Dallas: Arrow/Kierulff (214) 380-6464; Hall-Mark
 (214) 553-4300; Marshall (214) 233-5200; Lex
 (214) 247-6300; Wyle (214) 235-9953; Zeus
 (214) 783-7010;
Houston: Arrow/Kierulff (713) 530-4700;
 Hall-Mark (713) 781-6100; Marshall (713)
 895-9200; Lex (713) 784-3600; Wyle (713)
 879-9953.
UTAH: Arrow/Kierulff (801) 973-6913; Marshall
 (801) 485-1551; Wyle (801) 974-9953.
WASHINGTON: Almac (206) 643-9992, (509)
 924-9500; Arrow/Kierulff (206) 643-4800;
 Marshall (206) 486-5747; Wyle (206) 881-1150.
WISCONSIN: Arrow/Kierulff (414) 792-0150;
 Hall-Mark (414) 797-7844; Marshall (414)
 797-8400; Lex (414) 784-9451.
CANADA: Calgary: Future (403) 235-5325;
 Edmonton: Future (403) 438-2858;
Montreal: Arrow Canada (514) 735-5511; Future
 (514) 694-7710; Marshall (514) 694-8142;
Ottawa: Arrow Canada (613) 226-6903; Future
 (613) 820-8313; **Quebec City:** Arrow Canada
 (418) 871-7500;
Toronto: Arrow Canada (416) 670-7769; Future
 (416) 612-9200; Marshall (416) 458-8046;
Vancouver: Arrow Canada (604) 421-2333;
 Future (604) 294-1166.



TEXAS INSTRUMENTS

TI Worldwide Sales Offices

ALABAMA: Huntsville: 4960 Corporate Drive, Suite N-150, Huntsville, AL 35805-6202, (205) 837-7530.

ARIZONA: Phoenix: 8825 N. 23rd Avenue, Suite 100, Phoenix, AZ 85021, (602) 995-1007.

CALIFORNIA: Irvine: 1920 Main Street, Suite 900, Irvine, CA 92714, (714) 660-1200; Roseville: 1 Sierra Gate Plaza, Suite 255B, Roseville, CA 95678, (916) 786-9208; San Diego: 5625 Ruffin Road, Suite 100, San Diego, CA 92123, (619) 278-9601; Santa Clara: 5363 Betsy Ross Drive, Santa Clara, CA 95054, (408) 980-9000; Woodland Hills: 21550 Oxford Street, Suite 700, Woodland Hills, CA 91367, (818) 704-8100.

COLORADO: Aurora: 1400 S. Potomac Street, Suite 101, Aurora, CO 80012, (303) 368-8000.

CONNECTICUT: Wallingford: 9 Barnes Industrial Park So., Wallingford, CT 06492, (203) 269-0074.

FLORIDA: Altamonte Springs: 370 S. North Lake Boulevard, Suite 1008, Altamonte Springs, FL 32701, (407) 260-2116; Fort Lauderdale: 2950 N.W. 62nd Street, Suite 100, Fort Lauderdale, FL 33309, (305) 973-8502; Tampa: 4803 George Road, Suite 900, Tampa, FL 33634-6234, (813) 882-0017.

GEORGIA: Norcross: 5515 Spalding Drive, Norcross, GA 30092, (404) 662-7900.

ILLINOIS: Arlington Heights: 515 W. Algonquin, Arlington Heights, IL 60005, (708) 640-3000.

INDIANA: Carmel: 550 Congressional Drive, Suite 100, Carmel, IN 46032, (317) 573-6400; Fort Wayne: 118 E. Ludwig Road, Suite 102, Fort Wayne, IN 46825, (219) 482-3311.

IOWA: Cedar Rapids: 373 Collins Road N.E., Suite 201, Cedar Rapids, IA 52402, (319) 395-9551.

KANSAS: Overland Park: 7300 College Boulevard, Lighton Plaza, Suite 150, Overland Park, KS 66210, (913) 451-4511.

MARYLAND: Columbia: 8815 Centre Park Drive, Suite 100, Columbia, MD 21045, (301) 964-2003.

MASSACHUSETTS: Waltham: 950 Winter Street, Suite 2800, Waltham, MA 02154, (617) 895-9100.

MICHIGAN: Farmington Hills: 33737 W. 12 Mile Road, Farmington Hills, MI 48331, (313) 553-1500; Grand Rapids: 3075 Orchard Vista Drive S.E., Grand Rapids, MI 49506, (616) 957-4202.

MINNESOTA: Eden Prairie: 11000 W. 78th Street, Suite 100, Eden Prairie, MN 55344, (612) 828-9300.

MISSOURI: St. Louis: 12412 Powerscourt Drive, Suite 125, St. Louis, MO 63131, (314) 821-9400.

NEW JERSEY: Iselin: Parkway Towers, 485E. Route 1 South, Iselin, NJ 08830, (201) 750-1050.

NEW MEXICO: Albuquerque: 1224 Parsons Court, N.E., Albuquerque, NM 87112, (505) 291-0495.

NEW YORK: East Syracuse: 6365 Collamer Drive, East Syracuse, NY 13057, (315) 463-9291; Fishkill: 300 Westage Business Center, Suite 140, Fishkill, NY 12524, (914) 897-2900; Melville: 1935 West Whitman Road, P.O. Box 2936, Melville, NY 11747, (516) 454-6600; Pittsford: 2851 Clover Street, Pittsford, NY 14534, (716) 385-6770.

NORTH CAROLINA: Charlotte: 8 Woodlawn Green, Suite 100, Charlotte, NC 28217, (704) 527-9030; Raleigh: 2809 Highwoods Boulevard, Suite 100, Raleigh, NC 27625, (919) 876-2725.

OHIO: Beachwood: 23775 Commerce Park Road, Beachwood, OH 44122, (216) 464-6100; Beaver Creek: 4200 Colonel Glenn Highway, Suite 600, Beaver Creek, OH 45311, (513) 427-6200.

OREGON: Beaverton: 6700 S.W. 105th Street, Suite 110, Beaverton, OR 97005, (503) 643-6758.

PENNSYLVANIA: Blue Bell: 670 Sentry Parkway, Blue Bell, PA 19422, (215) 825-9500.

PUERTO RICO: Hato Rey: 615 Merchant Plaza Building, Suite 505, Hato Rey, PR 00918, (809) 753-8700.

TEXAS: Austin: 12501 Research Boulevard, Austin, TX 78759, (512) 250-7655; Dallas: 7839 Churchill Way, Dallas, TX 75251, (214) 917-1264; Houston: 9301 Southwest Freeway, Suite 360, Houston, TX 77074, (713) 778-6592.

UTAH: Salt Lake City: 1800 S. West Temple Street, Suite 201, Salt Lake City, UT 84115, (801) 466-8973.

WASHINGTON: Redmond: 5010 148th Avenue N.E., Building B, Suite 107, Redmond, WA 98052, (206) 881-3080.

WISCONSIN: Waukesha: 20825 Swenson Drive, Suite 900, Waukesha WI 53186, (414) 798-1001.

CANADA: Nepean: 301 Moodie Drive, Mallorn Centre, Suite 102, Nepean, Ontario, Canada K2H 9C4, (613) 726-1970; Richmond Hill: 280 Centre Street East, Richmond Hill, Ontario, Canada L4C 1B1, (416) 884-9181; St. Laurent: 9460 Trans Canada Highway, St. Laurent, Quebec, Canada H4S 1R7, (514) 335-8392.

ARGENTINA: Texas Instruments Argentina Via Montevideo 1119, 1053 Capital Federal, Buenos Aires, Argentina, 1748-3694.

AUSTRALIA (& NEW ZEALAND): Texas Instruments Australia Ltd., 6-10 Talavera Road, North Ryde (Sydney), New South Wales, Australia 2113, 2-878-9000; 5th Floor, 418 Street, Kilda Road, Melbourne, Victoria, Australia 3004, 3 267-4677; 171 Philip Highway, Elizabeth, South Australia 512, 8 255-2638.

AUSTRIA: Texas Instruments GmbH, Hietzinger Kai 101-105, A-1130 Wien, (0222) 9100-0.

BELGIUM: S.A. Texas Instruments Belgium N.V., 11, Avenue Jules Bordetlaan 11, 1140 Brussels, Belgium, (02) 242 30 80.

BRAZIL: Texas Instruments Electronicos do Brasil Ltda., Rua Paes Leme, 524-7 Andar, Pinheiros, 05424 Sao Paulo, Brazil, 0815-6166.

DENMARK: Texas Instruments A/S, Borupvang 22, DK-2750 Ballerup, (44) 68 7400.

FINLAND: Texas Instruments OY, P.O. Box 86, 02221 Espoo, Finland, (0) 802 6517.

FRANCE: Texas Instruments France, 8-10 Avenue Morane Saulnier-B.P. 67, 91411 Velizy-Villacoublay cedex, France, (1) 30 70 10 03.

GERMANY: Texas Instruments Deutschland GmbH, Haggertystrasse 1, 8050 Freising, (0816) 80-0 od. Nbst; Kurfürstendamm 195-196, 1000 Berlin 15, (030) 8 82 73 65; Düsseldorforfer Strasse 40, 6236 Eschborn 1, (06196) 80 70; Kirchhorster Strasse 2, 3000 Hannover 51, (0511) 64 68-0; Maybachstrasse II, 7302 Ostfildern 2 (Nellingen), (0711) 34 03-0; Gildhofercenter, Hollestrasse 3, 4300 Essen 1, (0201) 24 25-0.

HOLLAND: Texas Instruments Holland B.V., Hogehilweg 19, Postbus 12995, 1100 AZ Amsterdam-Zuidoost, Holland, (020) 5602911.

HONG KONG: Texas Instruments Hong Kong Ltd., 8th Floor, World Shipping Center, 7 Canton Road, Kowloon, Hong Kong, 735 1223.

HUNGARY: Texas Instruments International, Budaorsi u.42, H-1112 Budapest, Hungary, (1) 66 66 17.

IRELAND: Texas Instruments Ireland Ltd., 7/8 Harcourt Street, Dublin 2, Ireland, (01) 755233.

ITALY: Texas Instruments Italia S.p.A., Centro Direzionale Colleoni, Palazzo Perseo-Via Paracelso, 12, 20041, Agrate Brianza (Mi), (039) 83221; Via Castello della Magliana, 38, 00148 Roma, (06) 5222651; Via Amendola, 17, 40100 Bologna, (051) 554004.

JAPAN: Texas Instruments Japan Ltd., Aoyama Fuji Building 3-6-12 Kita-aoyama Minato-ku, Tokyo, Japan 107, 03-3498-2111; MS Shibaura Building 9F, 4-13-23 Shibaura, Minato-ku, Tokyo, Japan 108, 03-3769-8700; Nishio-1wai Building 5F, 2-5-1 Imabashi, Chuo-ku, Osaka, Japan 541, 06-204-1881; Dai-ni Toyota Building Nishi-kan 7F, 4-10-27 Meieki, Nakamura-ku, Nagoya, Japan 450, 052-583-8691; Kanazawa Oyama-cho Daichi Seimei Building 6F, 3-10

Oyama-cho, Kanazawa, Ishikawa, Japan 920, 0762-23-5471; Matsumoto Showa Building 6F, 1-2-11 Fukashi, Matsumoto, Nagano, Japan 390, 0263-33-1060; Daichi Olympic Tachikawa Building 6F, 1-25-12, Akabono-cho, Tachikawa, Tokyo, Japan 190, 0425-27-6760; Yokohama Nishiguchi KN Building 6F, 2-8-4 Kita-Saiwai, Nishi-Ku, Yokohama, Kanagawa, Japan 220, 045-322-6741; Nihon Seimei Kyoto Yasaka Building 5F, 843-2, Hgashi Shiohokicho, Higashi-ku, Nishinomiya-shi, Shiohokicho-dori, Shimogyo-ku, Kyoto, Japan 600, 075-341-7713; Sumitomo Seimei Kumagaya Building 6F, 2-44

Yayoi, Kumagaya, Saitama, Japan 360, 0485-22-2440; 2597-1, Aza Harudai, Oaza Yasaka, Kitsuiki, Oita, Japan 873, 09786-3-3211.

KOREA: Texas Instruments Korea Ltd., 28th Floor, Trade Tower, 159-1, Samsung-Dong, Kangnam-ku Seoul, Korea, 2 551 2800.

MEXICO: Texas Instruments de Mexico S.A., Alfonso Reyes 115, Col. Hipodromo Condesa, Mexico, D.F., Mexico 06120, 5/525-3860.

MIDDLE EAST: Texas Instruments, No. 13, 1st Floor Mannai Building, Diplomatic Area, P.O. Box 26335, Manama Bahrain, Arabian Gulf, 973 274681.

NORWAY: Texas Instruments Norge A/S, PB 106, Refstad (Sinsenveien 53), 0513 Oslo 5, Norway, (02) 155090.

PEOPLE'S REPUBLIC OF CHINA: Texas Instruments China Inc., Beijing Representative Office, 7-05 CITIC Building, 19 Jianguomenwai Dajie, Beijing, China, 900-2255, Ext. 3750.

PHILIPPINES: Texas Instruments Asia Ltd., Philippines Branch, 14th Floor, Ba-Lepanto Building, Paseo de Roxas, Makati, Metro Manila, Philippines, 2 817 6031.

PORTUGAL: Texas Instruments Equipamento Electronico (Portugal) LDA, 2550 Moreira Da Maia, 4470 Maia, Portugal (2) 948 1003.

SINGAPORE (& INDIA, INDONESIA, MALAYSIA, THAILAND): Texas Instruments Singapore (PTE) Ltd., Asia Pacific Division, 101 Thomson Road, #23-01, United Square, Singapore 1130, 350 8100.

SPAIN: Texas Instruments España S.A., c/Oubelas 43, Ctra de La Coruna km. 14, La Florida, 28025 Madrid, Spain, (1) 372 8051; c/Duplicor, 279-3-5, 08007 Barcelona, Spain, (3) 317 91 80.

SWEDEN: Texas Instruments International Trade Corporation (Sverigefilialen), Box 30, S-164 93 Kista, Sweden, (08) 752 58 00.

SWITZERLAND: Texas Instruments Switzerland AG, Riedstrafse 6, CH-8953 Dietikon, Switzerland, (01) 74 42 811.

TAIWAN: Texas Instruments Supply Company, Taiwan Branch, Room 903, 9th Floor, Bank Tower, 205 Tung Hua N. Road, Taipei, Taiwan, Republic of China, 2 713 9311.

UNITED KINGDOM: Texas Instruments Ltd., Manton Lane, Bedford, England, MK41 7PA, (0234) 270 111.

TI Authorized North American Distributors

Alliance Electronics, Inc. (military product only)

Almac Electronics

Arrow/Kierulf Electronics Group

Arrow (Canada)

Future Electronics (Canada)

GRS Electronics Co., Inc.

Hall-Mark Electronics

Lex Electronics

Marshall Industries

Newark Electronics

Wyle Laboratories

Zeus Components

Rochester Electronics, Inc. (obsolete product only)



TEXAS INSTRUMENTS

